



4054
GRAPHIC COMPUTING
SYSTEM
PARTS AND SCHEMATICS
SERVICE MANUAL

Tektronix, Inc.
P.O. Box 500
Beaverton, Oregon 97077

MANUAL PART NO.
070-2839-00

First Printing JUL 1979
This Printing FEB 1980

WARNING

THE FOLLOWING SERVICING INSTRUCTIONS ARE FOR USE BY QUALIFIED PERSONNEL ONLY. TO AVOID PERSONAL INJURY, DO NOT PERFORM ANY SERVICING OTHER THAN THAT CONTAINED IN OPERATING INSTRUCTIONS UNLESS YOU ARE QUALIFIED TO DO SO.

Copyright © 1979 by Tektronix, Inc., Beaverton, Oregon.
Printed in the United States of America. All rights reserved.
Contents of this publication may not be reproduced in any form without permission of Tektronix, Inc.

This instrument, in whole or in part, may be protected by one or more U.S. or foreign patents or patent applications. Information provided on request by Tektronix, Inc., P.O. Box 500, Beaverton, Oregon 97077.

TEKTRONIX is a registered trademark of Tektronix, Inc.

PRODUCT 4054 Graphic Computing System

This manual supports the following versions of this product: Serial Nos. B010100 and up

MANUAL REVISION STATUS

REV.	DATE	DESCRIPTION
@	7/79	Original Issue
A	2/80	Revised Pages

CONTENTS

Section		Page
Section 1	INTRODUCTION	
	About the Manual.....	1-1
	Abbreviations.....	1-1
	System Concepts.....	1-2
Section 2	SHORT FORM CALIBRATION PROCEDURE	
	General Information.....	2-1
	Equipment Required.....	2-1
	Line Voltage Selection.....	2-1
	Cabinet Removal.....	2-3
	Power Supply Calibration.....	2-3
	Storage Circuitry Adjustments.....	2-7
	CRT Display Adjustments.....	2-10
	Vector Generator Adjustments.....	2-14
	Deflection Amplifier Adjustments.....	2-15
	Hard Copy Adjustments.....	2-16
	Tape Drive Calibration.....	2-17
Section 3	CONNECTORS AND WIRE HARNESS	
Section 4	SIGNAL NAME CROSS REFERENCE AND DESCRIPTION	
Section 5	REPLACEABLE ELECTRICAL PARTS	
Section 6	DIAGRAMS AND SCHEMATICS	
Section 7	REPLACEABLE MECHANICAL PARTS	

ILLUSTRATIONS

Figure	Description	Page
1-1	TEKTRONIX 4054 Graphic Computing System.....	iv
1-2	4054 Memory Address Allocation Map.....	1-3
1-3	4054 I/O Addresses.....	1-4
2-1	Line Voltage Selector.....	2-2
2-2	4054 Cover Removal Procedure.....	2-4
2-3	Power Supply Check Points.....	2-5
2-4	+15V Adjustment Points.....	2-5
2-5	I/O Voltage Points.....	2-6
2-6	Storage Board Adjustment Points.....	2-8
2-7	High Voltage and Z Axis Board.....	2-10
2-8	Deflection Amplifier Board Adjustment Points...	2-12
2-9	Hard Copy Amplifier Threshold Adjustment.....	2-17
2-10	Tape Drive Checkpoints and Adjustments.....	2-18
2-11	Magnetic Tape Skew Waveforms.....	2-20
2-12	Magnetic Tape Signal for Tape Head Height Adjustments.....	2-21
3-1	4054 Cabling Diagram.....	3-2



1940-203

Figure 1-1. TEKTRONIX 4054 Graphic Computing System.

Section 1

INTRODUCTION

ABOUT THE MANUAL

The service documentation for the 4054 Graphic Computing System consists of the following manuals:

4052/4054 Technical Data Service Manual

4054 Parts and Schematics Service Manual

The Technical Data Service Manual contains detailed information on the 4054 Graphic Computing System, including assembly/disassembly procedures and theory of operation. The 4054 Parts and Schematics Manual contains schematics, replaceable parts information, cables and wiring, signal definition, cross references, and an adjustment procedure. The adjustment procedure is a reference for service personnel who are familiar with the procedure. Refer to the 4052/4054 Technical Data Service Manual for detailed information on the adjustment procedure.

Service information for the following options are included in this manual and in the 4052/4054 Technical Data Service Manual.

4052 Option 1, Data Communications Interface

4052 Option 2, Four Slot ROM Backpack

4052 Option 3, Data Communications Interface, 4 Slot

4052 ROM Packs

ABBREVIATIONS

The following is a list of some of the abbreviations used in this manual:

ALU	Arithmetic Logic Unit
crt	Cathode Ray Tube (same as DVST)
DVST	Direct View Storage Tube (same as crt)
FPLA	Field Programmable Logic Array
GPIB	General Purpose Interface Bus
I/O	Input or Output
MAS	Memory Access Sequencer
MCP	Memory Command Processor
PIA	Peripheral Interface Adapter

INTRODUCTION

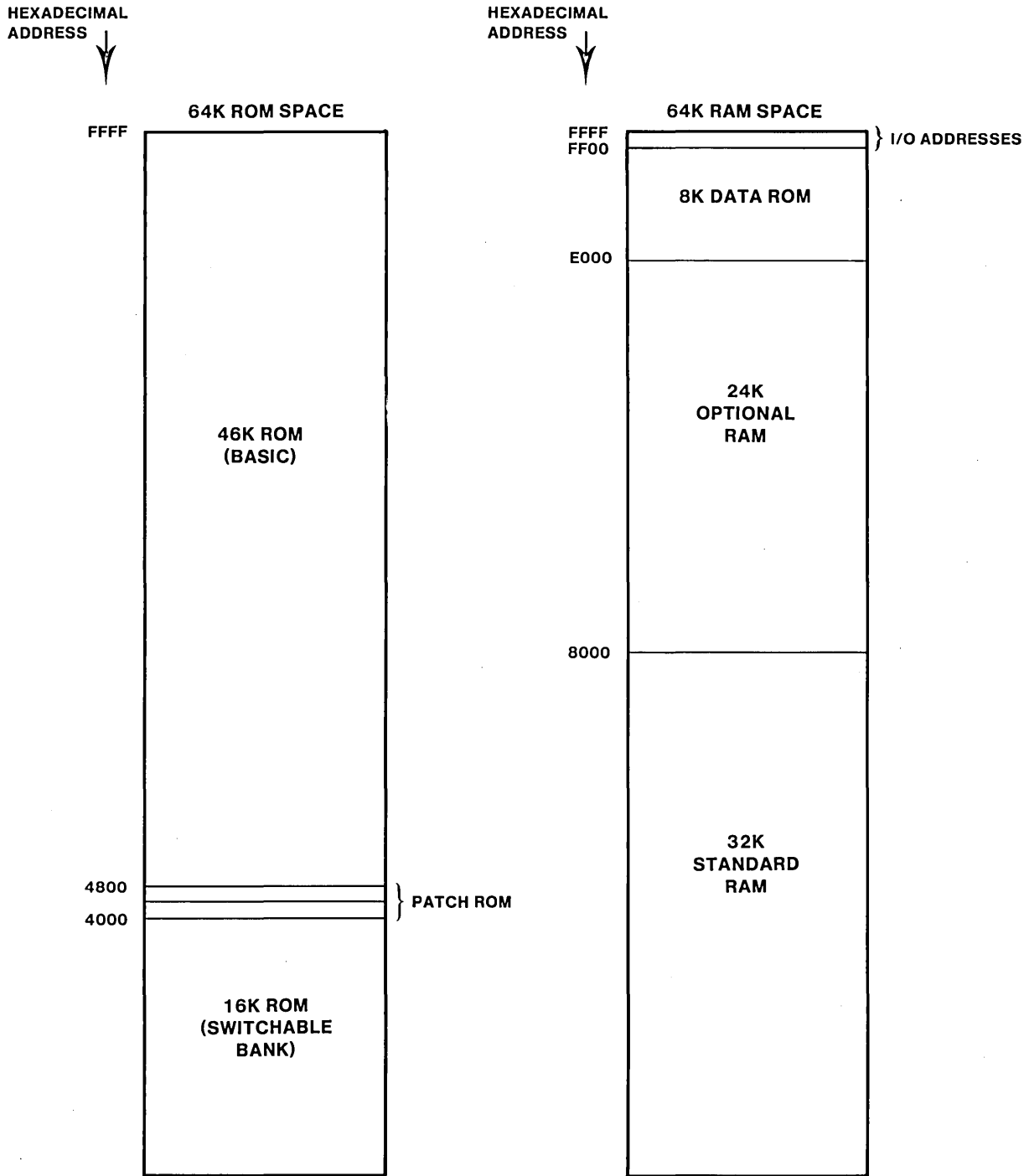
RALU	Registers and Arithmetic/Logic Unit
RAM	Random Access Memory
ROM	Read Only Memory

SYSTEMS CONCEPTS

The 4054 Graphic Computing System is shown in Figure 1-1. The 4054 executes statements typed on the keyboard using the syntax of 4050 Series BASIC. The programs may be stored on a tape cartridge or some other peripheral device (such as the TEKTRONIX 4907 File Manager). Alphanumerics and graphics are displayed on the DVST (crt). An optional hard copy unit may be attached to the 4054 for making hard copies of the information displayed on the crt. An optional Communications Backpack can be installed to make the 4054 into an intelligent graphics terminal or to emulate the TEKTRONIX 4014 Computer Display Terminal. An optional joystick can also be connected to provide convenient graphic input.

The 4054 Graphics Computing System consists of four main groups of circuitry:

1. The ALU Board contains the micro code, the Instruction Register, the RALU (Registers and Arithmetic/Logic Unit), Condition Code Register, and interrupt logic.
2. The MCP Board contains the Program Counter, storage latches, and instruction control.
3. The MAS Board contains the firmware ROM and user RAM. The addresses of the ROM space and RAM space are shown in Figure 1-2. The MAS Board also enables the addressing of the I/O address space.
4. The I/O section consists of the display, the internal tape drive, the keyboard, the GPIB (General Purpose Interface Bus), and the backpacks. Figure 1-3 shows the addressing of the PIAs and the GPIB.



2829-51

Figure 1-2. 4054 Memory Address Allocation Map.

INTRODUCTION

I/O SECTION	SCHEMATIC PAGE	ADDRESS HEX
GPIB	p. 5-4	FF00-FF05
DISPLAY CONTROL REGISTER	p. 5-3	FF08
DATA TO DISPLAY VECTOR GENERATOR	p. 5-3	FF09-FF0A
MAG TAPE DATA	p. 5-2	FF0C-FF0F
DISPLAY STATUS REGISTER	p. 5-2	FF10
DATA FROM DISPLAY VECTOR GENERATOR	p. 5-3	FF11-FF12
MAG TAPE PIA	p. 5-2	FF18-FF1B
KEYBOARD PIA	p. 5-3	FF28-FF2B
COMMUNICATIONS PIA	p. 5-2	FF40-FF43
COMMUNICATIONS ACIA	p. 5-1	FF44-FF45

2839-1

Figure 1-3. 4054 I/O Addresses.

Section 2

SHORT FORM CALIBRATION PROCEDURE

GENERAL INFORMATION

This is an outline of the calibration procedure. It is intended as a checklist for a person familiar with the instrument. For a complete procedure, see the 4052/4054 Technical Data Service Manual.

EQUIPMENT REQUIRED

The following equipment is required for the short form calibration procedure. Numbers shown in parentheses are Tektronix part numbers.

- Phillips screwdrivers, #1 and #2 points
- 5/16" and 11/32" hex nut drivers
- Small shaft (1/8") standard blade screwdriver
- 7 1/2" insulated shaft screwdriver (003-0001-00)
- 3/32" and 1/16" Allen Wrenches
- Digital frequency counter (TEKTRONIX DC501 or equivalent)
- Voltmeter (TEKTRONIX DM510 or equivalent)
- High Voltage Probe for 6500V
- Calibration Tape Cartridge (067-0781-01)
- 100MHz Dual Trace Oscilloscope (TEKTRONIX 465 or equivalent)
- Cal Fixture, crt scale (067-0948-00)

LINE VOLTAGE SELECTION

The line voltage is selected by a small printed circuit board in the line selector. See Figure 2-1. The voltage that you see on the circuit card is the line voltage currently selected for the instrument.

CALIBRATION PROCEDURE

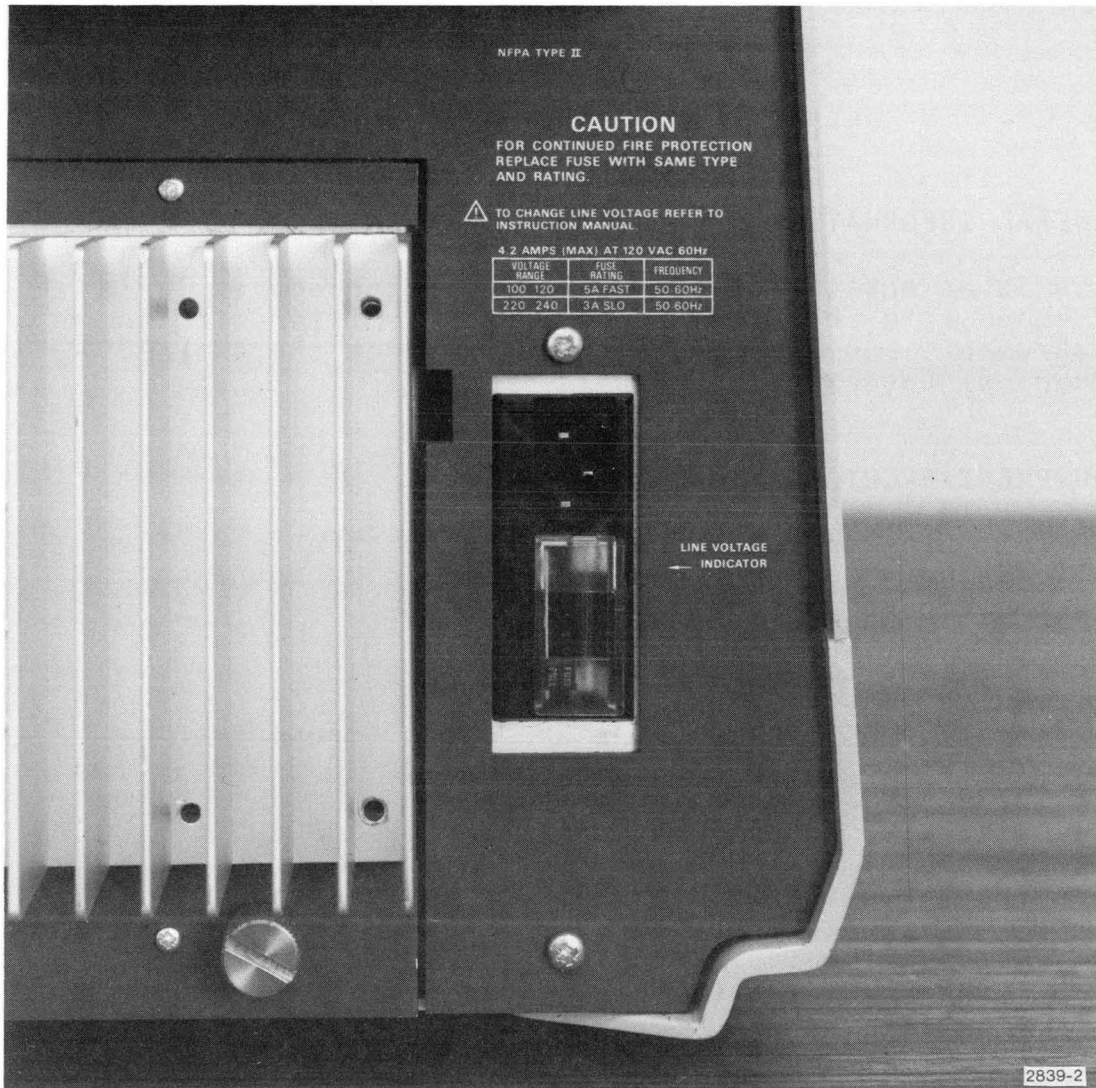


Figure 2-1. Line Voltage Selector.

To change the line voltage:

WARNING

Do not try to defeat the fail-safe features of this voltage changing device or you may be electrocuted while changing the voltage settings.

1. Remove the power cord.
2. Slide the plastic cover upwards.

3. Pull the fuse removal lever upwards and outwards to remove the fuse.
4. Remove the small printed circuit card with long nose pliers.
5. Reinstall the card with the desired line voltage showing in the small cut out beside the fuse.
6. Check the fuse size label above the connector and reinstall the correct size fuse for the new line voltage.
7. Slide the plastic cover down in place.
8. Reinstall the power cord.

CABINET REMOVAL

WARNING

Make certain that the power cord is disconnected before you remove the cover. If you don't, you may touch parts of the circuitry with it and receive a dangerous shock. The instrument could also be damaged.

Turn off the power and refer to Figure 2-2 for the location of the screws that secure the cover. Remove the screws and lift the cover off. Be careful not to hit circuit parts while removing the cover.

POWER SUPPLY CALIBRATION

WARNING

Use care in making these adjustments because it is possible to receive a dangerous shock from parts of the circuitry. It is also possible to damage the instrument by accidentally shorting parts of the circuitry together or to ground.

CALIBRATION PROCEDURE

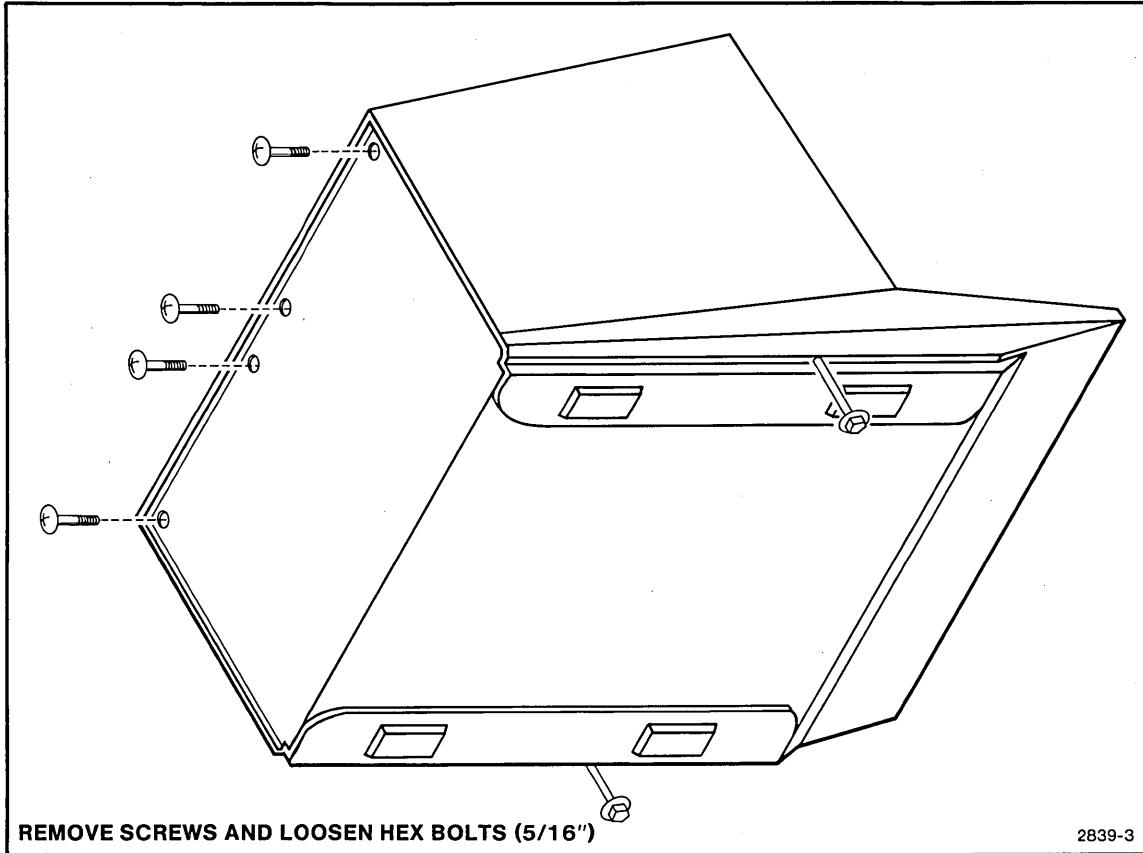


Figure 2-2. 4054 Cover Removal Procedure.

Adjust the power supplies or check them by connecting a voltmeter between J65 (ground) and the following pins on the Display Controller Board. The easiest places to measure these voltages are on the wide circuit runs directly behind J65. (See Figure 2-3.) If necessary, adjust R166 on the low voltage power supply to bring the supplies within tolerance. (See Figure 2-4.)

±1

pin 12 (15V ~~[fi]~~%) ~~+/-0%~~

pin 13 (5V ~~[fi]~~5%) ~~+/-3.0%~~

pin 14 (-15V ~~[fi]~~5%) ~~+5%~~

±

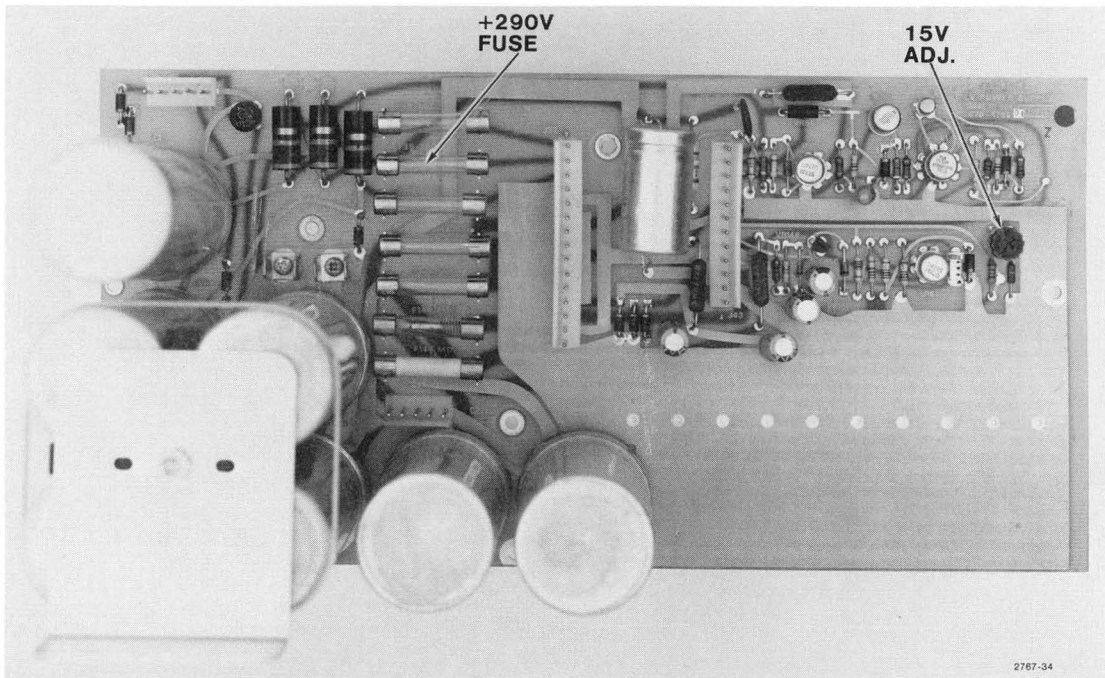
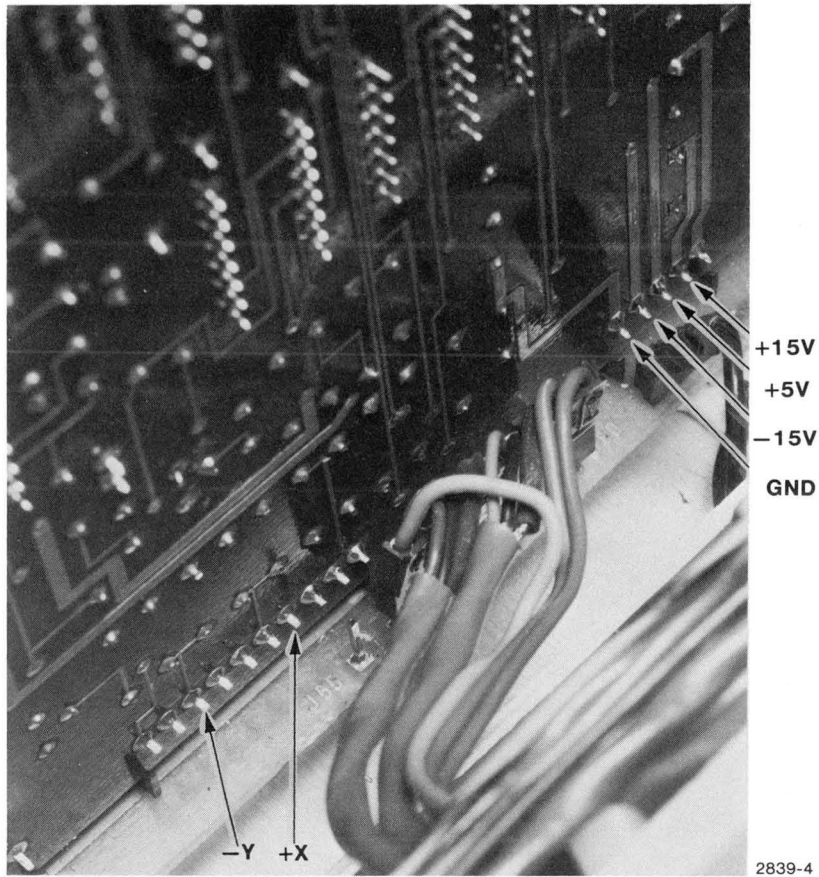


Figure 2-4. +15V Adjustment Point.

CALIBRATION PROCEDURE

It is necessary to fold back the hinge mounted circuit boards on the top of the instrument to adjust or check the two 12 V supplies. Check the voltages on J119 on the I/O board for the tolerances listed below. J119 is located next to the voltage adjustment potentiometer (Figure 2-5).

J119 pins 1 and 2	+12 V +/-5%
J119 pin 3	-12 V +/-3%
J119 pin 4	GND

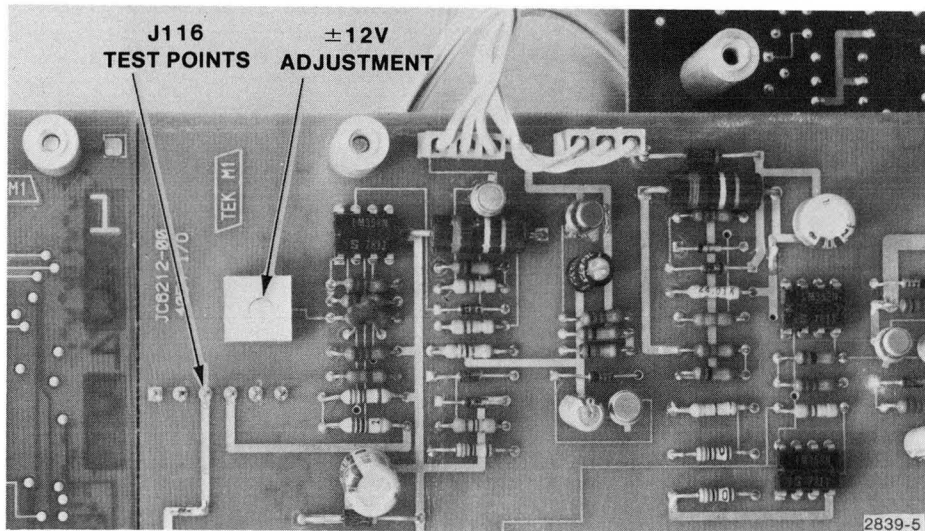


Figure 2-5. I/O Voltage Points.

High Voltage Check

WARNING

Dangerous voltages are present on the High Voltage Board. Use caution while making measurements.

Turn the AC power source off.

Connect the positive lead of the voltmeter to ground. (J65 on the interconnect Board is a good point.)

Connect the negative lead of a voltmeter capable of measuring 6500 volts through the top hole of the High Voltage and Z Axis assembly to the lead of C475.

NOTE

The capacitor lead is insulated so the insulation must be penetrated for the lead to make proper contact.

Turn on the instrument.

Check the high voltage. It must be between -5700 and -6300 Volts or you will have difficulty in making the display adjustments.

STORAGE CIRCUITRY ADJUSTMENTS

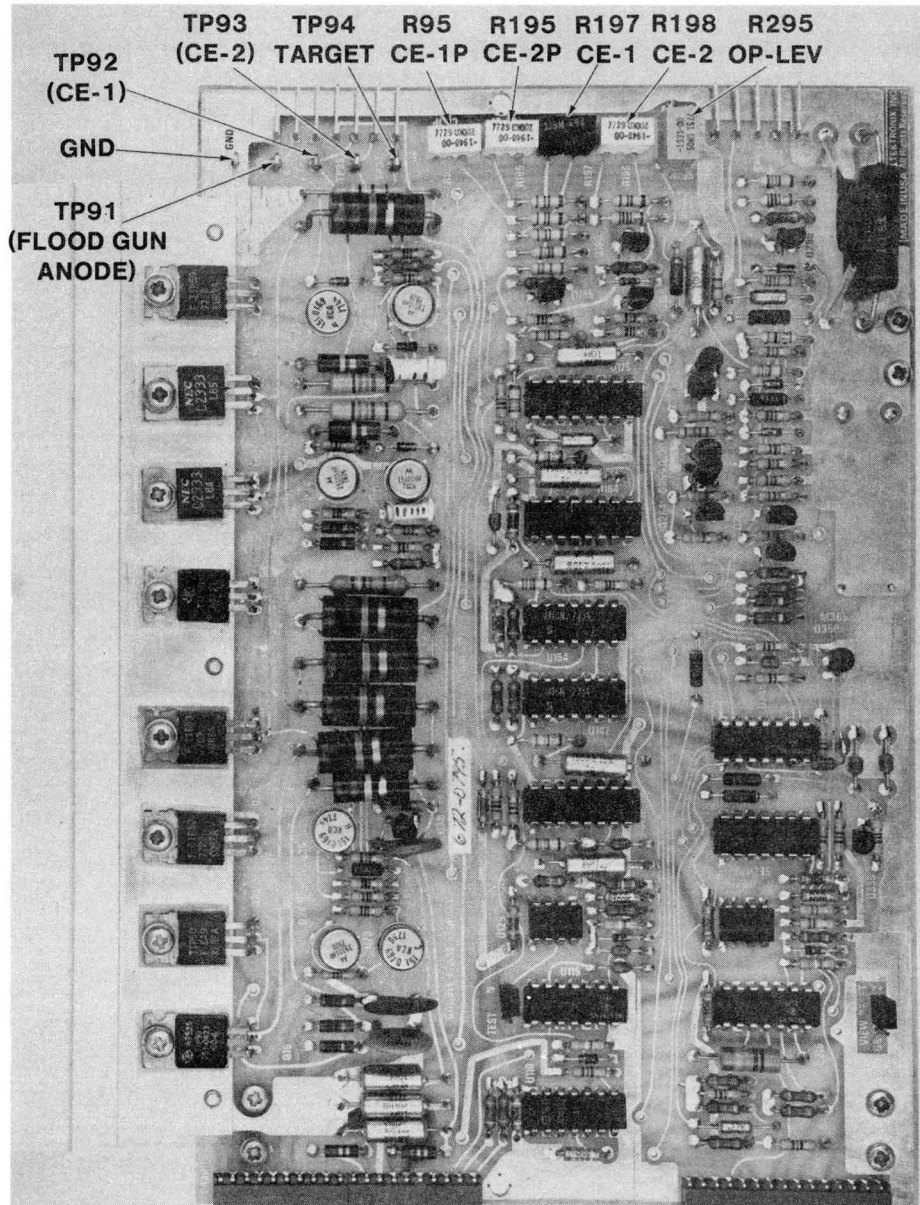
This adjustment section must be done in an area with reduced lighting or with a light shield of some type to block excessive light from the face of the crt. Otherwise it will not be possible to see the effect of the adjustments (see Figure 2-6).

OP LEVEL Adjustment

Connect a DC coupled scope or voltmeter to TP94. ■

Adjust the OP LEVEL (R295) so that the crt target has a granular appearance. Reduce the voltage about 10 Volts. The voltage should read about the same as the voltage listed on the crt tag. Generally the voltage will be within 10 V of the tag voltage.

Press the ERASE button and check for a double erase pulse at TP94 with the oscilloscope. ■



(2767) 2839-17

Figure 2-6. Storage Board Adjustment Points.

CE2 Adjustment (R198)

The voltage at TP93 should be near the voltage on the crt tag. This adjustment sets the flood gun target illumination so that it just reaches the top edge of the crt.

CE1 Adjustment (R197)

This adjustment sets the crt target corner intensity just past the maximum point. The corner intensity increases and then decreases as the control is rotated. This should be about 10 volts higher than CE2 and about the same as the crt tag. The final setting must be at least five volts higher than CE2.

Flood Gun Anode (TP91)

Check TP91 for a voltage between 142 and 158 V. Check to see that a square wave appears at this point after about 100 seconds. This indicates that the crt has gone into a "HOLD" mode.

CE2 Pulse (R195)

Adjust this control so that there is good coverage on the crt during the erase cycle with uniform intensity coverage to the top of the crt target.

CE1 Pulse (R95)

Adjust this control for uniform target coverage during the erase cycle. If little change is seen, set it to mid-range.

CALIBRATION PROCEDURE

CRT DISPLAY ADJUSTMENTS

The crt display adjustment points are found on the High Voltage and Z Axis Board, shown in Figure 2-7.

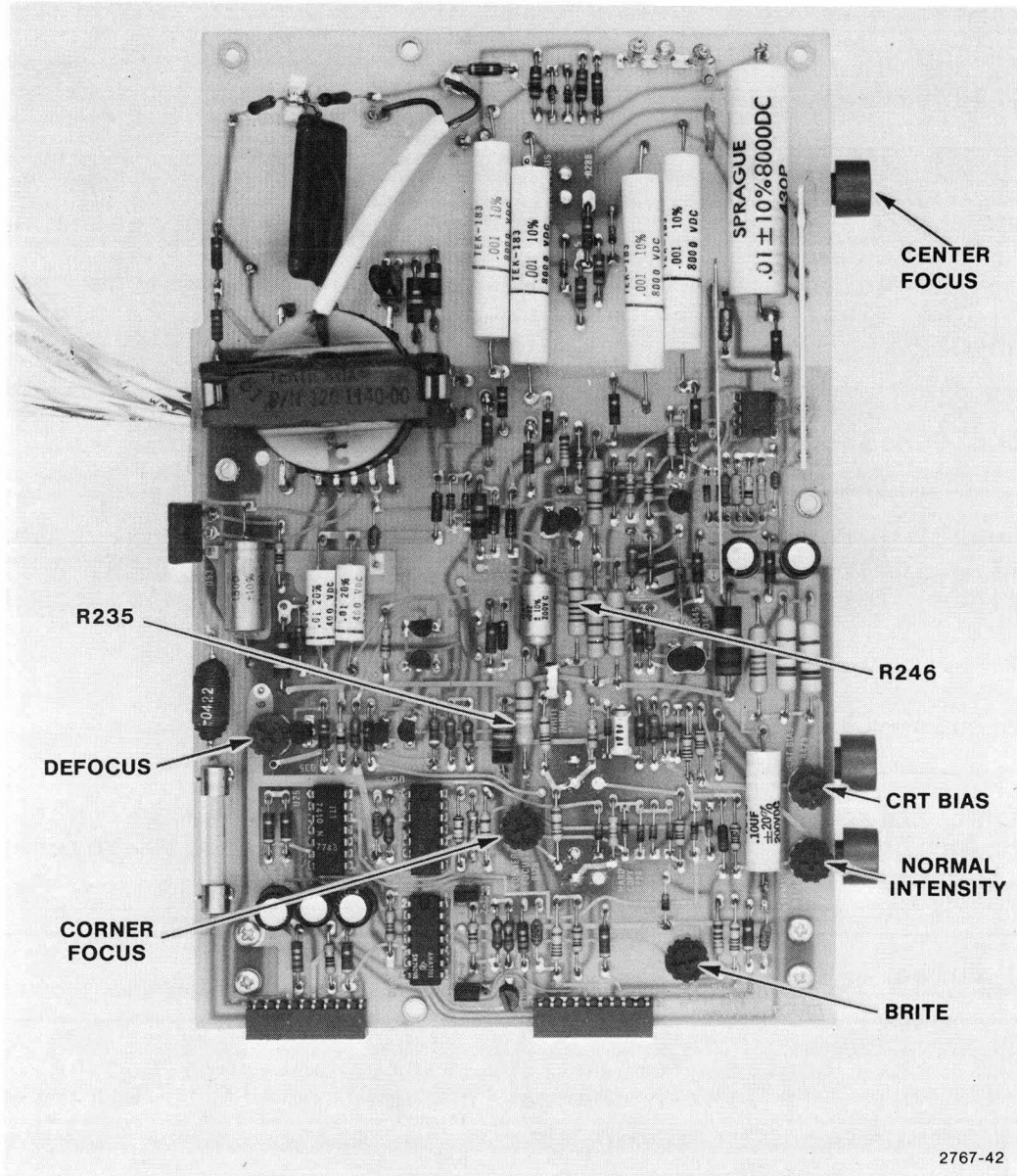


Figure 2-7. High Voltage and Z Axis Board.

Crt Bias Adjustment (R429)

With the Anti-burn strap on the Deflection Board set to "OUT", adjust the CRT BIAS slowly until a small dot appears just below the cursor. Then Re-adjust the bias to the point where the dot just disappears.

Center Focus (R288)

Position the cursor to the center of the screen and adjust R288 for the sharpest lines on the cursor.

Corner Focus (R128)

Position the cursor at a corner of the crt. Adjust R128 for the sharpest lines.

Dynamic Focus (R325 on the Deflection Board)

Key in this program:

```
4 print "8";  
5 run  
CHA 1
```

Push User Definable Key 1 and lines of 8's will be displayed. Adjust R325 on the Deflection Board for the sharpest numbers (see Figure 2-8). R128 may need a slight readjustment. Press the PAGE key to repeat the lines after the crt is full.

CALIBRATION PROCEDURE

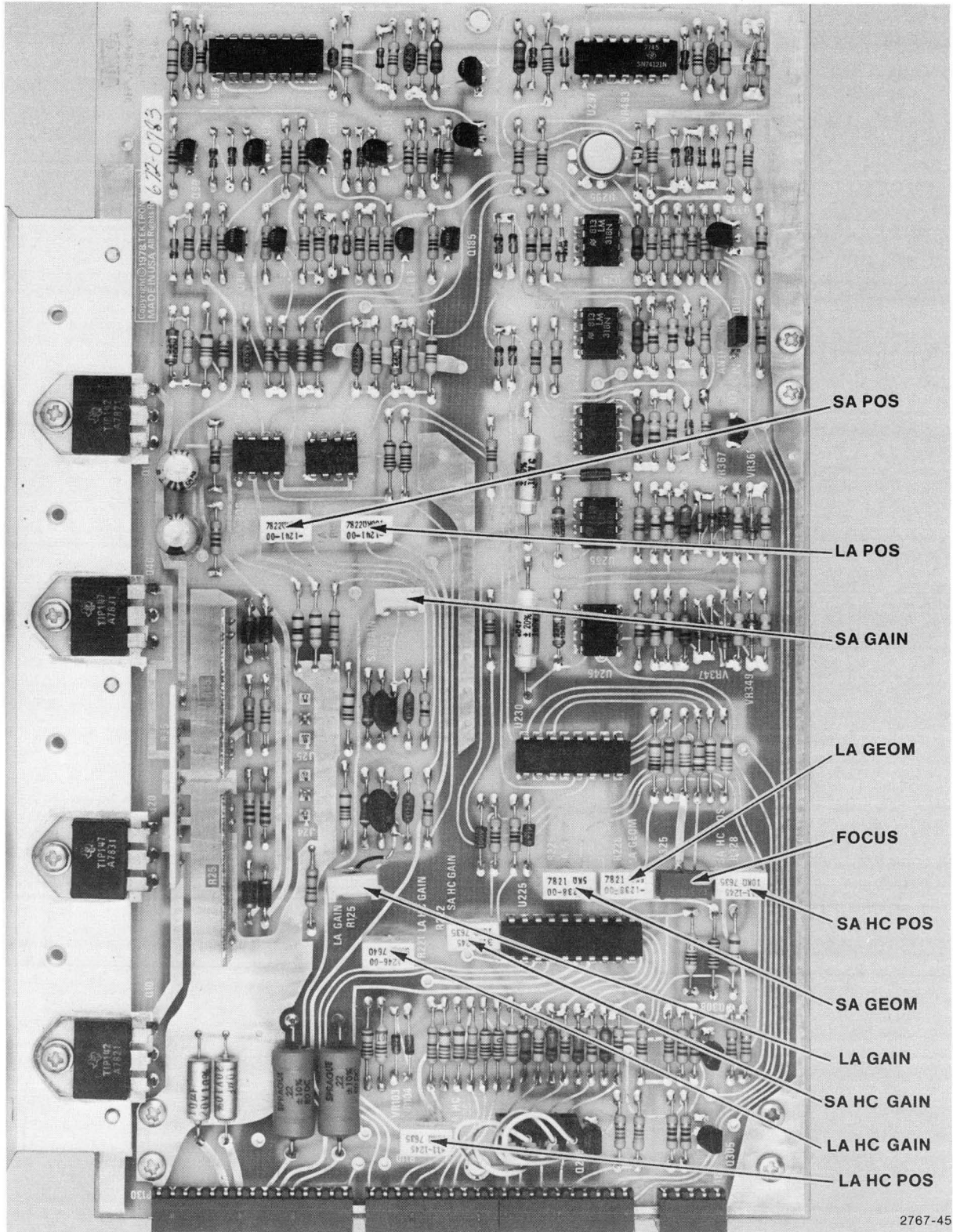


Figure 2-8. Deflection Amplifier Board Adjustment Points.

Normal Intensity (R247)

Connect a 10X probe to the upper end of R246 on the High Voltage/Z Axis Board (see Figure 2-7). Run the program for Dynamic Focus and adjust the pulse at this point to an amplitude of 40 Volts with the Normal Intensity Control. This setting is the normal value, but may have to be changed slightly for some crts. It should be set for good writing without smearing of the numbers due to over-writing or breaks in the letters due to under-writing.

Brite Intensity (R415)

From the keyboard, enter BRITE 2 and press RETURN. Adjust The pulse that appears at the upper end of R246 for 10 volts higher than the Normal Intensity setting.

Defocus (R3)

Set this control to Mid-Range.

Origin Shift Check

Press the PAGE key repeatedly and note the the cursor moves in eight small steps The cursor moves back to the original starting point once in every eight pages of the screen.

Vector Start and Stop Adjustments

The Turn On Delay adjustment is R455, and the Turn Off Delay is R355 on the Display Controller Board. These two adjustments are at the top edge of the board. Position the cursor to near the center of the screen. Adjust these two controls to close the corners of the cursor box, but not to overlap. Overlap makes bright dots at the cursor corners.

CALIBRATION PROCEDURE

Write Thru

The WRITE THRU adjustment is just below the keyboard next to the power switch. Adjust the cursor intensity just below the level that causes it to store. This is the correct adjustment for Write Thru Intensity. (The Write Thru Intensity potentiometer on the side of the High Voltage/Z Axis Board should be left set at mid-range.)

VECTOR GENERATOR ADJUSTMENTS

Key this program into the 4054.

```
4 GO TO 100
100 INIT
110 MOVE 0,100
120 DRAW 130,100
130 DRAW 130,0
140 DRAW 0,0
150 DRAW 0,100
160 DRAW 0,50
170 DRAW 130,50
180 DRAW 130,0
190 DRAW 65,0
200 DRAW 65,100
210 GO TO 100
```

Press User Definable Key No. 1. A rectangle with cross lines in the center will appear.

Refer to Figure 2-3 for the following measurement points.

Connect a 10X probe to Pin No. 26 on the back side of the Display Controller Board. The vertical deflection signal that appears here should have an amplitude of 7.5 Volts peak-to-peak with the horizontal line in the center of the waveform at 0 Vdc. R421 on the Vector Generator board sets the waveform amplitude and R321 sets the center DC level.

Move the 10X probe to pin No. 23 on the back side of the Display Controller Board. The horizontal deflection signal seen here should have an amplitude of 10.0 Volts peak-to-peak. The horizontal line in the center of the waveform should be at 0 Vdc. R621 on the Vector Generator Board sets the waveform amplitude and R715 sets the DC level.

DEFLECTION AMPLIFIER ADJUSTMENTS

The Deflection Amplifier adjustments are shown in Figure 2-8.

Install the calibration graticule. The Bezel will have to be removed to install the graticule.

WARNING

Use the insulated screwdriver for making these adjustments. If you accidentally drop an uninsulated screwdriver on the Interconnect Board you can cause damage to the instrument.

Adjust LA POS, R156, and SA POS, R252, to align the center of the display to the center of the graticule. It may be necessary to loosen the yoke clamp and rotate it to align the center vertical and horizontal lines with the graticule.

Adjust the LA GEOM, R326, and SA GEOM, R322, LA GAIN, R56, and SA GAIN, R150 to get the pattern to align with the test graticule. These adjustments interact and may have to be adjusted several times.

CALIBRATION PROCEDURE

HARD COPY ADJUSTMENTS

(This section of the adjustment procedure is not necessary if no hard copy unit is used.)

Hard Copy Intensity

Connect a hard copy unit to J41 and allow the units to warm up.

Key in this program:

```
4 PRINT "8";  
5 RUN
```

Press User Definable key No.1. When the screen is full of 8's, press the MAKE COPY key on the 4054 . As the line crosses the screen, adjust the HARD COPY INTENSITY control for a line intensity just below the storage level. The control is located near the power switch below the keyboard. The HARD COPY INTENSITY control located on the High Voltage/Z Axis Board should be left at mid-range.

Hard Copy Position Controls

Press the 4054 MAKE COPY key and adjust the LA HC POS R229 and the SA HC POS, R426, for full display coverage by the hard copy sweep horizontally and vertically. These controls are on the Deflection Amplifier Board (see Figure 2-8). The SA HC GAIN, R229 and the LA HS GAIN R221 may also have to be adjusted to achieve complete display coverage. It may be necessary to press MAKE COPY several times to complete the adjustments.

HARD COPY THRESHOLD

Key in from the keyboard CHA 1 to get the smallest size letters.

Press User Definable Key No. 1 to fill the screen with 8's and adjust R26 for the best copy of the pattern (see Figure 2-9). The smallest characters should be very readable. Page the screen and make a copy. Look for black dots (noise) on the blank areas of the paper and adjust R26 for minimum noise with good copy.

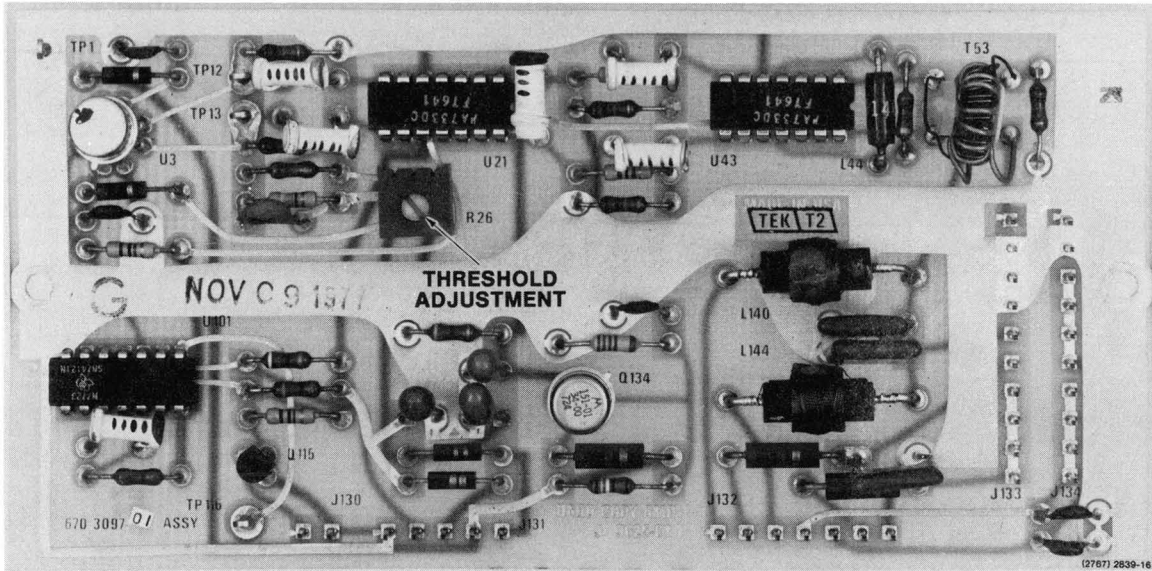
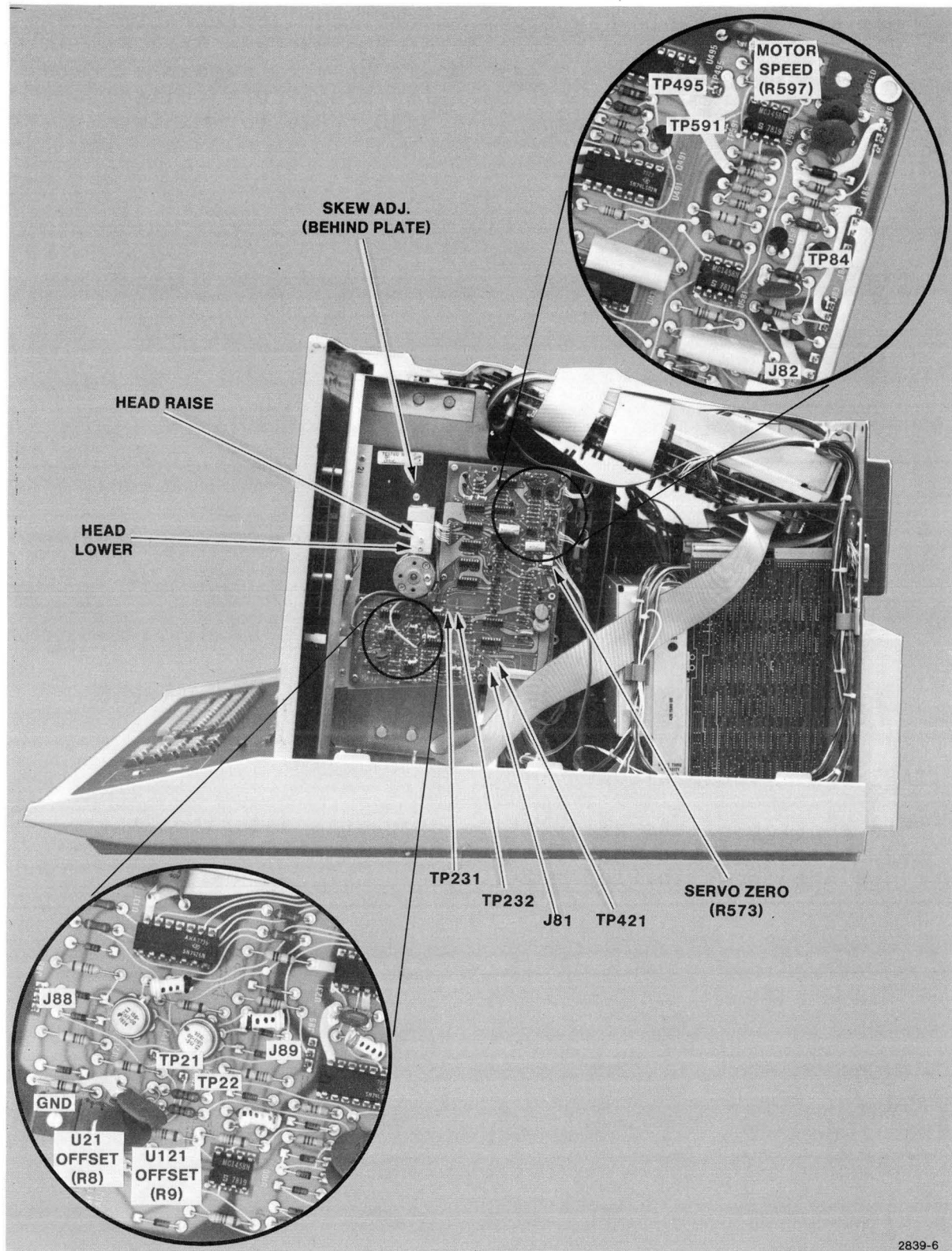


Figure 2-9. Hard Copy Amplifier Threshold Adjustment.

TAPE DRIVE CALIBRATION

This section of the calibration procedure describes the adjustments on the Tape Drive Board. Locations of adjustments are shown in Figure 2-10.

CALIBRATION PROCEDURE



2839-6

Figure 2-10. Tape Drive Checkpoints and Adjustments.

Be careful not to drop the head adjustment tape, as it may misalign the mechanical parts and make it inaccurate. This also applies to any of the tapes used with the system.

Always spool the test tape from one end to the other before making any head adjustments. Increased accuracy is also obtained by tilting the 4054 15 to 30 degrees to the right.

1. Amplifier DC Adjustments.

With no tape inserted, place the voltmeter probe on TP591. Adjust SERVO ZERO (R573) for 0 V +/- 50 mV. There should be no motor movement.

Move the voltmeter probe to TP12. Set U21 offset adjustment (R8) for 0 V +/-50 mV.

Move the voltmeter probe to TP22. Set U121 offset adjustment (R9) for 0 V +/-50 mV.

2. Motor Speed Adjustment

Insert the calibration tape (067-0781-01) and press the AUTOLOAD button. The tape will move at 30 inches per second for approximately 2 minutes. A continuous 10 kHz on both channels is recorded on the last half of the tape. The first half of the tape is recorded with bursts of 10 kHz separated by erased zones. Adjust the motor speed during the last half of the calibration tape while the 10 kHz is continuous.

Set the motor speed pot (R597) for 10 kHz +/- 1.0% (9.9-10.1 kHz) as measured on the frequency counter at TP231. Do not set the speed during the 10 kHz burst section of the tape or the motor speed will be wrong. Rewinding occurs automatically when the end of the tape is reached, or can be expedited by ejecting the tape and reinserting it followed by pushing the REWIND button. To start the tape forward again, push AUTOLOAD.

3. Head Skew and Height Adjustments

Head skew is set during the second half of the calibration tape and procedures for replaying this continuous 10 kHz section are the same as previously described.

CALIBRATION PROCEDURE

As the tape is running, set the scope for 10 usec, 2 V/cm. Trigger on the negative edge of the channel 1 waveform. Adjust skew (see Figure 2-10) with an Allen wrench until the waveforms are aligned as in Figure 2-11. Turn off the power and swap connectors J88 and J89 that go th the tape head. Turn on the power and check to see if the skew pulses are still aligned. The differences in alignment between these two measurements are caused by electronically induced skew. This induced skew should not be more than one microsecond. Adjust for half of the skew difference. Move the probes to TP231 and TP232 to check that the skew at that point is less than +/-500 ns.

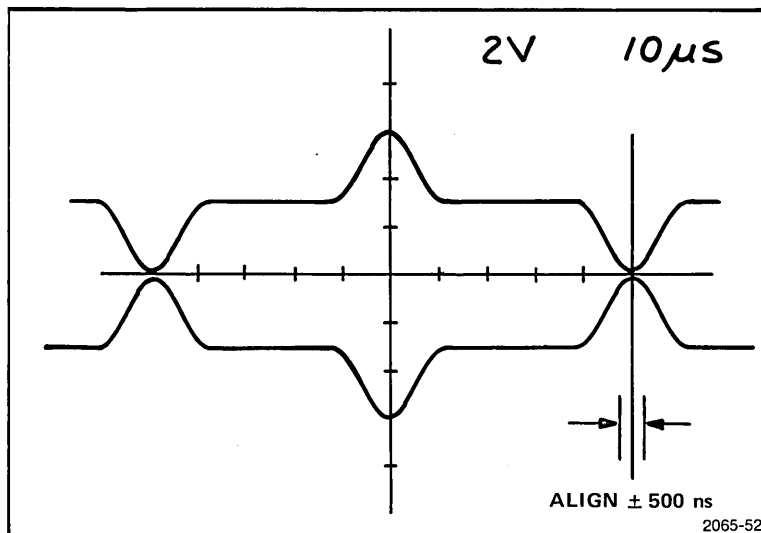
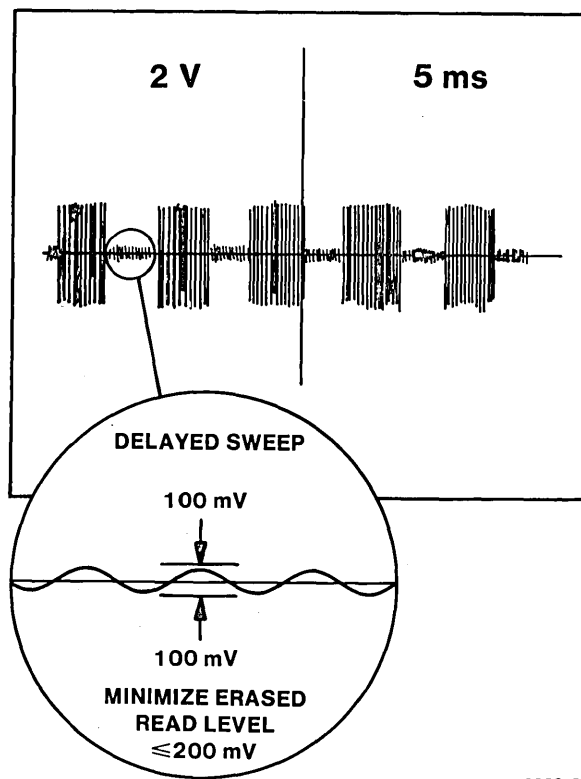


Figure 2-11. Magnetic Tape Skew Waveforms.

Turn the power off and restore J88 and J89 to their original positions. (The grey plug with the red wires goes to J88) Skew adjustments and head height (right and left positioning) affect each other and the adjustments may have to be rechecked.

Head height is set during the first half of the calibration tape which contains alternate zones of 10 kHz and erased tape. The head is set for minimum noise on the erased sections. This centers the head over the erased section of the tape.

Move the scope probes; Channel 1 to TP21, remove Channel 2 probe. (Figure 2-10) Set the oscilloscope to 2 V/cm, 5 ms/cm and observe the burst pattern of Figure 2-12.



2829-58

Figure 2-12. Magnetic Tape Signal for Tape Head Height Adjustments.

Adjust the delayed sweep if it is available on your oscilloscope to display the low-level region between the 10 kHz bursts. (Set the delayed sweep rate to 100 usec/cm and the vertical sensitivity to 100 mV/cm).

CALIBRATION PROCEDURE

Loosen the head height raise screw about three turns (Figure 2-10). Adjust the head lower screw for minimum amplitude during the erased interval. (Figure 2-12) Head skew and height adjustments interact and they may have to be readjusted before both are optimized. Tighten the screws and the calibration is complete.

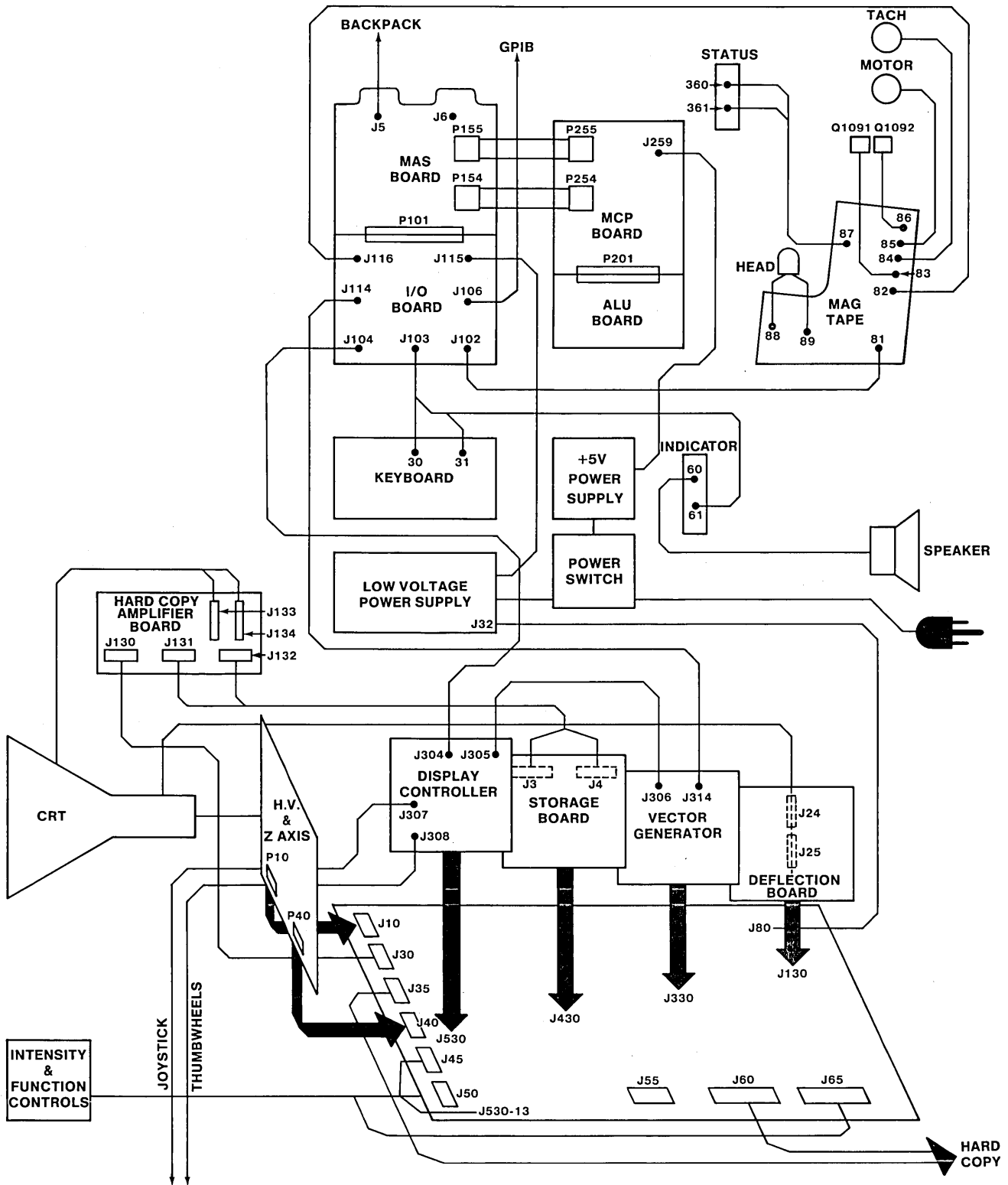
Routine maintenance procedures are to clean the head with isopropyl alcohol and a swab every 1000 hours of average use or every six hours of continuous tape operation.

Section 3

CONNECTORS AND WIRE HARNESS

The following section contains the connector and the wire harness information for the 4054 Graphic Computing System. Figure 3-1 shows the approximate location of the connectors and board locations for the system. The connector tables show the connector-to-connector wiring and the schematic page that the signal name appears on.

CONNECTORS AND WIRE HARNESS



2839-7

Figure 3-1. 4054 Cabling Diagram.

CONNECTORS AND WIRE HARNESS

J3	Schematic Page	Signal Name	Destination	Schematic Page
1	10-2	GND	J131-1	12-1
2	10-2	HCS	J131-2	12-1
3	10-2	+5 V	J131-3	12-1
4	10-2	-15 V	J131-4	12-1
5	10-2	+15 V	J131-5	12-1

J4	Schematic Page	Signal Name	Destination	Schematic Page
1	10-1	Target	J132-1	12-1
2	10-1	CE-2	J132-2	12-1
3	10-2	CE-1	J132-3	12-1
4	10-2	FG-HEATER	J132-4	12-1
5	10-2	FG-HEATER	J132-5	12-1
6	10-2	FGA	J132-6	12-1
7	10-2	GND	J132-7	12-1

CONNECTORS AND WIRE HARNESS

J5-A	Schematic Page	Signal Name	Destination	Schematic Page
A1	4-5	AEA10-1	P5-A1	BACKPACK
A2	4-5	GND	P5-A2	BACKPACK
A3	4-5	GND	P5-A3	BACKPACK
A4	4-3	PIAS-0	P5-A4	BACKPACK
A5	4-2	R-1/W-0	P5-A5	BACKPACK
A6	4-5	AEA12-1	P5-A6	BACKPACK
A7	4-5	AEA14-1	P5-A7	BACKPACK
A8	4-5	AEAO-1	P5-A8	BACKPACK
A9	4-5	AEA1-1	P5-A9	BACKPACK
A10	4-5	AEA2-1	P5-A10	BACKPACK
A11	4-5	AEA3-1	P5-A11	BACKPACK
A12	4-5	-12V	P5-A12	BACKPACK
A13	4-5	-12V	P5-A13	BACKPACK
A14	4-3	SLOW-0	P5-A14	BACKPACK
A15	4-1	EXD1-1	P5-A15	BACKPACK
A16	4-1	EXD3-1	P5-A16	BACKPACK
A17	4-3	IRQ-0	P5-A17	BACKPACK
A18	4-1	EXD6-1	P5-A18	BACKPACK
A19	4-3	PIAE-1	P5-A19	BACKPACK
A20	4-3	ERLPIAE-1	P4-A20	BACKPACK
A21	4-5	GND	P5-A21	BACKPACK
A22	4-5	GND	P5-A22	BACKPACK
A23	4-3	EXTEN-0	P5-A23	BACKPACK
A24	4-3	EPIAS-0	P5-A24	BACKPACK
A25	4-5	+12 V	P5-A25	BACKPACK

CONNECTORS AND WIRE HARNESS

J5-B	Schematic Page	Signal Name	Destination	Schematic Page
B1	4-5	GND	P5-B1	BACKPACK
B2	4-5	GND	P5-B2	BACKPACK
B3	4-5	+5 V	P5-B3	BACKPACK
B4	4-5	AEA-9-1	P5-B4	BACKPACK
B5	4-5	AEA8-1	P5-B5	BACKPACK
B6	4-5	AEA7-1	P5-B6	BACKPACK
B7	4-5	AEA13-1	P5-B7	BACKPACK
B8	4-5	AEA15-1	P5-B8	BACKPACK
B9	4-5	GND	P5-B9	BACKPACK
B10	4-3	COMCLK-1	P5-B10	BACKPACK
B11	4-5	AEA6-1	P5-B11	BACKPACK
B12	4-5	AEA5-1	P5-B12	BACKPACK
B13	4-5	AEA4-1	P5-B13	BACKPACK
B14	4-5	AEA11-1	P5-B14	BACKPACK
B15	4-1	EXD0-1	P5-B15	BACKPACK
B16	4-1	EXD2-1	P5-B16	BACKPACK
B17	4-1	EXD4-1	P5-B17	BACKPACK
B18	4-1	EXD5-1	P5-B18	BACKPACK
B19	4-1	EXD7-1	P5-B19	BACKPACK
B20	4-4	RESTART-0	P5-B20	BACKPACK
B21	4-3	EXTEN-0	P5-B21	BACKPACK
B22	4-5	GND	P5-B22	BACKPACK
B23	4-5	GND	P5-B23	BACKPACK
B24	4-5	+5 V	P5-b24	BACKPACK
B25	4-5	GND	P5-B25	BACKPACK

J24	Schematic Page	Signal Name	Destination	Schematic Page
1	9-1		LA DEFL COIL	9-1
2	9-1		LA DEFL COIL	9-1
3	9-1		LA DEFL COIL	9-1

J25	Schematic Page	Signal Name	Destination	Schematic Page
1	9-1		SA DEFL COIL	9-1
2	9-2		SA DEFL COIL	9-1
3	9-1		SA DEFL COIL	9-1

CONNECTORS AND WIRE HARNESS

J10	Schematic Page	Signal Name	Destination	Schematic Page
1	6-1	+290 V	P10-1	11-1
2	(not used)			11-1
3	6-1	+20 V	P10-3	11-1
4	6-1	GND	P10-4	11-1
5	6-1	-15 V	P10-5	11-1
6	6-1	+5 V	P10-6	11-1
7	6-1	+15 V	P10-7	11-1
8	6-1	GND	P10-8	11-1
9	6-1	DEFOCUS-0	P10-9	11-1
10	6-1	TRU Z	P10-10	11-1

Interconnect Board

J30	Schematic Page	Signal Name	Destination	Schematic Page
1	6-1	TARSIG GND	J130-2	12-1
2	6-1	TARSIG-0	J130-1	12-1

J35	Schematic Page	Signal Name	Destination	Schematic Page
1	6-1	TARSIG GND	J41-8	
2	6-1	TARSIG-0	J41-7	
3	6-1	INTER GND	J41-6	
4	6-1	HC INTER-)	J41-5	

CONNECTORS AND WIRE HARNESS

Interconnect Board

J40	Schematic Page	Signal Name	Destination	Schematic Page
1	6-1	HC INTER-0	P40-1	11-1
2	6-1	ANTI BURN	P40-2	11-1
3	6-1	DYNAMIC FOCUS	P40-3	11-1
4	6-1	Z GND	P40-4	11-1
5	6-1	Z AXIS	P40-5	11-1
6	6-1	H C INT	P40-6	11-1
7	6-1	WRITETHRU INT	P40-7	11-1
8	6-1	BRITE-0	P40-8	11-1
9	6-1	HCS-0	P40-9	11-1
10	6-1	WRITE-THRU-0	P40-10	11-1

Keyboard

J30	Schematic Page	Signal Name	Destination	Schematic Page
1	13-1	KCO-1	J103-28	5-3
2	13-1	KC1-1	J103-27	5-3
3	13-1	KC2-1	J103-26	5-3
4	13-1	KC3-1	J103-25	5-3
5	13-1	KC4-1	J103-24	5-3
6	13-1	KC5-1	J103-23	5-3
7	13-1	KC6-1	J103-22	5-3
	13-1	TTY-0	J103-21	5-3

J31	Schematic Page	Signal Name	Destination	Schematic Page
1	13-1	KEY-1	J103-7	5-5
2	13-1	KBHALT-1	J103-6	5-2
3	13-1	SHIFT-0	J103-5	5-5
4	13-1	CTRL-0	J103-4	5-3
5	13-1	GND	J103-3	5-3
6	13-1	KBCLK-0	J103-2	5-3
7	13-1	+5 V	J103-1	5-3

CONNECTORS AND WIRE HARNESS

Joystick

J40	Schematic Page	Signal Name	Destination	Schematic Page
1	JOYSTICK	+12 V	J307-5	8-2
2	JOYSTICK	(SELECT)	J307-6	8-2
3	JOYSTICK	X JOY	J307-2	8-2
4	JOYSTICK	X JOY GND	J307-3	8-2
5	JOYSTICK	GND	J307-1	8-2
6	JOYSTICK	-12 V	J307-4	8-2
7	JOYSTICK	ENTJOY	J307-9	8-2
8	JOYSTICK	Y JOY	J307-7	8-2
9	JOYSTICK	Y JOY GND	J307-8	8-2

Interconnect Board

J45	Schematic Page	Signal Name	Destination	Schematic Page
1	6-1	WRITETHRU INT	J103-32	5-5
2	6-1	HC INT	J103-31	5-5
3	6-1	-15 Volts	J103-30	5-5
4	6-1	+15 Volts	J103-33	5-5

J50	Schematic Page	Signal Name	Destination	Schematic Page
4	6-1	GND	J103-34	5-5

CONNECTORS AND WIRE HARNESS

Interconnect Board

J60	Schematic Page	Signal Name	Destination	Schematic Page
27	6-1	MAKE COPY-0	J41-11	
26	6-1	+ FAST RAMP	J41-3	
25	6-1	-FAST RAMP	J41-4	
24	6-1	FAST RAMP GND	J41-15	
23	6-1	+SLOW RAMP	J41-1	
22	6-1	-SLOW RAMP	J41-2	
21	6-1	SLOW RAMP GND	J41-15	
20	6-1	READ-0	J41-9	
19	6-1	WAIT-0	J41-14	

J65	Schematic Page	Signal Name	Destination	Schematic Page
1	6-1	GND	CHASSIS GND	
2	6-1	GND	CHASSIS GND	

J60	Schematic Page	Signal Name	Destination	Schematic Page
1	16-1	+12 V	J103-8	5-5
2	16-1	I/O-0	J103-26	5-3
3	16-1	BREAK-0	J103-9	5-3
4	16-1	BUSY-0	J103-29	5-3
5	16-1	SPEAKER	J103-11	5-3
6	16-1	GND	J103-27	5-5

J61	Schematic Page	Signal Name	Destination	Schematic Page
1	16-1	SPEAKER	SPEAKER	16-1
2	16-1	BUSH-0	SPEAKER	16-1

CONNECTORS AND WIRE HARNESS

J80	Schematic Page	Signal Name	Destination	Schematic Page
1	6-1	+490 V	J32-1	1-3
2	6-1	+290 V	J32-2	1-3
3	6-1	+175 V	J32-3	1-3
4	6-1	GND 1	J32-4	1-3
5	6-1	FG	J32-5	1-3
6	6-1	FG	J32-6	1-3
7	6-1	+20 V	J32-7	1-3
8	6-1	-20 V	J32-8	1-3
9	6-1	+9 V	J32-9	1-3
10	6-1	-9 V	J32-10	1-3
11	6-1	GND Z	J32-11	1-3
12	6-1	+15 V	J32-12	1-3
13	6-1	+5 V	J32-13	1-3
14	6-1	-15 V	J32-14	1-3
15	6-1	GND 3	J32-15	1-3

CONNECTORS AND WIRE HARNESS

J81	Schematic Page	Signal Name	Destination	Schematic Page
1	14-1	RESTART-0	J102-1	5-5
2	14-2	GND	J102-2	5-5
3	14-2	GND	J102-3	5-5
4	14-2	GND	J102-4	5-5
5	14-2	GND	J102-5	5-5
6	14-2	GND	J102-6	5-5
7	14-2	GND	J102-7	5-5
8	14-2	GND	J102-8	5-5
9	14-2	GND	J102-9	5-5
10	14-2	GND	J102-10	5-5
11	14-2	GND	J102-11	5-5
12	14-2	GND	J102-12	5-5
13	14-2	GND	J102-13	5-5
14	14-2	-12 V	J102-14	5-5
15	14-2	+5 V	J102-15	5-5
16	14-2	+5 V	J102-16	5-5
17	14-2	+5 V	J102-17	5-5
18	14-2	+15 V	J102-17	5-5
19	14-2	LOADED-1	J102-19	5-5
20	14-1	RCLK-1	J102-20	5-5
21	14-1	WCLK-0	J102-21	5-5
22	14-1	MRDATA-1	J102-22	5-5
23	14-1	TUTS-1	J102-23	5-5
24	14-1	WDATA-1	J102-24	5-5
25	14-1	TNIM-1	J102-25	5-5
26	14-2	DELAY OUT-1	J102-26	5-5
27	14-1	SAFE-1	J102-27	5-5
28	14-1	LOHOLE-1	J102-28	5-5
29	14-1	WR-0	J102-29	5-5
30	14-1	UPHOLE-1	J102-30	5-5
31	14-1	FAST-1	J102-31	5-5
32	14-1	REV-1	J102-32	5-5
33	14-1	DRTAPE-0	J102-33	5-5
34	14-2	DELAY IN-0	J102-34	5-5

CONNECTORS AND WIRE HARNESS

J82	Schematic Page	Signal Name	Destination	Schematic Page
1	14-2	+20 V UNREG	J116-1	5-5
2	14-2	-20 V UNREG	J116-2	5-5
3	14-2	MOTOR GND COMMON	J116-3	5-5

J83	Schematic Page	Signal Name	Destination	Schematic Page
1	14-2	+20 V	EMITTER OF Q1091	
2	14-2	MOTOR DRIVE	COLLECTOR OF Q1091	
3	14-2	POSITIVE CON- TROL	BASE OF Q1091	

J84	Schematic Page	Signal Name	Destination	Schematic Page
1	14-2	TAC POSITIVE OUTPUT	TAPE DRIVE TA- CHOMETER	
2	14-2	TAC GROUND		

J85	Schematic Page	Signal Name	Destination	Schematic Page
1	14-2	MOTOR DRIVE		
2	14-2	MOTOR COMMON	TAPE DRIVE	
3	14-2	MOTOR SHIELD	MOTOR	

CONNECTORS AND WIRE HARNESS

J86	Schematic Page	Signal Name	Destination	Schematic Page
1	14-2	-20V	EMITTER OF Q1092	
2	14-2	MOTOR DRIVE	COLLECTOR OF Q1092	
3	14-2	NEGATIVE CONTROL	BASE OF Q1092	

J87	Schematic Page	Signal Name	Destination	Schematic Page
1	14-2	LOADED-1	J361-1	16-1
2	14-1	SAFESW	J361-2	16-1
3	14-1	+15 V1	J361-3	16-1
4	14-2	+5 V	J361-4	16-1
5	14-2	GND	J361-5	16-1
6	14-1	UPHOLE	J361-6	16-1
7	14-1	LOHOLE	J361-7	16-1
8	14-1	LAMP ON	J360-1	16-1
9	14-1	LAMP ON RETURN	J360-2	16-1

J88	Schematic Page	Signal Name	Destination	Schematic Page
1	14-1	PICKUP COIL	COIL	
2	14-1	PICKUP COIL	COIL	
3	14-1	SHIELD	CASE	

J89	Schematic Page	Signal Name	Destination	Schematic Page
1	14-1	PICKUP COIL	COIL	
2	14-1	PICKUP COIL	COIL	
3	14-1	SHIELD	CASE	

CONNECTORS AND WIRE HARNESS

J93	Schematic Page	Signal Name	Destination	Schematic Page
1	BACKPACK	GND	RS-232	19-1
2	BACKPACK	TDATA	RS-232	19-1
3	BACKPACK	RDATA	RS-232	19-1
4	BACKPACK	RTS	RS-232	19-1
5	BACKPACK	CTS	RS-232	19-1
6	BACKPACK	DSR	RS-232	19-1
7	BACKPACK	GND	RS-232	19-1
8	BACKPACK	DCD	RS-232	19-1
9	BACKPACK		RS-232	19-1
10	BACKPACK		RS-232	19-1
11	BACKPACK	STXA	RS-232	19-1
12	BACKPACK	SRX	RS-232	19-1
13	BACKPACK		RS-232	19-1
14	BACKPACK		RS-232	19-1
15	BACKPACK		RS-232	19-1
16	BACKPACK		RS-232	19-1
17	BACKPACK		RS-232	19-1
18	BACKPACK		RS-232	19-1
19	BACKPACK	STXC	RS-232	19-1
20	BACKPACK	DTR	RS-232	19-1
21	BACKPACK		RS-232	19-1
22	BACKPACK		RS-232	19-1
23	BACKPACK		RS-232	19-1
24	BACKPACK		RS-232	19-1
25	BACKPACK		RS-232	19-1

CONNECTORS AND WIRE HARNESS

J102	Schematic Page	Signal Name	Destination	Schematic Page
1	5-5	RESTART	J81	14-1
2	5-5	GND	J81	14-1
3	5-5	GND	J81	14-1
4	5-5	GND	J81	14-1
5	5-5	GND	J81	14-1
6	5-5	GND	J81	14-1
7	5-5	GND	J81	14-1
8	5-5	GND	J81	14-1
9	5-5	GND	J81	14-1
10	5-5	GND	J81	14-1
11	5-5	GND	J81	14-1
12	5-5	GND	J81	14-1
13	5-5	GND	J81	14-1
14	5-5	-12 V	J81	14-1
15	5-5	+5 V	J81	14-1
16	5-5	+5 V	J81	14-1
17	5-5	+5 V	J81	14-1
18	5-5	+15 V	J81	14-1
19	5-2	LOADED-1	J81	14-1
20	5-2	RCLK-1	J81	14-1
21	5-2	WCLK-0	J81	14-1
22	5-2	MRDATA-1	J81	14-1
23	5-2	TUTS-1	J81	14-1
24	5-2	WDATA-1	J81	14-1
25	5-2	TNIM-1	J81	14-1
26	5-2	DELAYOUT-1	J81	14-1
27	5-2	SAFE-1	J81	14-1
28	5-2	LOHOLE-1	J81	14-1
29	5-2	WR-0	J81	14-1
30	5-2	UPHOLE-1	J81	14-1
31	5-2	FAST-1	J81	14-1
32	5-2	REV-1	J81	14-1
33	5-2	DRTAPE-0	J81	14-1
34	5-2	DELAYIN-1	J81	14-1

CONNECTORS AND WIRE HARNESS

J103	Schematic Page	Signal Name	Destination	Schematic Page
1	5-5	+5 V	J31-7	13-1
2	5-2	KBCLK-0	J31-6	13-1
3	5-5	GND	J31-5	13-1
4	5-3	SHIFT-0	J31-4	13-1
5	5-3	CSHIFT-0	J31-3	13-1
6	5-3	KBHALT-1	J31-2	13-1
7	5-3	KEY-1	J31-1	13-1
8	5-5	+12 V	J60-1	16-1
9	5-3	BREAK-0	J60-3	16-1
11	5-3	SPEAKER	J60-5	16-1
13	5-5	-15 V	HC INTENSITY	
14	5-5	HARDCOPY IN- TENSITY	AND WRITE THRU POTENTIOMETERS	
15	5-5	WRITE THRU INTENSITY		
16	5-5	+15 V		
17	5-5	GND		
18	5-3	TTY-0	J30-8	13-1
19	5-3	KC6-1	J30-7	13-1
20	5-3	KCS-1	J30-6	13-1
21	5-3	KC4-1	J30-5	13-1
22	5-3	KC3-1	J30-4	13-1
23	5-3	KC2-1	J30-3	13-1
24	5-3	KC1-1	J30-2	13-1
25	5-3	KC0-1	J30-1	13-1
26	5-3	I/O-0	J60-2	16-1
27	5-5	GND	J60-6	16-1
29	5-3	BUSY-0	J60-4	16-1
30	5-5	-15 V	J45-3	6-1
31	5-5	HARD COPY IN- TENSITY	J45-2	6-1
32	5-5	WRITE THRU INTENSITY	J45-1	6-1
33	5-5	+15 V	J50-4	6-1
34	5-5	GND	J50-4	6-1

CONNECTORS AND WIRE HARNESS

J104	Schematic Page	Signal Name	Destination	Schematic Page
1	5-3	DSTAT7-1	J304-1	8-1
2	5-3	DSTAT6-1	J304-2	8-1
3	5-3	DSTAT5-1	J304-3	8-1
4	5-3	DSTAT4-1	J304-4	8-1
5	5-3	DSTAT3-1	J304-5	8-1
6	5-3	DSTAT2-1	J304-6	8-1
7	5-3	DSTAT1-1	J304-7	8-1
8	5-3	DSTAT0-1	J304-8	8-1
9	5-3	DSPINTU-0	J304-9	8-1
10	5-3	DCTL7-1	J304-10	8-1
11	5-3	DCTL6-1	J304-11	8-1
12	5-3	DCTL5-1	J304-12	8-1
13	5-3	DCTL4-1	J304-13	8-1
14	5-3	DCTL3-1	J304-14	8-1
15	5-3	DCTL2-1	J304-15	8-1
16	5-3	DCTL1-1	J304-16	8-1
17	5-3	DCTLO-1	J304-17	8-1
18	5-3	CTLSTB-1	J304-18	8-1
19	5-2	DSPRCK-1	J304-19	8-1
20	5-4	(5-4 ENT JOY)	J304-20	8-1
21	5-5	GND	J304-21	8-1
22	5-5	GND	J304-22	8-1
23	5-5	GND	J304-23	8-1
24	5-5	GND	J304-24	8-1
25	5-5	GND	J304-25	8-1
26	5-5	GND	J304-26	8-1
27	5-5	GND	J304-27	8-1
28	5-5	GND	J304-28	8-1
29	5-5	GND	J304-29	8-1
30	5-5	GND	J304-30	8-1
31	5-5	GND	J304-31	8-1
32	5-5	GND	J304-32	8-1
33	5-5	GND	J304-33	8-1
34	5-5	GND	J304-34	8-1
35	5-5	GND	J304-35	8-1
36	5-5	GND	J304-36	8-2
37	5-5	GND	J304-37	8-2
38	5-5	GND	J304-38	8-2
39	5-5	GND	J304-39	8-2
40	5-5	GND	J304-40	8-2

CONNECTORS AND WIRE HARNESS

J106	Schematic Page	Signal Name	Destination	Schematic Page
1	5-4	DIO1-0	GPIB J6-1	
2	5-4	DIO2-0	GPIB J6-2	
3	5-4	DIO3-0	GPIB J6-3	
4	5-4	DIO4-0	GPIB J6-4	
5	5-4	EOI-0	GPIB J6-5	
6	5-4	DAV-0	GPIB J6-6	
7	5-4	NRFD-0	GPIB J6-7	
8	5-4	NDAC-0	GPIB J6-8	
9	5-4	IFC-0	GPIB J6-9	
10	5-4	SRQ-0	GPIB J6-10	
11	5-4	ATN-0	GPIB J6-11	
12	5-4	GND	GPIB J6-12	
13	5-4	DIO5-0	GPIB J6-13	
14	5-4	DIO6-0	GPIB J6-14	
15	5-4	DIO7-0	GPIB J6-15	
16	5-4	DIO8-0	GPIB J6-16	
17	5-4	REN-0	GPIB J6-17	
18	5-4	GND	GPIB J6-18	
19	5-4	GND	GPIB J6-19	
20	5-4	GND	GPIB J6-20	
21	5-4	GND	GPIB J6-21	
22	5-4	GND	GPIB J6-22	
23	5-4	GND	GPIB J6-23	
24	5-4	GND	GPIB J6-24	
25				

CONNECTORS AND WIRE HARNESS

J114	Schematic Page	Signal Name	Destination	Schematic Page
1	5-3	RD7-1	J314-1	7-2
2	5-3	RD6-1	J314-2	7-2
3	5-3	RD5-1	J314-3	7-2
4	5-3	RD4-1	J314-4	7-2
5	5-3	RD3-1	J314-5	7-2
6	5-3	RD2-1	J314-6	7-2
7	5-3	RD1-1	J314-7	7-2
8	5-3	RD0-1	J314-8	7-2
9	5-3	RD11-1	J314-9	7-2
10	5-3	RD10-1	J314-10	7-2
11	5-3	RD9-1	J314-11	7-2
12	5-3	RD8-1	J314-12	7-2
13	5-3	WD7-1	J314-13	7-1
14	5-3	WD6-1	J314-14	7-1
15	5-3	WD5-1	J314-15	7-1
16	5-3	WD4-1	J314-16	7-1
17	5-3	WD3-1	J314-17	7-1
18	5-3	WD2-1	J314-18	7-1
19	5-3	WD1-1	J314-19	7-1
20	5-3	WD0-1	J314-20	7-1
21	5-5	GND	J314-21	7-2
22	5-3	WD11-1	J314-22	7-1
23	5-5	GND	J314-23	7-2
24	5-3	WD10-1	J314-24	7-1
25	5-5	GND	J314-25	7-2
26	5-3	WD9-1	J314-26	7-1
27	5-5	GND	J314-27	7-2
28	5-3	WD10-1	J314-28	7-1
29	5-5	GND	J314-29	7-2
30	5-3	BSHIFT-0	J314-30	7-1
31	5-5	GND	J314-31	7-2
32	5-3	BRESTART-0	J314-32	7-1
33	5-5	GND	J314-33	7-2
34	5-3	WD12-1	J314-34	7-1
35	5-5	GND	J314-35	7-2
36	5-3	WD13-1	J314-36	7-1
37	5-5	GND	J314-37	7-2
38	5-3	WD14-1	J314-38	7-1
39	5-5	GND	J314-39	7-2
40	5-3	WD15-1	J314-40	7-1

CONNECTORS AND WIRE HARNESS

J115	Schematic Page	Signal Name	Destination	Schematic Page
1	5-5	+20 V	C111	1-3
2	5-5	+20 V	C111	1-3
3	5-5	GND	C111	1-3
4	5-5	GND	C211	1-3
5	5-5	-20 V	C211	1-3
6	5-5	-20 V	C211	1-3

J116	Schematic Page	Signal Name	Destination	Schematic Page
1	5-5	+20 V	J82-1	14-2
2	5-5	-20 V	J82-2	14-2
3	5-5	GND	J82-3	14-2

J117	Schematic Page	Signal Name	Destination	Schematic Page
1	5-5	BASE CONTROL	BASE Q5001	5-5
2	5-5	+12 V	COLLECTOR Q5001	
3	5-5	+20 V	EMITTER Q5001	

J118	Schematic Page	Signal Name	Destination	Schematic Page
1	5-5	BASE CONTROL	BASE Q5002	5-5
2	5-5	-12 V	COLLECTOR Q5002	
3	5-5	-20 V	EMITTER Q5002	

CONNECTORS AND WIRE HARNESS

J130	Schematic Page	Signal Name	Destination	Schematic Page
4	6-1	UNREG GND	P130-4	9-1
9	6-1	+9 V UNREG	P130-9	9-1
10	6-1	-9 V UNREG	P130-10	9-1
12	6-1	+15 VOLTS	P130-12	9-1
13	6-1	+5 VOLTS	P130-13	9-1
14	6-1	-15 VOLTS	P130-14	9-1
15	6-1	REG GND	P130-15	9-1
18	6-1	HOLD-0	P130-18	9-1
20	6-1	READ-0	P130-20	9-1
21	6-1	HCPY SHIELD	P130-21	9-1
22	6-1	X HCPY RAMP	P130-22	9-1
23	6-1	XHCPY RAMP GND	P130-23	9-1
24	6-1	HCPY SHIELD	P130-24	9-1
25	6-1	Y HCPY RAMP	P130-25	9-1
26	6-1	YHCPY RAMP GND	P130-26	9-1
29	6-1	X GND	P130-29	9-1
30	6-1	+X	P130-30	9-1
31	6-1	-X	P130-31	9-1
32	6-1	Y GND	P130-32	9-1
33	6-1	-Y	P130-33	9-1
34	6-1	+Y	P130-34	9-1
35	6-1	CENTER-0	P130-35	9-1
36	6-1	SLU-0	P130-36	9-2
37	6-1	ANTIBURN	P130-37	9-2
39	6-1	ORIGIN-1	P130-39	9-1
40	6-1	Z AXIS	P130-40	9-2

CONNECTORS AND WIRE HARNESS

J130	Schematic Page	Signal Name	Destination	Schematic Page
1	12-1	TARSIG-0	J30-2	6-1
2	12-1	TARSIG GND	J30-1	6-1

J131	Schematic Page	Signal Name	Destination	Schematic Page
1	12-1	GND	J3	10-2
2	12-1	HCS-1	J3	10-2
3	12-1	+5 V	J3	10-2
4	12-1	-15 V	J3	10-2
5	12-1	+15 V	J3	10-2

J132	Schematic Page	Signal Name	Destination	Schematic Page
1	12-1	TARGET-1	J4	10-2
2	12-1	CE-2	J4	10-2
3	12-1	CE-1	J4	10-2
4	12-1	FG HTR1	J4	10-2
5	12-1	FG HTR2	J4	10-2
6	12-1	FGA	J4	10-2
7	12-1	GND	J4	10-2

CONNECTORS AND WIRE HARNESS

J133	Schematic Page	Signal Name	Destination	Schematic Page
1	10-1, 12-1	TARGET	P133	10-1, 12-1
2	10-1, 12-1	GND	P133	10-1, 12-1
3	10-1, 12-1	CATHODE	P133	10-1, 12-1
4	10-1, 12-1	CATHODE	P133	10-1, 12-1
5	10-1, 12-1	CE1	P133	10-1, 12-1
6	10-1, 12-1	CE2	P133	10-1, 12-1
7	10-1, 12-1	ANODE	P133	10-1, 12-1
8	10-1, 12-1	ANODE	P133	10-1, 12-1
9	10-1, 12-1	ANODE	P133	10-1, 12-1
10	10-1, 12-1	ANODE	P133	10-1, 12-1

J134	Schematic Page	Signal Name	Destination	Schematic Page
1	10-1, 12-1	CATHODE	P134	10-1, 12-1
2	10-1, 12-1	CATHODE	P134	10-1, 12-1
3	10-1, 12-1	FG HEATER	P134	10-1, 12-1
4	10-1, 12-1	FG HEATER	P134	10-1, 12-1
5	10-1, 12-1	FG HEATER	P134	10-1, 12-1
6	10-1, 12-1	FG HEATER	P134	10-1, 12-1
7	10-1, 12-1	FG HEATER	P134	10-1, 12-1
8	10-1, 12-1	FG HEATER	P134	10-1, 12-1
9	10-1, 12-1	FG HEATER	P134	10-1, 12-1
10	10-1, 12-1	FG HEATER	P134	10-1, 12-1

CONNECTORS AND WIRE HARNESS

J304	Schematic Page	Signal Name	Destination	Schematic Page
1	8-1	DSTAT7-1	J104-1	5-3
2	8-1	DSTAT6-1	J104-2	5-3
3	8-1	DSTAT5-1	J104-3	5-3
4	8-1	DSTAT4-1	J104-4	5-3
5	8-1	DSTAT3-1	J104-5	5-3
6	8-1	DSTAT2-1	J104-6	5-3
7	8-1	DSTAT1-1	J104-7	5-3
8	8-1	DSTAT0-1	J104-8	5-3
9	8-1	DSPINTU-0	J104-9	5-3
10	8-1	DCTL7-1	J104-10	5-3
11	8-1	DCTL6-1	J104-11	5-3
12	8-1	DCTL5-1	J104-12	5-3
13	8-1	DCTL4-1	J104-13	5-3
14	8-1	DCTL3-1	J104-14	5-3
15	8-1	DCTL2-1	J104-15	5-3
16	8-1	DCTL1-1	J104-16	5-3
17	8-1	DCTLO-1	J104-17	5-3
18	8-1	CITLSTB-1	J104-18	5-3
19	8-1	DSPRCK-1	J104-19	5-2
20	8-2	ENTJOY	J104-20	5-4
21	8-1	GND	J104-21	5-5
22	8-1	GND	J104-22	5-5
23	8-1	GND	J104-23	5-5
24	8-1	GND	J104-24	5-5
25	8-1	GND	J104-25	5-5
26	8-1	GND	J104-26	5-5
27	8-1	GND	J104-27	5-5
28	8-1	GND	J104-28	5-5
29	8-1	GND	J104-29	5-5
30	8-1	GND	J104-30	5-5
31	8-1	GND	J104-31	5-5
32	8-1	GND	J104-32	5-5
33	8-1	GND	J104-33	5-5
34	8-1	GND	J104-34	5-5
35	8-2	GND	J104-35	5-5
36	8-2	GND	J104-36	5-5
37	8-2	GND	J104-37	5-5
38	8-2	GND	J104-38	5-5
39	8-2	GND	J104-39	5-5
40	8-2	GND	J104-40	5-5

CONNECTORS AND WIRE HARNESS

J305	Schematic Page	Signal Name	Destination	Schematic Page
1	8-2	DD5-1	J306-1	8-2
2	8-2	DD4-1	J306-2	8-2
3	8-2	DD3-1	J306-3	8-2
4	8-2	DD2-1	J306-4	8-2
5	8-2	DD1-1	J306-5	8-2
6	8-2	DD0-1	J306-6	8-2
7	8-1	BSHIFT-0	J306-7	7-1
8	8-2	ZGATE	J306-8	7-2
9				
10	8-1	LXRAT-0	J306-10	7-1
11	8-1	LXPOS-0	J306-11	7-1
12	8-1	SELX0-0	J306-12	7-2
13	8-1	UIP-0	J306-13	7-1
14	8-2	WDIR-1	J306-14	7-2
15	8-2	XGIN-0	J306-15	7-2
16	8-2	CXSTEP	J306-16	7-1
17	8-1	XCLIP	J306-17	7-2
18	8-1	D01-1	J306-18	
19	8-1	D02-1	J306-19	
20				
21	8-2	DD6-1	J306-21	7-1
22	8-2	DD7-1	J306-22	7-1
23	8-2	DD8-1	J306-23	7-1
24	8-2	DD9-1	J306-24	7-1
25	8-2	DD10-1	J306-25	7-1
26	8-2	DD11-1	J306-26	7-1
27				
28				
29				
30	8-1	LYRAT-0	J306	7-1
31	8-1	LYPOS-0	J306	7-1
32	8-2	NOLI-1	J306	7-2
33	8-1	SELY-0	J306	7-2
34	8-1	VIP-1	J306	7-1
35	8-2	YDIR	J306	7-2
36	8-2	YGIN-0	J306	7-2
37				
38	8-1	YCLIP-1	J306	7-2
39	8-1	DCLK-1	J306	7-1
40	8-1	BRESTART-0	J306	7-1

CONNECTORS AND WIRE HARNESS

J306	Schematic Page	Signal Name	Destination	Schematic Page
1	7-1	DD5-1	J305-1	8-2
2	7-1	DD4-1	J305-2	8-2
3	7-1	DD3-1	J305-3	8-2
4	7-1	DD2-1	J305-4	8-2
5	7-1	DD1-1	J305-5	8-2
6	7-1	DD0-1	J305-6	8-2
7	7-1	BSHIFT-0	J305-7	8-1
8	7-2	Z GATE-1	J305-8	8-2
9				
10	7-1	LXRAT-0	J305-10	8-1
11	7-2	LXPOS-0	J305-11	8-1
12	7-2	SELX0-0	J305-12	
13	7-1	VIP-0	J305-13	8-1
14	7-2	XDIR-1	J305-14	8-2
15	7-2	XGIN-0	J305-15	8-2
16	7-1	CXSTEP	J305-16	8-2
17	7-2	XCLIP	J305-17	8-1
18				
19				
20				
21	7-1	DD6-1	J305-21	8-2
22	7-1	DD7-1	J305-22	8-2
23	7-1	DD8-1	J305-23	8-2
24	7-1	DD9-1	J305-24	8-2
25	7-1	DD10-1	J305-25	8-2
26	7-1	DD11-1	J305-26	8-2
27				
28				
29				
30	7-1	LYRAT-0	J305-30	8-1
31	7-2	LYPOS-0	J305-31	8-1
32	7-2	NOLI-1	J305-32	8-2
33	7-2	SELY0-0	J305-33	8-1
34	7-1	VIP-1	J305-34	8-1
35	7-2	YDIR-1	J305-35	8-2
36	7-2	YGIN-0	J305-36	8-2
37	7-1	CYSTEP-1	J305-37	8-2
38	7-2	YCLIP-1	J305-38	8-1
39	7-2	DCLK-1	J305-39	8-1
40	7-1	RESTART-0	J305-40	8-1

CONNECTORS AND WIRE HARNESS

J307	Schematic Page	Signal Name	Destination	Schematic Page
1	8-2	GND 3	J40-5	
2	8-2	X JOY	J40-3	
3	8-2	GND 3	J40-4	
4	8-2	-15 V	J40-6	
5	8-2	+15 V	J40-1	
6	8-2	SELECT-0	J40-2	
7	8-2	Y JOY	J40-8	
8	8-2	GND	J40-9	
9	8-2	ENTJOY-0	J40-7	

J308	Schematic Page	Signal Name	Destination	Schematic Page
1	8-2	+15 VOLTS		THUMBWHEELS
2	8-2	- XPOT		THUMBWHEELS
3	8-2	- YPOT		THUMBWHEELS
4	8-2	-15 VOLTS		THUMBWHEELS

CONNECTORS AND WIRE HARNESS

J314	Schematic Page	Signal Name	Destination	Schematic Page
1	7-2	RD7-1	J114-1	5-3
2	7-2	RD6-1	J114-2	5-3
3	7-2	RD5-1	J114-3	5-3
4	7-2	RD4-1	J114-4	5-3
5	7-2	RD3-1	J114-5	5-3
6	7-2	RD2-1	J114-6	5-3
7	7-2	RD1-1	J114-7	5-3
8	7-2	RD0-1	J114-8	5-3
9	7-2	RD11-1	J114-9	5-3
10	7-2	RD10-1	J114-10	5-3
11	7-2	RD9-1	J114-11	5-3
12	7-2	RD8-1	J114-12	5-3
13	7-1	WD7-1	J114-13	5-3
14	7-1	WD6-1	J114-14	5-3
15	7-1	WD5-1	J114-15	5-3
16	7-1	WD4-1	J114-16	5-3
17	7-1	WD3-1	J114-17	5-3
18	7-1	WD2-1	J114-18	5-3
19	7-1	WD1-1	J114-19	5-3
20	7-1	WD0-1	J114-20	5-3
21	7-2	GND	J114-21	5-5
22	7-1	WD11-1	J114-22	5-3
23	7-2	GND	J114-23	5-5
24	7-1	WD10-1	J114-24	5-3
25	7-2	GND	J114-25	5-5
26	7-1	WD9-1	J114-26	5-3
27	7-2	GND	J114-27	5-5
28	7-1	WD8-1	J114-28	5-3
29	7-2	GND	J114-29	5-5
30	7-1	BSHIFT	J114-30	5-3
31	7-2	GND	J114-31	5-5
32	7-1	RESTART-0	J114-32	5-3
33	7-2	GND	J114-33	5-5
34	7-1	WD12-1	J114-34	5-3
35	7-2	GND	J114-35	5-5
36	7-1	WD13-1	J114-36	5-3
37	7-2	GND	J114-37	5-5
38	7-1	WD14-1	J114-38	5-3
39	7-2	GND	J114-39	5-5
40	7-1	WD15-1	J114-40	5-3

CONNECTORS AND WIRE HARNESS

J330	Schematic Page	Signal Name	Destination	Schematic Page
1				
2				
3				
4				
5				
6				
7				
8				
9				
10				
11	7-1	GND	P330-11	6-1
12	7-1	+15 VOLTS	P330-12	6-1
13	7-1	+5 VOLTS	P330-13	6-1
14	7-1	-15 VOLTS	P330-14	6-1
15				
16				
17				
18				
19				
20				
21				
22				
23				
24				
25				
26				
27				
28				
29	7-1	X-GND	P330-29	6-1
30	7-1	X +	P330-30	6-1
31	7-1	X -	P330-31	6-1
32	7-1	Y-GND	P330-32	6-1
33	7-1	Y -	P330-33	6-1
34	7-1	Y +	P330-34	6-1
35				
36				
37				
38				
39				
40				

CONNECTORS AND WIRE HARNESS

J430	Schematic Page	Signal Name	Destination	Schematic Page
1	10-2	+490 V	P430-1	6-1
2	10-2	+290 V	P430-2	6-1
3	10-2	+175 V	P430-3	6-1
5	10-1	FG HEATER	P430-5	6-1
6	10-1	FG HEATER	P430-6	6-1
12	10-2	+15 V	P430-12	6-1
13	10-2	+5 V	P430-13	6-1
14	10-2	-15 V	P430-14	6-1
15	10-2	GND	P430-15	6-1
18	10-2	HOLD-0	P430-18	6-1
19	10-2	WAIT-0	P430-19	6-1
20	10-2	READ-0	P430-20	6-1
39	10-2	ORIGIN-1	P430-39	6-1
40	10-1	NONSTORE-0	P430-40	6-1
41	10-2	HCS-0	P430-41	6-1
42	10-2	VIEW-0	P430-42	6-1
43	10-2	DBUSY	P430-43	6-1
44	10-2	ERASE-0	P430-44	6-1
46	10-2	Z AXIS	P430-46	6-1
50	10-2	GBUSY-0	P430-50	6-1

CONNECTORS AND WIRE HARNESS

P28	Schematic Page	Signal Name	Destination	Schematic Page
1	1-1	GND	P28-1	1-2
2	1-1	R12	P28-2	1-2
3	1-1	+12 V	P28-3	1-2
4				
5				
6	1-1	T531	P28-6	1-2
7				
8	1-1	R521	P28-8	1-2
9				
10	1-1	R321	P28-10	1-2

P29	Schematic Page	Signal Name	Destination	Schematic Page
1	1-2	GND	P259-1	3-3
2	1-2	GND	P259-2	3-3
3	1-2	GND	P259-3	3-3
4	1-2	GND	P259-4	3-3
5	1-2	+5 V SENSE GND	P259-5	3-3
6	1-2	+5 V SENSE	P259-6	3-3
7	1-2	+5 V	P259-7	3-3
8	1-2	+5 V	P259-8	3-3
9	1-2	+5 V	P259-9	3-3
10	1-2	+5 V	P259-10	3-3

CONNECTORS AND WIRE HARNESS

P101-A	Schematic Page	Signal Name	Destination	Schematic Page
A1	4-3	DIO1-0	P101-A1	5-4
A2	4-3	DIO2-0	P101-A2	5-4
A3	4-3	DIO3-0	P101-A3	5-4
A4	4-3	DIO4-0	P101-A4	5-4
A5	4-3	DIO5-0	P101-A5	5-4
A6	4-3	DIO6-0	P101-A6	5-4
A7	4-3	DIO7-0	P101-A7	5-4
A8	4-3	DIO8-0	P101-A8	5-4
A9	4-3	SRQ-0	P101-A9	5-4
A10	4-3	DAV-0	P101-A10	5-4
A11	4-5	GND	P101-A11	
A12	4-3	ERLP1A-1	P101-A12	5-1
A13	4-3	DSPINT-0	P101-A13	5-3
A14	4-3	EXTN-0	P101-A14	5-1
A15				
A16	4-3	DAX-0	P101-A16	5-1
A17	4-3	EXTRQ-0	P101-A17	5-1
A18				
A19	4-2	4ONSCLK-1	P101-A19	5-1
A20	4-3	EPIAS-0	P101-A20	5-1
A21	4-3	IRQ-0	P101-A21	5-4
A22	4-3	PIAS-0	P101-A22	5-1
A24	4-5	AEA6-1	P101-A24	5-1
A25	4-5	AEA7-1	P101-A25	5-1
A26	4-5	AEA8-1	P101-A26	5-1
A27	4-5	AEA9-1	P101-A27	5-1
A28	4-5	AEA10-1	P101-A28	5-1
A29	4-5	AEA11-1	P101-A29	5-1
A30	4-5	AEA12-1	P101-A30	5-1
A31	4-5	AEA13-1	P101-A31	5-1
A32	4-5	AEA14-1	P101-A32	5-1
A33	4-5	AEA15-1	P101-A33	5-1
A34				
A35				
A36				
A37				
A38	4-5	+12 V	P101-A38	5-5
A39	4-5	+12 V	P101-A39	5-5
A40	4-5	+12 V	P101-A40	5-5
A41	4-5	-12 V	P101-A41	5-5
A42	4-5	-12 V	P101-A42	5-5

CONNECTORS AND WIRE HARNESS

P101-B	Schematic Page	Signal Name	Destination	Schematic Page
B1	4-3	NRFD-0	P101-B1	5-4
B2	4-3	NDAC-0	P101-B2	5-4
B3	4-3	EOI-0	P101-B3	5-4
B4	4-3	IFC-0	P101-B4	5-4
B5	4-3	REN-0	P101-B5	5-4
B6	4-3	ATN-0	P101-B6	5-4
B7	4-5	+5 V	P101-B7	5-5
B8	4-5	+5 V	P101-B8	5-5
B9	4-5	+5 V	P101-B9	5-5
B10	4-5	+5 V	P101-B10	5-5
B11	4-5	GND	P101-B11	5-5
B12	4-5	GND	P101-B12	5-5
B13	4-5	GND	P101-B13	5-5
B14	4-5	GND	P101-B14	5-5
B15	4-5	GND	P101-B15	5-5
B16	4-5	GND	P101-B16	5-5
B17	4-3	SLOW-0	P101-B17	5-1
B18				
B19	4-4	XLRPER-1	P101-B19	5-1
B20				
B21	4-3	NMI-0	P101-B21	5-2
B22				
B23	4-5	AEA3-1	P101-B23	5-4
B24	4-5	AEA4-1	P101-B24	5-4
B25	4-5	AEA5-1	P101-B25	5-5
B26		IPIAS-0	P101-B26	5-4
B27	4-1	EXD7-1	P101-B27	5-4
B28	4-1	EXD6-1	P101-B28	5-4
B29	4-1	EXD5-1	P101-B29	5-4
B30	4-1	EXD4-1	P101-B30	5-4
B31	4-1	EXD3-1	P101-B31	5-4
B32	4-1	EXD2-1	P101-B32	5-4
B33	4-1	EXD1-1	P101-B33	5-4
B34	4-1	EXD0-1	P101-B34	5-4
B35	4-3	PIAE-1	P101-B35	5-1
B36	4-2	R-1/W-0	P101-B36	5-1
B37	4-5	AEA2-1	P101-B37	5-4
B38	4-5	AEA0-1	P101-B38	5-4
B39	4-5	AEAI-1	P101-B39	5-4
B40	4-4	RESTART-0	P101-B40	5-5
B41	4-3	CMCLK-1	P101-B41	5-2
B42		COMCLK/4-1	P101-B42	5-2

CONNECTORS AND WIRE HARNESS

P154-A	Schematic Page	Signal Name	Destination	Schematic Page
A1	4-1	MB0-1	P254-A1	3-4
A2	4-1	MB1-1	P254-A2	3-4
A3	4-1	MB2-1	P254-A3	3-4
A4	4-1	MB3-1	P254-A4	3-4
A5	4-1	MB4-1	P254-A5	3-4
A6	4-1	MB5-1	P254-A6	3-4
A7	4-1	MB6-1	P254-A7	3-4
A8	4-1	MB7-1	P254-A8	3-4
A9	4-1	MB8-1	P254-A9	3-4
A10	4-1	MB9-1	P254-A10	3-4
A11	4-1	MB10-1	P254-A11	3-4
A12	4-1	MB11-1	P254-A12	3-4
A13	4-1	MB12-1	P254-A13	3-4
A14	4-1	MB13-1	P254-A14	3-4
A15	4-1	MB14-1	P254-A15	3-4
A16	4-1	MB15-1	P254-A16	3-4

P154-B	Schematic Page	Signal Name	Destination	Schematic Page
B1	4-5	+5V	P254-B1	3-3
B2	4-5	+5V	P254-B2	3-3
B3	4-5	+5V	P254-B3	3-3
B4	4-5	+5V	P254-B4	3-3
B5	4-5	+5V	P254-B5	3-3
B6	4-5	+5V	P254-B6	3-3
B7	4-5	+5V	P254-B7	3-3
B8	4-5	+5V	P254-B8	3-3
B9	4-5	+5V	P254-B9	3-3
B10	4-5	GND	P254-B10	3-3
B11	4-5	GND	P254-B11	3-3
B12	4-5	GND	P254-B12	3-3
B13	4-5	GND	P254-B13	3-3
B14	4-5	GND	P254-B14	3-3
B15	4-5	GND	P254-B15	3-3
B16	4-5	GND	P254-B16	3-3
B17	4-5	GND	P254-B17	3-3

CONNECTORS AND WIRE HARNESS

P155-A	Schematic Page	Signal Name	Destination	Schematic Page
A1	4-2	M4ONSCLK-1	P255-A1	3-1
A2	4-3	COMCLK-1	P255-A2	3-3
A3	4-2	ADDRVALID-0	P255-A3	3-1
A4	4-2	ADRACPT-0	P255-A4	3-1
A5	4-3	DATAVALID-0	P255-A5	3-1
A6	4-2	DCNFRM-0	P255-A8	3-1
A7	4-4	RESTART-0	P255-A7	3-1
A8	4-1	MSPACE-1	P255-A8	3-3
A9	4-2	MREAD-1	P255-A9	3-2
A10	4-2	MWORD-1	P255-A10	3-2
A11	4-2	MINDIRECT-0	P255-A11	3-1
A12	4-2	EXT-0	P255-A12	
A13	4-3	NMI-0	P255-A13	3-3
A14	4-3	DSPINT-0	P255-A14	3-3
A15	4-3	IRQ-0	P255-A15	3-3
A16	4-4	HWDFAIL-0	P255-A16	3-3

P155-B	Schematic Page	Signal Name	Destination	Schematic Page
B1	4-5	GND	P255-B1	3-3
B2	4-5	GND	P255-B2	3-3
B3	4-5	GND	P255-B3	3-3
B4	4-5	GND	P255-B4	3-3
B5	4-5	GND	P255-B5	3-3
B6	4-5	GND	P255-B6	3-3
B7	4-5	GND	P255-B7	3-3
B8	4-5	GND	P255-B8	3-3
B9	4-5	GND	P255-B9	3-3
B10	4-5	GND	P255-B10	3-3
B11	4-5	GND	P255-B11	3-3
B12	4-5	GND	P255-B12	3-3
B13	4-5	GND	P255-B13	3-3
B14	4-5	GND	P255-B14	3-3
B15	4-5	GND	P255-B15	3-3
B16	4-5	GND	P255-B16	3-3
B17	4-5	GND	P255-B17	3-3

CONNECTORS AND WIRE HARNESS

P201-A	Schematic Page	Signal Name	Destination	Schematic Page
A1	2-5	+5V	P201-A1	3-3
A2	2-5	+5V	P201-A2	3-3
A3	2-5	GND	P201-A3	3-3
A4	2-5	GND	P201-A4	3-3
A5	2-2	INTREG-1	P201-A5	3-1
A6	2-3	BRANCH-1	P201-45	3-1
A7	2-1	ALUACPT-1	P201-A7	3-1
A8	2-5	CCRD-1	P201-A8	3-2
A9	2-1	PLRDY-0	P201-A9	3-2
A10	2-3	PLMCO-1	P201-A11	3-2
A11	2-3	PLMC2-1	P201-A10	3-1
A12	2-2	IMMED8-1	P201-A12	3-2
A13	2-2	DIRECT-1	P201-A13	3-2
A14	2-2	FCREAD-1	P201-A14	3-2
A15	2-1	25MHZ-1	P201-A15	3-1
A16	2-2	FRA0-1	P201-A16	3-4
A17	2-2	FRA2-1	P201-A17	3-4
A18	2-2	FRA4-1	P201-A18	3-4
A19	2-2	FRA6-1	P201-A19	3-4
A20	2-1	LWONFI-1	P201-A20	
A21	2-4	ALUINO-1	P201-A21	3-4
A22	2-4	ALUIN2-1	P201-A22	3-4
A23	2-4	ALUIN4-1	P201-A23	3-4
A24	2-4	ALUIN6-1	P201-A24	3-4
A25	2-4	ALUIN8-1	P201-A25	3-4
A26	2-4	ALUIN10-1	P201-A26	3-4
A27	2-4	ALUIN12-1	P201-A27	3-4
A28	2-4	ALUIN14-1	P201-A28	3-4
A29	2-4	ALUOUT0-1	P201-A29	3-4
A30	2-4	ALUOUT2-1	P201-A30	3-4
A31	2-4	ALUOUT4-1	P201-A31	3-4
A32	2-4	ALUOUT6-1	P201-A32	3-4
A33	2-4	ALUOUT8-1	P201-A33	3-4
A34	2-4	ALUOUT10-1	P201-A34	3-4
A35	2-4	ALUOUT12-1	P201-A35	3-4
A36	2-4	ALUOUT14-1	P201-A36	3-4
A37	2-3	LMODE-0	P201-A37	3-2
A38	2-1	RESTART-0	P201-A38	3-1
A39	2-2	IRQ-0	P201-A39	3-3
A40	2-2	DSPINT-0	P201-A40	3-3
A41	2-5	+5 V	P201-A41	3-3
A42	2-5	+5 V	P201-A42	3-3

CONNECTORS AND WIRE HARNESS

P201-B	Schematic Page	Signal Name	Destination	Schematic Page
B1	2-5	GND	P201-B1	3-3
B2	2-5	GND	P201-B2	3-3
B3	2-5	+5 V	P201-B3	3-3
B4	2-5	+5 V	P201-B4	3-3
B5				
B6	2-1	NEXT-0	P201-B6	3-2
B7	2-1	MPCDAV-1	P201-B7	3-2
B8	2-5	CCRF-1	P201-B8	3-2
B9	2-1	FRBUSY-1	P201-B9	3-1
B10	2-3	PLMC1-1	P201-B9	3-1
B11	2-1	FRCLK-1	P201-B11	3-2
B12	2-2	IMMED16-1	P201-B12	3-2
B13	2-2	EXTENDED-1	P201-B13	3-2
B14	2-2	8-1/16-0	P201-B14	3-2
B15	2-1	CPUCLK-1	P201-B15	3-1
B16	2-2	FRA1-1	P201-B16	3-4
B17	2-2	FRA3-1	P201-B17	3-4
B18	2-2	FRA5-1	P201-B18	3-4
B19	2-2	FRA7-1	P201-B19	3-4
B20	2-2	HWDFAIL-0	P201-B20	3-3
B21	2-4	ALUIN1-1	P201-B21	3-4
B22	2-4	ALUIN3-1	P201-B22	3-4
B23	2-4	ALUIN5-1	P201-B23	3-4
B24	2-4	ALUIN7-1	P201-B24	3-4
B25	2-4	ALUIN9-1	P201-B25	3-4
B26	2-4	ALUIN11-1	P201-B26	2-4
B27	2-4	ALUIN13-1	P201-B27	3-4
B28	2-4	ALUIN15-1	P201-B28	3-4
B29	2-4	ALUOUT1-1	P201-B29	3-4
B30	2-4	ALUOUT3-1	P201-B30	3-4
B31	2-4	ALUOUT5-1	P201-B31	3-4
B32	2-4	ALUOUT7-1	P201-B32	3-4
B33	2-4	ALUOUT9-1	P201-B33	3-4
B34	2-4	ALUOUT11-1	P201-B34	3-4
B35	2-4	ALUOUT13-1	P201-B35	3-4
B36	2-4	ALUOUT15-1	P201-B36	3-4
B37	2-3	MHOLD-0	P201-B37	3-2
B38	2-1	FRCLR-1	P201-B38	3-1
B39	2-2	NMI-0	P201-B39	3-3
B40	2-1	COMCLK-1	P201-B40	3-3
B41	2-5	GND	P201-B41	3-3
B42	2-5	GND	P201-B42	3-3

CONNECTORS AND WIRE HARNESS

P254-A	Schematic Page	Signal Name	Destination	Schematic Page
A1	3-4	MB0-1	P154-A1	4-1
A2	3-4	MB1-1	P154-A2	4-1
A3	3-4	MB2-1	P154-A3	4-1
A4	3-4	MB3-1	P154-A4	4-1
A5	3-4	MB4-1	P154-A5	4-1
A6	3-4	MB5-1	P154-A6	4-1
A7	3-4	MB6-1	P154-A7	4-1
A8	3-4	MB7-1	P154-A8	4-1
A9	3-4	MB8-1	P154-A9	4-1
A10	3-4	MB9-1	P154-A10	4-1
A11	3-4	MB10-1	P154-A11	4-1
A12	3-4	MB11-1	P154-A12	4-1
A13	3-4	MB12-1	P154-A13	4-1
A14	3-4	MB13-1	P154-A14	4-1
A15	3-4	MB14-1	P154-A15	4-1
A16	3-4	MB15-1	P154-A16	4-1

P254-B	Schematic Page	Signal Name	Destination	Schematic Page
B1	3-3	+5V	P154-B1	4-5
B2	3-3	+5V	P154-B2	4-5
B3	3-3	+5V	P154-B3	4-5
B4	3-3	+5V	P154-B4	4-5
B5	3-3	+5V	P154-B5	4-5
B6	3-3	+5V	P154-B6	4-5
B7	3-3	+5V	P154-B7	4-5
B8	3-3	+5V	P154-B8	4-5
B9	3-3	+5V	P154-B9	4-5
B10	3-3	GND	P154-B10	4-5
B11	3-3	GND	P154-B11	4-5
B12	3-3	GND	P154-B12	4-5
B13	3-3	GND	P154-B13	4-5
B14	3-3	GND	P154-B14	4-5
B15	3-3	GND	P154-B15	4-5
B16	3-3	GND	P154-B16	4-5
B17	3-3	GND	P154-B17	4-5

CONNECTORS AND WIRE HARNESS

P255-A	Schematic Page	Signal Name	Destination	Schematic Page
A1	3-1	M4ONSCLK-1	P155-A1	4-2
A2	3-3	CMCLK-1	P155-A2	4-3
A3	3-1	ADDRVALID-0	P155-A3	4-2
A4	3-1	ADRACPT-0	P155-A4	4-2
A5	3-1	DATAVALILD-0	P155-A5	4-3
A6	3-1	DCNFRM-0	P155-A6	4-2
A7	3-1	RESTART-0	P155-A7	4-4
A8	3-3	MSPACE-1	P155-A8	4-1
A9	3-2	MREAD-1	P155-A9	4-2
A10	3-2	MWORD-1	P155-A10	4-2
A11	3-1	MINDIRECT-0	P155-A11	4-2
A12		EXT-0	P155-A12	4-2
A13	3-3	NMI-0	P155-A13	4-3
A14	3-3	DSPINT-0	P155-A14	4-3
A15	3-3	IRQ-0	P155-A15	4-3
A16	3-3	HWDFAIL-0	P155-A16	4-4
A17				

P255-B	Schematic Page	Signal Name	Destination	Schematic Page
B1	3-3	GND	P155-B1	4-5
B2	3-3	GND	P155-B2	4-5
B3	3-3	GND	P155-B3	4-5
B4	3-3	GND	P155-B4	4-5
B5	3-3	GND	P155-B5	4-5
B6	3-3	GND	P155-B6	4-5
B7	3-3	GND	P155-B7	4-5
B8	3-3	GND	P155-B8	4-5
B9	3-3	GND	P155-B9	4-5
B10	3-3	GND	P155-B10	4-5
B11	3-3	GND	P155-B11	4-5
B12	3-3	GND	P155-B12	4-5
B13	3-3	GND	P155-B13	4-5
B14	3-3	GND	P155-B14	4-5
B15	3-3	GND	P155-B15	4-5
B16	3-3	GND	P155-B16	4-5
B17	3-3	GND	P155-B17	4-5

CONNECTORS AND WIRE HARNESS

P259	Schematic Page	Signal Name	Destination	Schematic Page
1	3-3	GND	P29-1	1-2
2	3-3	GND	P29-2	1-2
3	3-3	GND	P29-3	1-2
4	3-3	GND	P29-4	1-2
5	3-3	+5V SENSE GND	P29-5	1-2
6	3-3	+5V SENSE	P29-6	1-2
7	3-3	+5V	P29-7	1-2
8	3-3	+5V	P29-8	1-2
9	3-3	+5V	P29-9	1-2
10	3-3	+5V	P29-10	1-2

J360	Schematic Page	Signal Name	Destination	Schematic Page
1	15-1	LAMP ON	J87-8	14-1
2	15-1	LAMP ON RETURN	J87-9	14-1

J361	Schematic Page	Signal Name	Destination	Schematic Page
1	15-1	LOADED-1	J87-1	14-2
2	15-1	SAFESW	J87-2	14-1
3	15-1	+15V1	J87-3	14-1
4	15-1	+5V	J87-4	14-2
5	15-1	GND	J87-5	14-2
6	15-1	UPHOLE	J87-6	14-1
7	15-1	LOHOLE	J87-7	14-1

Section 4

SIGNAL NAME CROSS REFERENCE AND DESCRIPTION

The following list defines the signal mnemonics used by the 4054 Graphic Computing System. The list also locates the source and destination of each signal by schematic page and connector number.

The Interconnect Board has a signal bus that connects the display boards. Each line of the bus has an assigned number that is also the pin number for the Interconnect Board's side of a connector. However, connectors from other assemblies that plug onto the Interconnect Board may use a different numbering method. To reduce confusion in locating a signal's pin number, this listing uses the following symbols. (The number in square brackets is the board number of the schematic pages where the connector is shown.)

Pxx-x* Indicates the pin number of the connector;
Jxx-x* Indicates the bus number on the Interconnect Board.

The following connectors have the same numbers:

- P30-xx[6] Display Interconnect Board
- P30-xx[13] Keyboard
- P40-xx[11] High Voltage and Z Axis Board
- P40-xx[J] Joystick connector on back panel
- P60-xx[6] Display Interconnect Board
- P60-xx[16] Indicator Lights Board
- P130-xx[9] Deflection Amplifier Board
- P130-xx[12] Hard Copy Amplifier Board

SIGNAL NAMES

Signal Name	Source (Schematic Page)	Destination (Schematic Page)	Description
25MHZ-1	2-1	3-1 P201-A15	25 MEGAHERTZ CLOCK This signal is the system clock from the ALU Board to the MCP Board.
2NDEXTBYTE-0	4-3	4-2	SECOND EXTERNAL DATA BYTE This signal increments the address adder by 1 for the second byte of data from the external bus.
40NSCLK-1	4-2	5-1 P101-A19	40 NANOSECOND CLOCK This signal is the system clock from the MCP Board to the MAS Board.
8-1/16-0	2-2	3-2 P201-B14	8 BITS OR 16 BITS This signal is from the Fetch ROM to the MCP Board. A high indicates that eight bits of data are required; a low indicates that 16 bits of data are required by the ALU Board.
AARECV-1	3-1	3-2 3-3	ADDRESS ACCEPTED RECEIVED This signal is the latched indicator on the MCP Board that the MAS Board has accepted the address.
ADDRCLK-1	4-2	4-1	ADDRESS LATCH CLOCK This clock is used to latch the address from the MB0-15 data lines.
ADDRVALID-0	3-1	4-2 P155-A3 P255-A3	ADDRESS VALID This signal indicates to the MAS Board that the data on the MB0-1 through MB15-1 lines is a valid address.

SIGNAL NAMES

Signal Name	Source (Schematic Page)	Destination (Schematic Page)	Description
ADRACPT-0	4-2	3-1 P155-A4 P255-A4	ADDRESS ACCEPTED This signal indicates to the MCP Board that the address sent to the MAS Board has been accepted.
AEORAMO-1	2-4	2-5	ARITHMETIC ELEMENT 0 RAM 0 This signal is the least significant bit input or output of the RALU. The line is used during shift operations (left, right, 8 bits, or 16 bits).
AEA0-1	4-5 5-4	5-2 5-3 5-4 P101-B38 J5-A8	RAM EVEN ADDRESS An even RAM address line. Also an I/O address line from the MAS Board.
AEA1-1	4-5 5-4	5-2 5-3 5-4 P101-B39 J5-A9	RAM EVEN ADDRESS See AEA0-1.
AEA2-1	4-5 5-4	5-3 5-4 P101-B37 J5-A10	RAM EVEN ADDRESS See AEA0-1.
AEA3-1	4-5 5-4	5-2 5-3 5-4 P101-B23 J5-A11	RAM EVEN ADDRESS See AEA0-1.
AEA4-1	4-5 5-4	5-2 5-3 5-4 P101-B24 J5-B13	RAM EVEN ADDRESS See AEA0-1.

SIGNAL NAMES

Signal Name	Source (Schematic Page)	Destination (Schematic Page)	Description
AEA5-1	4-5 5-4	5-3 P101-B25 J5-B12	RAM EVEN ADDRESS See AEA0-1.
AEA6-1	4-5	5-1 P101-A24 J5-B11	RAM EVEN ADDRESS See AEA0-1.
AEA7-1	4-5	5-1 P101-A25 J5-B6	RAM EVEN ADDRESS See AEA0-1.
AEA8-1	4-5	5-1 P101-A26 J5-B5	RAM EVEN ADDRESS See AEA0-1.
AEA9-1	4-5	5-1 P101-A27 J5-B4	RAM EVEN ADDRESS See AEA0-1.
AEA10-1	4-5	5-1 P101-A28 J5-A1	RAM EVEN ADDRESS See AEA0-1.
AEA11-1	4-5	5-1 P101-A29 J5-B14	RAM EVEN ADDRESS See AEA0-1.
AEA12-1	4-5	5-1 P101-A30 J5-A6	RAM EVEN ADDRESS See AEA0-1.
AEA13-1	4-5	5-1 P101-A31 J5-B7	RAM EVEN ADDRESS See AEA0-1.
AEA14-1	4-5	5-1 P101-A32 J5-A7	RAM EVEN ADDRESS See AEA0-1.

Signal Name	Source (Schematic Page)	Destination (Schematic Page)	Description
AEA15-1	4-5	5-1 P101-A33 J5B8	RAM EVEN ADDRESS See AEA0-1.
AEBC-1	2-4	2-5	ARITHMETIC ELEMENT BYTE CARRY This signal is the bit 0-thru-bit 7 carry output of the RALU to the Condition Code Set-up.
AEBH-1	2-4	2-5	ARITHMETIC ELEMENT BYTE HALF-CARRY This signal is the half-carry between bit 3 and bit 4 of the RALU to the Condition Code Set-up.
AEBN-1	2-4	2-5	ARITHMETIC ELEMENT BYTE NEGATIVE This signal indicates a negative condition for 2's complement arithmetic. The output is from bit 7 of the RALU to the Condition Code Set-up.
AEBV-1	2-4	2-5	ARITHMETIC ELEMENT BYTE OVERFLOW This signal indicates an overflow condition during a 2's complement arithmetic operation for bits 0 thru 7.
AEBZ-1	2-4	2-5	ARITHMETIC ELEMENT BYTE ZERO This line indicates a zero condition (all bits set to zero) in the selected RALU register for bits 0 thru 7.
AECA0-1 thru AECA3-1	2-3	2-4	ARITHMETIC ELEMENT CONTROL A REGISTER ADDRESS These are the four address lines to the RALU from the Pipeline Register used to select a RALU register file for output at the A port in the 2901.

SIGNAL NAMES

Signal Name	Source (Schematic Page)	Destination (Schematic Page)	Description
AECB0-1 thru AECV3-1	2-3	2-4	ARITHMETIC ELEMENT CONTROL B REGISTER ADDRESS These are the four address lines to the RALU from the Pipeline Register used to select a RALU register file for output at the B port in the 2901.
AECIO-1 thru AECI8-1	2-3	2-4	ARITHMETIC ELEMENT CONTROL INSTRUCTION These are the nine control lines from the Pipeline Register to the RALU. AECIO thru AECI2 are used to determine the data source. AECI3 thru AECI5 are used to determine the operation to be performed. AECI6 thru AECI8 are used to determine the destination of the data after the operation.
AEN-0	3-1	3-2	ADDRESS ENABLE This signal enables the effective address on the MBO thru MB15 lines for the MAS Board.
AEN-1	3-1	3-3	ADDRESS ENABLE This signal enables the effective address on the MBO thru MB15 lines for the MAS Board.
AES0-1 thru AES2-1	2-3	2-2 2-4	ARITHMETIC ELEMENT SHIFT CONTROL These are the three control lines from the Pipeline Register to the Shift Control and to the RALU Constant Load. LMODE-1 determines the function of these lines.

SIGNAL NAMES

Signal Name	Source (Schematic Page)	Destination (Schematic Page)	Description
AEWC-1	2-4	2-5	ARITHMETIC ELEMENT WORD CARRY This is the carry of a 16-bit operation from the RALU to the Condition Code Set-up.
AEWN-1	2-4	2-5	ARITHMETIC ELEMENT WORD NEGATIVE This is the output from the RALU bit 15 to the Condition Code Set-up indicating a 2'S complement negative condition for 16-bit arithmetic operations.
AEWV-1	2-4	2-5	ARITHMETIC ELEMENT WORD OVERFLOW This line indicates an overflow condition for 16-bit 2's complement arithmetic operations.
AEWZ-1	2-4	2-5	ARITHMETIC ELEMENT WORD ZERO This signal indicates that the selected register file in the RALU has all 16 bits set to zero.
ALUACPT-1	3-1	2-1 P201-A7	ALU ACCEPTED This signal indicates to the ALU Board that the data sent over the ALUOUT0 thru ALUOUT15 lines has been accepted by the MCP Board.
ALUINO-1	2-2 2-5 3-4	2-4 P201-A21	ARITHMETIC LOGICAL UNIT DATA INPUT This signal is data input to the RALU from the MCP Board, the RALU Constant Load, or the Condition Code Register.
ALUIN1-1	2-2 2-5 3-4	2-4 P201-B21	ARITHMETIC LOGICAL UNIT DATA INPUT See ALUINO-1.

SIGNAL NAMES

Signal Name	Source (Schematic Page)	Destination (Schematic Page)	Description
ALUIN2-1	2-2 2-5 3-4	2-4 P201-A22	ARITHMETIC LOGICAL UNIT DATA INPUT See ALUINO-1.
ALUIN3-1	2-2 2-5 3-4	2-4 P201-B22	ARITHMETIC LOGICAL UNIT DATA INPUT See ALUINO-1.
ALUIN4-1	2-2 2-5 3-4	2-4 P201-A23	ARITHMETIC LOGICAL UNIT DATA INPUT See ALUINO-1.
ALUIN5-1	2-2 2-5 3-4	2-4 P201-B23	ARITHMETIC LOGICAL UNIT DATA INPUT See ALUINO-1.
ALUIN6-1	2-2 2-5 3-4	2-4 P201-A24	ARITHMETIC LOGICAL UNIT DATA INPUT See ALUINO-1.
ALUIN7-1	2-2 2-5 3-4	2-4 P201-B24	ARITHMETIC LOGICAL UNIT DATA INPUT See ALUINO-1.
ALUIN8-1	2-2 3-4	2-4 P201-A25	ARITHMETIC LOGICAL UNIT DATA INPUT This signal is data input to the RALU from the MCP Board, or the RALU Constant Load.
ALUIN9-1	2-2 3-4	2-4 P201-B25	ARITHMETIC LOGICAL UNIT DATA INPUT See ALUIN8-1.
ALUIN10-1	2-2 3-4	2-4 P201-A26	ARITHMETIC LOGICAL UNIT DATA INPUT See ALUIN8-1.
ALUIN11-1	2-2 3-4	2-4 P201-B26	ARITHMETIC LOGICAL UNIT DATA INPUT See ALUIN8-1.

SIGNAL NAMES

Signal Name	Source (Schematic Page)	Destination (Schematic Page)	Description
ALUIN12-1	2-2 3-4	2-4 P201-A27	ARITHMETIC LOGICAL UNIT DATA INPUT See ALUIN8-1.
ALUIN13-1	2-2 3-4	2-4 P201-B27	ARITHMETIC LOGICAL UNIT DATA INPUT See ALUIN8-1.
ALUIN14-1	2-2 3-4	2-4 P201-A28	ARITHMETIC LOGICAL UNIT DATA INPUT See ALUIN8-1.
ALUIN15-1	2-2 3-4	2-4 P201-B28	ARITHMETIC LOGICAL UNIT DATA INPUT See ALUIN8-1.
ALUINHI-1	3-2	3-4	ALU INPUT LATCH HI CLOCK This signal latches the data from the MB8 thru MB15 lines into the ALUIN Latch on the MCP Board.
ALUINLO-1	3-2	3-4	ALU INPUT LATCH LO CLOCK This signal latches the data from the MB0 thru MB7 lines into the ALUIN Latch on the MCP Board.
ALUOUT0-1	2-4	2-3 2-5 3-4 P201-A29	ARITHMETIC LOGICAL UNIT DATA OUTPUT This signal is data output from the RALU to the MCP Board, the Condition Code Set- up, or the Micro Sequencer Branch Control.
ALUOUT1-1	2-4	2-3 2-5 3-4 P201-B29	ARITHMETIC LOGICAL UNIT DATA OUTPUT See ALUOUT0-1.

SIGNAL NAMES

Signal Name	Source (Schematic Page)	Destination (Schematic Page)	Description
ALUOUT2-1	2-4	2-3 2-5 3-4 P201-A30	ARITHMETIC LOGICAL UNIT DATA OUTPUT See ALUOUT0-1.
ALUOUT3-1	2-4	2-3 2-5 3-4 P201-B30	ARITHMETIC LOGICAL UNIT DATA OUTPUT See ALUOUT0-1.
ALUOUT4-1	2-4	2-5 3-4 P201-A31	ARITHMETIC LOGICAL UNIT DATA OUTPUT This signal is data output from the RALU to the MCP Board or the Condition Code Set-up.
ALUOUT5-1	2-4	2-5 3-4 P201-B31	ARITHMETIC LOGICAL UNIT DATA OUTPUT See ALUOUT4-1.
ALUOUT6-1	2-4	2-5 3-4 P201-A32	ARITHMETIC LOGICAL UNIT DATA OUTPUT See ALUOUT4-1.
ALUOUT7-1	2-4	2-5 3-4 P201-B32	ARITHMETIC LOGICAL UNIT DATA OUTPUT See ALUOUT4-1.
ALUOUT8-1	2-4	3-4 P201-A33	ARITHMETIC LOGICAL UNIT DATA OUTPUT Data output from the RALU to the MCP Board.
ALUOUT9-1	2-4	3-4 P201-B33	ARITHMETIC LOGICAL UNIT DATA OUTPUT See ALUOUT8-1.
ALUOUT10-1	2-4	3-4 P201-A34	ARITHMETIC LOGICAL UNIT DATA OUTPUT See ALUOUT8-1.

SIGNAL NAMES

Signal Name	Source (Schematic Page)	Destination (Schematic Page)	Description
ALUOUT11-1	2-4	3-4 P201-B34	ARITHMETIC LOGICAL UNIT DATA OUTPUT See ALUOUT8-1.
ALUOUT12-1	2-4	3-4 P201-A35	ARITHMETIC LOGICAL UNIT DATA OUTPUT See ALUOUT8-1.
ALUOUT13-1	2-4	3-4 P201-B35	ARITHMETIC LOGICAL UNIT DATA OUTPUT See ALUOUT8-1.
ALUOUT14-1	2-4	3-4 P201-A36	ARITHMETIC LOGICAL UNIT DATA OUTPUT See ALUOUT8-1.
ALUOUT15-1	2-4	3-4 P201-B36	ARITHMETIC LOGICAL UNIT DATA OUTPUT See ALUOUT8-1.
ALUOUTEN-0	3-3	3-1 3-4	ALU OUTPUT LATCH ENABLE This signal enables the ALUOUT Latch output on the MCP Board to be active on the MBO thru MB15 lines.
ALUTOPC-0	3-2	3-3	ALU TO PROGRAM COUNTER This signal indicates that a data transfer operation from the ALU to the Program Counter is taking place on the MCP Board.
ANODE (FGA) (F.G.ANODE)	10-1 10-2 12-1	10-1 12-1 P133- (7,8,9,10)	ANODE This analog signal is the crt anode control line from the Storage Board to the crt.
ANTIBURN	6-1 9-2	6-1 11-1 P40-2*[11] J40-37* P130-37[9]	An analog signal from the De- flection Amplifier Board to the High Voltage and Z Axis Board. When positive, this signal reduces the crt writing beam intensity. This signal goes positive when the deflec- tion approaches zero velocity.

SIGNAL NAMES

Signal Name	Source (Schematic Page)	Destination (Schematic Page)	Description
ATN-0	4-3 5-4	4-3 P101-B6 P106-11 P6-11	<p>ATTENTION</p> <p>This signal is activated by the 4054 when it is transmitting multiline interface messages over the General Purpose Interface Bus(GPIB). Only an active controller (4054 assumes it is the only controller) asserts ATN. When ATN is true, data on the data lines DIO1 thru DIO8 is interpreted as a talk address, listen address ,untalk, unlisten, or any other multiline interface message specified in the IEEE Standard 488-1975 (IEEE Standard Digital Interface for Programmable Instrumentation). When ATN is false, the assigned talker can send device dependent information over the data lines DIO1 thru DIO8.</p>
BRA0-1 thru BRA11-1	2-2	2-3	<p>SEQUENCER BRANCH ADDRESS</p> <p>These are the address lines to the Micro ROM Sequencer that are used during a Micro ROM branch from an instruction during a fetch, from an interrupt, or from the Micro ROM.</p>
BRANCH-1	2-3	P201-A6	<p>BRANCH</p> <p>This signal indicates that a branch operation is in process.</p>
BREAK-0	5-6	16-1 P103-10 P60-3[16]	<p>BREAK</p> <p>This signal is used to light the BREAK light. When the light is on, it indicates that program execution halts at the completion of the current BASIC program language statement; then the BREAK light goes out.</p>

SIGNAL NAMES

Signal Name	Source (Schematic Page)	Destination (Schematic Page)	Description
BRESTART-0	5-3 7-1	7-1 8-1 8-2 P114-32 P305-40 P306-40 P314-32	BUFFERED RESTART This signal is the buffer RE-START-0 signal. The signal is used on the Vector Generator Board and the Display Controller Board to initial the boards to an initial power up state.
BRITE-0	6-1 8-1	6-1 11-1 P40-8*[11] J40-47* P530-47	BRITE A TTL low from the Display Controller Board activates BRITE Intensity. In combination with a low level on DEFOCUS-0, the BRITE-DEFOCUS mode is useful for wide vectors. If DEFOCUS-0 is allowed to go high, the writing mode is BRITE-FOCUS.
BRMUX0-1 thru BRMUX5-1	2-3	2-3	BRANCH MULTIPLEXER These are two 3-line groups (BRA0 thru BRA2 and BRA3 thru BRA5) from the Pipeline Register which are used to select the branch conditions.
BROT-0	2-3	2-3	BRANCH ON TRUE When high, this signal inverts the branch conditions selected by BRA0 thru BRA5.
BSHIFT-0	5-3 7-1	7-1 8-1 P114-30 P305-7 P306-7 P314-30	BUFFERED SHIFT This buffered signal indicates to the Display Controller Board and the Vector Generator Board that the shift key on the keyboard has been depressed and to reset the View Timer.

SIGNAL NAMES

Signal Name	Source (Schematic Page)	Destination (Schematic Page)	Description
BUFCLK-1	5-3	5-4	<p>BUFFER CLOCK</p> <p>This signal is used to strobe data into the digital-to-analog converter data registers. It restarts a 90-second view mode timer; if vectors are to be drawn, it also initiates a 3.7 millisecond pulse (VPULSE) used to time vector draws.</p>
BUSY-0	5-6	16-1 P103-32 P60-4[16]	<p>BUSY</p> <p>This signal lights the BUSY light to indicate that the 4054 is busy transferring or processing data. BUSY is also driven by a programmed square wave to cause an audio tone at the speaker.</p>
C6-1	8-1	8-2	<p>COMMAND BIT 6</p> <p>This Bit 6 output of the display command register on the Display Control Board is used to select the XGIN or YGIN.</p>
CASCLK-1	4-3	4-4	<p>COLUMN ADDRESS SELECT CLOCK</p> <p>The clock used to load the column address into the RAM in the RAM Array.</p>
CATHODE (FGC) (F.G.CATHODE)	10-1 12-1	10-1 12-1 P133-(3,4) P134-(1,2)	<p>CATHODE</p> <p>This is the flood gun ground signal to the crt cathode from the Deflection Amplifier Board to the High Voltage and Z Axis Board.</p>
CCC0-1 thru CCC4-1	2-3	2-5	<p>CONDITION CODE CONTROL</p> <p>The address lines from the Pipeline Register to the Condition Code Set-up ROMs.</p>

Signal Name	Source (Schematic Page)	Destination (Schematic Page)	Description
CCRC-1	2-5	2-3 2-4	CONDITION CODE REGISTER CARRY BIT The carry condition line from the condition code register.
CCRD-1	2-5 3-2	3-2 3-3 P201-A8	CONDITION CODE REGISTER D BIT This line determines which memory space is selected for data. Memory space selected is either RAM (high) or ROM (low).
CCRF-1	2-5	3-2 P201-B8	CONDITION CODE REGISTER F BIT This line determines the location of fetched opcodes. The location is either ROM space (high) or RAM space (low).
CCRH-1	2-5	2-3	CONDITION CODE HALF-CARRY BIT This is the half-carry condition from the Condition Code Register.
CCRI-1	2-5	2-2	CONDITION CODE REGISTER INTERRUPT BIT This is the interrupt enable and disable line from the Condition Code Register used with the IRQ-0 and DSPINT-0 interrupt lines.
CCRN-1	2-5	2-3 2-4	CONDITION CODE REGISTER NEGATIVE BIT This is the negative condition line from the Condition Code Register.
CCRV-1	2-5	2-3	CONDITION CODE REGISTER OVERFLOW BIT This is the overflow condition line from the Condition Code Register.

SIGNAL NAMES

Signal Name	Source (Schematic Page)	Destination (Schematic Page)	Description
CCRZ-1	2-5	2-3	CONDITION CODE REGISTER ZERO BIT This is the zero condition line from the Condition Code Register.
CE-1	10-1 12-1	10-1 12-1 J4-3 J132-3 J133-5	COLLIMATION ELECTRODE 1 This analog signal is one of the erase lines from the Stor- age Board to the crt.
CE-2	10-1 12-1	10-1 12-1 J4-2 J132-2 J133-6	COLLIMATION ELECTRODE 2 This analog signal is one of the erase lines from the Stor- age Board to the crt.
CLK1-0	4-2	4-3	CLOCK 1 This is the inverse of the M40NSCLK-1 signal on the MAS Board; used for timing.
CLK2-0	4-2	4-3	CLOCK 2 This is the inverse of the M40NSCLK-1 signal on the MAS Board; used for timing.
CLKLSB-1	3-1	3-2	CLOCK LEAST SIGNIFICANT BYTE This is the timing signal used to clock the least significant byte on the MCP Board.
CLKMSB-1	3-1	3-2	CLOCK MOST SIGNIFICANT BYTE This timing signal is used to clock the most significant byte on the MCP Board.

SIGNAL NAMES

Signal Name	Source (Schematic Page)	Destination (Schematic Page)	Description
CLRPER-1	5-3	4-4 P101-B19	CLEAR PARITY ERROR The control line used to clear the Parity Error flip-flop. The line is asserted by firm-ware when determining the amount of RAM space available for system use.
COMCLK-1	2-1 3-3 4-3	3-3 4-3 5-2 P101-B41 P155-A2 P201-B40 P255-A2 J5-B10	COMMUNICATIONS CLOCK This is a 2.4576 MHZ clock used by the I/O Board to supply a communications clock for the backpacks and ROM packs, generate magnetic tape clocking, and the display NOBURN signal.
CONSTROM-0	4-2	4-5	CONSTANT ROM ADDRESS The enable address of the constant ROM in the ROM Array.
CPCLK-1	2-1	2-2 2-3 2-4	CENTRAL PROCESSOR CLOCK This is the main internal timing clock on the ALU Board used by the RALU, the Micro ROM Sequencer, and the Interrupt Generator. One micro cycle is from the rising edge of the clock to the next rising edge. This is the same as the CPUCLK-1 to the MCP Board.
CPINIT-0	2-1	2-2 2-3	CENTRAL PROCESSOR INITIATION This is the buffered RESTART-0 signal used to initialize the ALU Board.
CPINIT-1	2-1	2-2	CENTRAL PROCESSOR INITIATION This is the inverse of the RESTART-0 signal used to initialize the ALU Board.

SIGNAL NAMES

Signal Name	Source (Schematic Page)	Destination (Schematic Page)	Description
CPINITA-0	2-1	2-5	CENTRAL PROCESSOR INITIATION A This is the buffered RESTART-0 signal used to initialize the ALU Board.
CPUCLK-1	2-1 3-1	3-1 3-4 P201-B15	CENTRAL PROCESSOR UNIT CLOCK This is the micro cycle timing signal to the MCP Board from the ALU Board. It is used on the MCP Board to indicate when data and pipeline instructions from the ALU Board are ready. This signal is the same as CPCLK-1.
CROMENA-0	2-2	2-3 2-5	CONTROL ROM ENABLE This signal enables the control ROMs (Fetch, Condition Code Set-up, and Branch Con- trol).
CRYCO-1 thru CRYC1-1	2-3	2-4	CARRY-IN CONTROL These are the carry-in control lines from the Pipeline Regis- ter to the Shift Control.
CTRL-0	13-1	5-3 P103-6 P31-4	CONTROL This signal is generated by pressing the CTRL (control) key on the keyboard.
CTLSTB-1	5-3	8-1 P104-18 P304-18	CONTROL STROBE This signal is generated on the I/O Board during a display command write to the I/O Board. On the rising edge of this signal, the Display Con- troller Board starts to pro- cess the command.
CXSTEP-1	7-1	7-2 8-2 P305-16 P306-16	COUNTER X AXIS STEP This signal is one of the con- trol lines from the Vector Generator Board used for step- ping the X axis counter.

SIGNAL NAMES

Signal Name	Source (Schematic Page)	Destination (Schematic Page)	Description
CYSTEP-1	7-1	7-2 8-2 P305-37 P306-37	COUNTER Y AXIS STEP This signal is one of the control lines from the Vector Generator Board used for stepping the Y axis counter.
D1-1	8-1	P305-18	DISPLAY PHASE 1 CLOCK The display timing clock on the Display Controller Board.
D2-1	8-1	8-2 P305-19	DISPLAY PHASE 2 CLOCK The display timing clock on the Display Controller Board.
DATAVALID-0	3-1	4-3 P155-A5 P255-A5	DATA VALID This signal from the MCP Board is used to tell the MAS Board that the data on the MBO thru MB15 lines is valid.
DAV-0	4-3 5-4	4-3 P101-A10 P106-6 P6-6	DATA VALID The true state of this signal specifies that data on the General Purpose Interface Bus (GPIB) data lines, DIO1 through DIO8, is valid.
DAVBL-1	8-2	8-1	DATA AVAILABLE A control line on the Display Controller Board that indicates when the selected axis register has crossed the value of the GIN position.

SIGNAL NAMES

Signal Name	Source (Schematic Page)	Destination (Schematic Page)	Description
DAX-0	5-1	4-3 P101-A16	DATA ACCEPTED OR AVAILABLE FROM EXTERNAL This signal goes from the I/O Board to the MAS Board. During an I/O operation it indicates that, for a write cycle, the data has been accepted, and for a read cycle, the data is available.
DBUSY-0	6-1 10-2	6-1 8-1 P430-43 P530-43	DISPLAY BUSY The control signal from the Storage Board to the Display Controller Board, when low, indicates that the display is busy in the mode, erasing the screen, or doing a hard copy operation.
DCLK-1	8-1	7-1 P305-39 P306-39	DISPLAY CLOCK The display clock from the Display Controller Board to the Vector Generator Board used in storage mode at a frequency of 5 Mhz and in write thru mode at a frequency of 15 Mhz. The clock frequency is controlled by the WRITETHRU-1 signal.
DCNFRM-0	4-2	3-1 4-4 P155-A6 P255-A6	DATA CONFIRMED This signal from the MAS Board tells the MCP Board that the data on the MBO thru MB15 lines has been accepted (write to memory) or is valid (read from memory).
DCTL0-1	5-3	8-1 P104-17 P304-17	DISPLAY CONTROL LINE This signal is a display control line from the I/O Board to the Display Controller Board that carries the display command.

SIGNAL NAMES

Signal Name	Source (Schematic Page)	Destination (Schematic Page)	Description
DCTL1-1	5-3	8-1 P104-16 P304-16	DISPLAY CONTROL LINE See DCTLO-1.
DCTL2-1	5-3	8-1 P104-15 P304-15	DISPLAY CONTROL LINE See DCTLO-1.
DCTL3-1	5-3	8-1 P104-14 P304-14	DISPLAY CONTROL LINE See DCTLO-1.
DCTL4-1	5-3	8-1 P104-13 P304-13	DISPLAY CONTROL LINE See DCTLO-1.
DCTL5-1	5-3	8-1 P104-12 P304-12	DISPLAY CONTROL LINE See DCTLO-1.
DCTL6-1	5-3	8-1 P104-11 P304-11	DISPLAY CONTROL LINE See DCTLO-1.
DCTL7-1	5-3	8-1 P104-10 P304-10	DISPLAY CONTROL LINE See DCTLO-1.
DDO-1	7-1	7-2 8-2 P305-6 P306-6	DISPLAY DATA This signal is a display data line used on the Display Con- troller Board and the Vector Generator Board.
DD1-1	7-1	7-2 8-2 P305-5 P306-5	DISPLAY DATA See DDO-1.

SIGNAL NAMES

Signal Name	Source (Schematic Page)	Destination (Schematic Page)	Description
DD2-1	7-1	7-2 8-2 P305-4 P306-4	DISPLAY DATA See DD0-1.
DD3-1	7-1	7-2 8-2 P305-3 P306-3	DISPLAY DATA See DD0-1.
DD4-1	7-1	7-2 8-2 P305-2 P306-2	DISPLAY DATA See DD0-1.
DD5-1	7-1	7-2 8-2 P305-1 P306-1	DISPLAY DATA See DD0-1.
DD6-1	7-1	7-2 8-2 P305-21 P306-21	DISPLAY DATA See DD0-1.
DD7-1	7-1	7-2 8-2 P305-22 P306-22	DISPLAY DATA See DD0-1.
DD8-1	7-1	7-2 8-2 P305-23 P306-23	DISPLAY DATA See DD0-1.
DD9-1	7-1	7-2 8-2 P305-24 P306-24	DISPLAY DATA See DD0-1.

SIGNAL NAMES

Signal Name	Source (Schematic Page)	Destination (Schematic Page)	Description
DD10-1	7-1	7-2 8-2 P305-25 P306-25	DISPLAY DATA See DDO-1.
DD11-1	7-1	7-2 8-2 P305-26 P306-26	DISPLAY DATA See DDO-1.
DEFOCUS-0	6-1 8-1	6-1 11-1 P10-9* J10-49* P530-49	DEFOCUS When DEFOCUS-0 is low, the focus of the crt writing beam is changed, thus producing a slightly wider trace (defocused). When DEFOCUS-0 is high, the crt writing beam is focused (not spread out).
DELAYIN-1	5-2	14-2 P102-34 P81-34	DELAY INPUT This is a general purpose trigger signal derived from the Selected Operation Trigger (SOT) signal.
DELAYOUT-1	14-2	5-1 P102-26 P81-26	DELAY OUTPUT This signal is a general timing pulse that is 40 microseconds long. It is generated by a one shot on the Tape Drive Board. DELAY OUT is triggered by the DELAY IN signal from the I/O Board.
DEN-1	3-1	3-3	DATA ENABLE This enable data signal on the MCP Board that times the output of the ALUOUT Latch to the MB0 thru MB15 lines.

SIGNAL NAMES

Signal Name	Source (Schematic Page)	Destination (Schematic Page)	Description
DIO1-0	4-3 5-4	4-3 P101-A1 P106-1 P6-1	DATA IN AND OUT BUS This is a bi-directional data line used on the General Pur- pose Interface Bus (GPIB).
DIO2-0	4-3 5-4	4-3 P101-A2 P106-2 P6-2	DATA IN AND OUT BUS See DIO1-0.
DIO3-0	4-3 5-4	4-3 P101-A3 P106-3 P6-3	DATA IN AND OUT BUS See DIO1-0.
DIO4-0	4-3 5-4	4-3 P101-A4 P106-4 P6-4	DATA IN AND OUT BUS See DIO1-0.
DIO5-0	4-3 5-4	4-3 P101-A5 P106-13 P6-13	DATA IN AND OUT BUS See DIO1-0.
DIO6-0	4-3 5-4	4-3 P101-A6 P106-14 P6-14	DATA IN AND OUT BUS See DIO1-0.
DIO7-0	4-3 5-4	4-3 P101-A7 P106-15 P6-15	DATA IN AND OUT BUS See DIO1-0.
DIO8-0	4-3 5-5	4-3 P101-A8 P106-16 P6-16	DATA IN AND OUT BUS See DIO1-0.

Signal Name	Source (Schematic Page)	Destination (Schematic Page)	Description
DIRECT+8-1	3-2	3-4	DIRECT 8 BITS This signal clears the Zero High/Sign Extended Latch during a direct data operation.
DIRECT-1	2-2 3-2	3-2 3-3 P201-A13	DIRECT This signal line from the Fetch Control on the ALU Board to the MCP Board indicates that the fetched opcode is a direct operation.
DIRRD8-0	3-2	3-3	DIRECT READ 8 BITS This signal to the Mbus Enable on the MCP Board indicates an 8-bit direct read.
DODIRECT-0	3-2	3-3	DO DIRECT This signal line to the Mbus Enable on the MCP Board indicates the start of a direct operation.
DODIRRAM-0	3-2	3-3	DO DIRECT RAM This signal line to the Mbus Enable on the MCP Board indicates a direct operation to the RAM space.
DOIMD16-0	3-2	3-3	DO IMMEDIATE 16 BIT This signal line to the Mbus Enable on the MCP Board indicates an immediate 16-bit operation.
DOIMD16RAM-0	3-2	3-3	DO IMMEDIATE 16 RAM SPACE This signal line to the Mbus Enable on the MCP Board indicates an immediate 16-bit operation on RAM space.

SIGNAL NAMES

Signal Name	Source (Schematic Page)	Destination (Schematic Page)	Description
DOIMD8-0	3-2	3-3	DO IMMEDIATE 8 BIT This signal line to the Mbus Enable on the MCP Board indicates an immediate 8-bit operation.
DREAD-0	3-2	3-1	DATA READ This signal to the ALU Handshake on the MCP Board indicates a read (low) or a write (high) operation.
DRL-1	8-1	8-2	DRAW LIGHT The control line on the Display Controller Board used for drawing a continuous vector on the crt.
DRM-1	8-1	8-2	DRAW MASKED The control line on the Display Controller Board used for drawing dashed lined on the crt using the dashed mask.
DRTAPE-0	5-2	14-1 P102-33 P81-33	DRIVE TAPE This signal is generated through a Peripheral Interface Adapter (PIA) to turn the tape unit motor on and off. When DRTAPE is true, the tape motor is turned on; when it is false, the tape motor is turned off.
DSCLK-1	8-1	8-2	DISPLAY CLOCK The continuous running display clock used on the Display Controller Board. The frequency of this clock is determined by WRITETHRU-0.

Signal Name	Source (Schematic Page)	Destination (Schematic Page)	Description
DSPINT-0	3-3 4-3	2-2 3-3 4-3 5-3 P101-A13 P155-A14 P201-A40 P255-A14	NOT USED
DSPINTU-0	8-1	5-3 P104-9 P304-9	NOT USED
DSPRCK-1	5-2	8-1 P104-19 P304-19	DISPLAY REFRESH CLOCK This is the 9.6 kHz clock from the I/O Board to the Display Controller Board used for clocking the Refresh Timer. DSPRCK is divided down to 37.5 Hz on the Display Controller Board.
DSTAT0-1	8-1	5-3 P104-8 P304-8	DISPLAY STATUS LINE This is a data line from the Display Controller Board to the I/O Board used for display status information.
DSTAT1-1	8-1	5-3 P104-7 P304-7	DISPLAY STATUS LINE See DSTAT0-1.
DSTAT2-1	8-1	5-3 P104-6 P304-6	DISPLAY STATUS LINE See DSTAT0-1.
DSTAT3-1	8-1	5-3 P104-5 P304-5	DISPLAY STATUS LINE See DSTAT0-1.

SIGNAL NAMES

Signal Name	Source (Schematic Page)	Destination (Schematic Page)	Description
DSTAT4-1	8-1	5-3 P104-4 P304-4	DISPLAY STATUS LINE See DSTATO-1.
DSTAT5-1	8-1	5-3 P104-3 P304-3	DISPLAY STATUS LINE See DSTATO-1.
DSTAT6-1	8-1	5-3 P104-2 P304-2	DISPLAY STATUS LINE See DSTATO-1.
DSTAT7-1	8-1	5-3 P104-1 P304-1	DISPLAY STATUS LINE See DSTATO-1.
DYN FOCUS (DYNAMIC FOCUS)	6-1 9-1	6-1 11-1 P40-3*[11] J40-38* P130-38[9]	DYNAMIC FOCUS This signal from the Storage Board to the High Voltage and Z Axis Board modifies the focus electrode voltage to maintain a consistently focused writing beam over the crt.
EAB0-1 thru EAB15-1	4-1	4-4 4-5	EVEN ADDRESS BUS This is the even address to the Even RAM Array, the Even ROM Array, and the External Address Buffer on the MAS Board.
EBYTE-1	4-4	4-5	EVEN BYTE This signal indicates to the RAM Control, the ROM Control, and the Parity Error Latch that the even byte is being used.
ENTJOY-0	8-2 P40-7[J]	5-4 8-2 P104-18 P304-20 P307-9	NOT USED

SIGNAL NAMES

Signal Name	Source (Schematic Page)	Destination (Schematic Page)	Description
EOI-0	4-3 5-4	4-3 P101-B3 P106-5 P6-5	END OR IDENTIFY This signal is set true by an assigned talker on the GPIB to signal the end of data. Since parallel poll operations are not implemented in the 4054, the identify function of EIO is not implemented. During normal bus operation, EIO accompanies the last data byte to be transmitted.
EOVT-0	8-2	8-1	END OF VECTOR TRIGGER The control line on the Display Controller Board used to reset the vector draw register (DRL-1, DRM-1, and VIP).
EPARITY-1	4-1	4-4	EVEN PARITY SUM This is the parity error signal line to the Parity Error Latch. High indicates a parity error.
EPDIN-1	4-1	4-4	EVEN PARITY IN This is the even RAM parity data input from the Parity Generating and Checking block.
EPDOUT-1	4-4	4-1	EVEN PARITY OUT This is the output signal of the parity RAM to the Parity Generating and Checking block.

SIGNAL NAMES

Signal Name	Source (Schematic Page)	Destination (Schematic Page)	Description
EPIAS-0	4-3 5-1	4-3 P101-A20 J5-A24	EXTERNAL PERIPHERAL INTERFACE ADAPTER SELECT This signal goes true whenever an address on the data bus is a valid external peripheral address. External Peripheral Interface Adapters (PIAs) are optional interfaces in ROM pack cartridges that are inserted into backpack slots.
ER-0/EW-1	5-1	5-3 5-4	EXTERNAL READ/EXTERNAL WRITE This line is the inverse of the ER-1/EW-0 line.
ER-1/EW-0	5-1	5-4	EXTERNAL READ/EXTERNAL WRITE This line is the inverted and buffered signal from the R/W-1 line from the MAS Board.
ERAB1-0 thru ERAB7-1	4-1	4-4	EVEN RAM ADDRESS BUS This is the Even RAM Array address lines from the Address Bus.
ERASE TRIGGER	10-2	10-1	ERASE TRIGGER The signal on the Storage Board used to trigger the Erase Waveform Generator.
ERASE-0	6-1 8-1	6-1 10-2 P430-44 P530-44	ERASE The control signal from the Display Controller Board to the Storage Board used to start the erase cycle.
ERB0-1 thru ERB7-1	4-1	4-4 4-5	EVEN RAM/ROM DATA BUS These lines form the data bus between the Even RAM Array, Even ROM Array, and the Data Bus.

SIGNAL NAMES

Signal Name	Source (Schematic Page)	Destination (Schematic Page)	Description
ERD-1/EWD-0	5-1	5-2 5-3	EXTERNAL READ/EXTERNAL WRITE This signal is the ER-1/EW-0 signal delayed by a resistor.
ERLPIAE-1	4-3 5-1	4-3 5-3 5-4 P101-A12 J5-A20	EARLY PERIPHERAL INTERFACE ADAPTER ENABLE Similar to PIAE signal, except this line is only active for valid external cycles and ends 50 nanoseconds before PIAE.
EXD0-1	4-1 5-4	5-2 5-3 P101-B34 J5-B15	EXTERNAL DATA LINE This is an external I/O data line.
EXD1-1	4-1 5-4	5-2 5-3 P101-B33 J5-A15	EXTERNAL DATA LINE See EXD0-1.
EXD2-1	4-1 5-4	5-2 5-3 P101-B32 J5-B16	EXTERNAL DATA LINE See EXD0-1.
EXD3-1	4-1 5-4	5-2 5-3 P101-B31 J5-A16	EXTERNAL DATA LINE See EXD0-1.
EXD4-1	4-1 5-4	5-2 5-3 P101-B30 J5-B17	EXTERNAL DATA LINE See EXD0-1.
EXD5-1	4-1 5-4	5-2 5-3 P101-B29 J5-B18	EXTERNAL DATA LINE See EXD0-1.

SIGNAL NAMES

Signal Name	Source (Schematic Page)	Destination (Schematic Page)	Description
EXD6-1	4-1 5-4	5-2 5-3 P101-B28 J5-A18	EXTERNAL DATA LINE See EXD0-1.
EXD7-1	4-1 5-4	5-2 5-3 P101-B27 J5-B19	EXTERNAL DATA LINE See EXD0-1.
EXDB0-1 THRU EXDB7-1	5-4	5-3	EXTERNAL DATA LINE BUFFERED The buffered external data lines used on the I/O Board.
EXLATCLK-1	4-3	4-1	EXTERNAL DATA LATCH CLOCK This signal is used by the Data Bus on the MAS Board to latch the first external data byte during a two-byte exter- nal data read.
EXT-0	4-2	4-4 P155-A12	EXTERNAL This is the signal to the Parity Error Latch to disable the parity interrupt during an external data read.
EXTBUF-1	4-2	4-1	EXTERNAL DATA BUFFER ENABLE This is the signal to the Data Bus to output the external da- ta recieved.
EXTDADDRRAM-0	3-2	3-3	EXTENDED ADDRESS RAM SPACE This is the signal to the Mbus Enable that the data on the MBO thru MB15 lines is a RAM space address.

SIGNAL NAMES

Signal Name	Source (Schematic Page)	Destination (Schematic Page)	Description
EXTEN-0	4-3 5-1	4-3 P101-A14 J5-A23 J5-B21	EXTERNAL ENABLE This line goes low when the I/O Board is processing an external request from the MAS Board.
EXTENDED-1	2-2	3-2 P201-B13	EXTENDED This is the signal line from the Fetch Control to the MCP Board that the opcode instruction is extended.
EXTNDDATA-0	3-2	3-3	EXTENDED DATA This is the signal line to the Mbus Enable on the MCP Board to output the Program Counter to the MB0 thru MB15 lines for 16-bit extended read.
EXTNDDRAM-0	3-2	3-3	EXTENDED DATA RAM SPACE This is the signal line to the Mbus Enable on the MCP Board that the data operation is for RAM space.
EXTNDDR8-0	3-2	3-3	EXTENDED DATA READ 8 BITS This is the signal line to the Mbus Enable on the MCP Board that the operation is an 8-bit extended read from memory.
EXTNDDWR-0	3-2	3-3	EXTENDED DATA WRITE This is the signal line to the Mbus Enable on the MCP Board that the operation is a extended write to memory.
EXTREQ-0	4-3	5-1 P101-A17	EXTERNAL REQUEST This signal indicates a request from the MAS Board for either an I/O operation or data from a ROM pack.

SIGNAL NAMES

Signal Name	Source (Schematic Page)	Destination (Schematic Page)	Description
+FAST RAMP (YHC RAMP)	6-1 J41-3	6-1 9-1 P60-2*[6] J60-26* P130-26[9]	+FAST AXIS HARD COPY RAMP This analog line is the fast ramp deflection voltage from the hard copy unit to the Deflection Amplifier Board used during a hard copy operation.
FAST-1	5-2	14-1 P102-31 P81-31	FAST This signal is generated on the I/O Board to select the operating speed of the tape drive motor. When FAST is true, a tape speed of 90 inches per second is enabled. When FAST is false, the normal read/write tape speed of 30 inches per second is enabled.
FCREAD-1	2-2	3-2 P201-A14	FETCH CONTROL READ This serves as the read (high) or write (low) line from the Fetch Control to the MCP Board.
FCWRITE-1	3-2	3-3	FETCH CONTROL WRITE This is the inverse of the FCREAD-1 line used by the Mbus Enable on the MCP Board.
FMARK-1	5-2	5-3	FILE MARK This signal is generated by the ICG (InterCharacter Gap) counter when reading the tape and a file mark has been encountered. A file mark consists of eight consecutive intercharacter gaps separated by flux reversals on track 0, one reversal between each gap.
FRA0-1	3-4	2-2 P201-A16	FETCH ROM ADDRESS LINE This is the fetched opcode from the MAS Board to the Instruction Register. Same line as MB8.

Signal Name	Source (Schematic Page)	Destination (Schematic Page)	Description
FRA1-1	3-4	2-2 P201-B16	FETCH ROM ADDRESS LINE See FRA0-1.
FRA2-1	3-4	2-2 P201-A17	FETCH ROM ADDRESS LINE See FRA0-1.
FRA3-1	3-4	2-2 P201-B17	FETCH ROM ADDRESS LINE See FRA0-1.
FRA4-1	3-4	2-2 P201-A18	FETCH ROM ADDRESS LINE See FRA0-1.
FRA5-1	3-4	2-2 P201-B18	FETCH ROM ADDRESS LINE See FRA0-1.
FRA6-1	3-4	2-2 P201-A19	FETCH ROM ADDRESS LINE See FRA0-1.
FRA7-1	3-4	2-2 P201-B19	FETCH ROM ADDRESS LINE See FRA0-1.
FRBUSY-1	2-1	3-1 P201-B9	FETCH ROM BUSY This is the timing signal from the ALU Board to the MCP Board used to supply time for the set up of the Fetch Control lines. On the falling edge of FRBUSY, the Fetch Control output is stable.
FRCLK-1	3-2	2-1 2-2 P201-B11	FETCH ROM CLOCK This is the timing line from the MCP Board to the ALU Board that on the rising edge indicates a stable opcode on the FRA0 thru FRA7 lines.
FRCLR-1	2-1	3-1 P201-B38	FETCH ROM CLEAR This timing line from the ALU Board to the MCP Board indicates that the ALU has accepted the fetched opcode.

SIGNAL NAMES

Signal Name	Source (Schematic Page)	Destination (Schematic Page)	Description
FRDONE-1	3-1	3-4	FETCH ROM DONE This latched signal line for FRCLR-1 on the MCP Board is used to set up for the data transfer needed by the fetched opcode.
FREQ-0	3-2	3-3	FETCH REQUEST This is the inverse of the FREQ-1 line used by the Mbus Enable to output the Program Counter to the MBO thru MB15 lines.
FREQ-1	3-1	3-2	FETCH REQUEST This latched request line on the MCP Board indicates that a fetch is in progress.
FREQRAM-0	3-2	3-3	FRETCH REQUEST RAM SPACE This is the signal line to the Mbus Enable on the MCP Board that indicates a opcode fetch from RAM space.
GBUSY-0	6-1 8-1	6-1 10-2 P430-50 P530-50	G BUSY This control signal from the Display Controller Board to the Storage Board resets the View-Erase Counters.
H.C.INT (HARD COPY INTENSITY)	6-1	6-1 11-1 P40-6*[11] J40-D* P45-2* J45-D* P103-14 P103-31 P5002-2	HARD COPY INTENSITY This analog control line from the adjustment pot on the front below the keyboard to the High Voltage and Z Axis Board controls the Z axis intensity during a hard copy operation.

SIGNAL NAMES

Signal Name	Source (Schematic Page)	Destination (Schematic Page)	Description
HC INTER	6-1 J41-5	6-1 11-1 P35-4* J35-C* P40-1*[11] J40-C*	HARD COPY INTERROGATION This signal is the display inter-rogation pulse from the hard copy unit to the High Voltage and Z Axis Board. As a result, the crt writing beam is pulsed (100 ns pulse width) and the target information signal, TARSIG-0, is developed.
HCS-0	6-1 10-2	6-1 11-1 P40-9*[11] J40-41* P430-41	HARD COPY START This control line from the Storage Board to the High Voltage and Z Axis Board is used as a start control of the Z Axis for a hard copy operation.
HCS-1	10-2	10-1 12-1 P3-2 J131-2	HARD COPY START This signal is the inverse of HCS-0 used on the Hard Copy Amplifier Board to control the TARSIG-0 signal output.
HDWFAIL-0	3-3 4-4	2-2 3-3 P155-A16 P201-B20 P255-A16	HARDWARE FAILURE This is the parity error interrupt from the MAS Board to the ALU Board.
HOLD-0	6-1 10-2	6-1 9-1 P130-18[9] P430-18	HOLD This signal is the Flood Gun Control signal from the Storage Board to the Deflection Amplifier Board.
I/O-0	5-3	16-1 P103-29 P60-2[16]	INPUT/OUTPUT INDICATOR This signal is used to turn on the I/O signal light anytime a device input/output operation (data transfer) is performed.

SIGNAL NAMES

Signal Name	Source (Schematic Page)	Destination (Schematic Page)	Description
IFC-0	4-3 5-4	4-3 P101-B4 P106-9 P6-9	INTERFACE CLEAR This GPIB signal is asserted by the 4054 to force all devices on the bus to a predetermined quiescent state. The INIT statement in the 4050 Series BASIC language causes the IFC line to become active. The 4054, being the only controller and therefore the system controller, is the only source for this signal.
IMMED16-1	2-2	3-2 P201-B12	IMMEDIATE 16 BITS This signal line from the Fetch Control on the ALU Board to the MCP Board indicates that the operation is a 16-bit immediate operation.
IMMED8-1	2-2	3-2 P201-A12	IMMEDIATE 8 BITS This signal line from the Fetch Control on the ALU Board to the MCP Board indicates that the operation is a 8-bit immediate operation.
IMPNOP-0	3-2	3-1	IMPLIED NO OPERATION This signal line from the Instruction Decode on the MCP Board goes low to indicate that the fetched opcode does not use immediate data.
IMPREQ-1	3-1	3-2 3-3	IMPLIED REQUEST This signal from the Request Generator on the MCP Board goes high to indicate that the fetched opcode uses immediate data.

Signal Name	Source (Schematic Page)	Destination (Schematic Page)	Description
INCADD-1	4-2	4-1	INCREMENT ADDRESS This signal line to the Address Bus on the MAS Board is used to increment the address adder. When INCADD is high, the odd address lines are incremented and becomes the even address lines. When INCADD is low, the odd address lines are not incremented.
INCPC/1-1	3-2	3-4	INCREMENT PROGRAM COUNTER BY 1 This control line to the Program Counter increments the Program Counter by 1.
INCPC/2-1	3-2	3-4	INCREMENT PROGRAM COUNTER BY 2 This control line to the Program Counter increments the Program Counter by 2.
INTBUF-1	4-4	4-1	INTERNAL DATA BUFFER This is the direction control for the Data Bus to the memory arrays (RAM and ROM). When INTBUF is high, the data goes from the memory arrays; when INTBUF is low, data goes to the memory arrays.
INTREQ-1	2-2	2-3 3-1 P201-A5	INTERRUPT REQUEST This output from the Interrupt Generator on the ALU Board indicates whether an interrupt is pending. When INTREQ is high and at the end of an instruction, the Micro ROM Sequencer branches to the highest priority interrupt Micro ROM address and services the interrupt.

SIGNAL NAMES

Signal Name	Source (Schematic Page)	Destination (Schematic Page)	Description
IPIAS-0	5-1 4-5	4-5 P101-B26	INTERNAL PERIPHERAL INTERFACE ADAPTER SELECT This signal goes true whenever an address on the data bus is a valid internal peripheral address. Internal Peripheral Interface Adapters (PIAs) are located on the I/O board.
IPIASD-0	5-1	5-2 5-6	INTERNAL PERIPHERAL INTERFACE ADAPTER SELECT DELAYED This signal is the same as the IPIAS-0 signal, except delayed by a resistor.
IRQ-0	3-3 4-3 5-3 4-6	2-2 3-3 4-3 4-5 P101-A21 P155-A15 P201-A39 P255-A15 J5-A17	INTERRUPT REQUEST This line is a maskable inter- rupt request line to the ALU Board.
KBCLK-0	5-2	13-1 P103-3 P31-6	KEYBOARD CLOCK This signal increments a data decoding counter used to in- terrogate and decode the al- phanumeric key being pressed. The clock is generated as an output from the main system clock.

Signal Name	Source (Schematic Page)	Destination (Schematic Page)	Description
KBHALT-1	5-3	13-1 P103-7 P31-2	KEYBOARD HALT This is a signal generated by the keyboard interface to stop the keyboard decoding counter until its contents can be read. The count is placed on the key code lines (KC0 through KC6) to specify which key has been pressed. After the the keycode has been read, the KBHALT line again goes false.
KC0-1	13-1	5-3 P103-28 P30-1[13]	KEY CODE LINE This is one of the lines used to read which keyboard key was pressed.
KC1-1	13-1	5-3 P103-27 P30-2[13]	KEY CODE LINE See KC0-1.
KC2-1	13-1	5-3 P103-26 P30-3[13]	KEY CODE LINE See KC0-1.
KC3-1	13-1	5-3 P103-25 P30-4[13]	KEY CODE LINE See KC0-1.
KC4-1	13-1	5-3 P103-24 P30-5[13]	KEY CODE LINE See KC0-1.

SIGNAL NAMES

Signal Name	Source (Schematic Page)	Destination (Schematic Page)	Description
KC5-1	13-1	5-3 P103-23 P30-6[13]	KEY CODE LINE See KC0-1.
KC6-1	13-1	5-3 P103-22 P30-7[13]	KEY CODE LINE See KC0-1.
KEY-1	13-1	5-3 P103-8 P31-1	KEY DOWN This signal goes true whenever a key on the keyboard is pressed.
LA ANALOG	9-1	9-2	LONG AXIS ANALOG This signal is the ANTIBURN control for the long axis on the Deflection Amplifier Board.
LAMP ON	15-1	14-1 P87-8 P360-1	LAMP ON This signal is used to turn on the tape-sensing lamp when the tape cartridge is inserted in- to the instrument. Illumina- tion from the lamp is used to active phototransistors that generate UPHOLE and LOHOLE signals.
LA SLU	9-1	9-2	LONG AXIS SLU This signal is the long axis input to the Slu Sensor on the Deflection Amplifier Board.
LCNST-0	2-3	2-2	LOAD CONSTANT This control line to the RALU Constant Load allows the Pipe- line Register to supply a con- stant for use by the RALU.

Signal Name	Source (Schematic Page)	Destination (Schematic Page)	Description
LCOUNT-0	8-1	8-2	LOAD VECTOR LENGTH REGISTER This control signal on the Display Controller Board clocks the value of the vector length into the vector length counters.
LDIR-0	8-1	8-2	LOAD DIRECTION REGISTER This control signal on the Display Controller Board clocks the vector direction into the direction register.
LDPC-1	3-2	3-4	LOAD PROGRAM COUNTER This control line to the Program Counter allows loading of the Program Counter from the MBO thru MB15 lines.
LMODE-0	2-3	3-4 P201-A37	LOAD MODE This is the inverse of LMODE-1. When low, LMODE indicates that the RALU is being loaded from the ALU Board and disables the ALUIN Latch on the MCP Board.
LMODE-1	2-3	2-3	LOAD MODE This is an output from the Pipeline Register. When high, LMODE indicates that the RALU is being loaded from the ALU Board.
LOAD-0	5-2	5-3	LOAD This signal is used to determine if a tape is loaded and available to perform input/output operations.

SIGNAL NAMES

Signal Name	Source (Schematic Page)	Destination (Schematic Page)	Description
LOADED-1	14-2 15-1	5-2 14-2 P102-19 P87-1 P361-1	LOADED This signal is generated by a microswitch in the tape drive to indicate that a tape cartridge is currently in the system.
LOCATE-0	8-1	8-2	LOCATE This signal enables the GIN hardware on the Display Controller Board to count until it crosses the selected GIN axis voltage.
LOHOLE-1	14-1	5-2 P102-28 P81-28	LOWER HOLE INDICATOR This signal is generated by a phototransistor as light shines through the lower magnetic tape hole (right side of the tape). LOHOLE is used to decode Beginning Of Tape (BOT) and End Of Tape (EOT).
LOHOLE	15-1	14-1 P87-7 P361-7	LOWER HOLE INDICATOR This signal is generated by a phototransistor as light shines through the lower magnetic tape hole (right side of the tape). LOHOLE is used to decode beginning of tape (BOT) and end of tape (EOT).
LSABR-0	2-3	2-2	LOAD SEQUENCER ADDRESS BRANCH This control line to the Sequence Micro ROM Branch on the ALU Board allows the Pipeline Register to supply the address for a Micro ROM branch.

SIGNAL NAMES

Signal Name	Source (Schematic Page)	Destination (Schematic Page)	Description
LSAVEC-0	2-3	2-2	LOAD SEQUENCER ADDRESS WITH VECTOR This control line to the Interrupt Generator on the ALU Board allows the Interrupt Generator to supply the address for a Micro ROM branch.
LVTYP-0	8-1	8-2	LOAD VECTOR TYPE The control signal used to load the dash mask register on the Display Controller Board.
LWONFI-1	2-1	P201-A20	NOT USED
LXPOS-0	8-1	7-2 P305-11 P306-11	LOAD X POSITION REGISTER This control signal from the Display Controller Board to the Vector Generator Board clocks the X screen address into X Address Counters.
LXRAT-0	8-1	7-1 P305-10 P306-10	LOAD X RATE REGISTER This control signal from the Display Controller Board to the Vector Generator Board clocks the X rate into the X Rate Multiplier.
LYPOS-0	8-1	7-2 P305-31 P306-31	LOAD Y POSITION REGISTER This control signal from the Display Controller Board to the Vector Generator Board clocks the Y screen address into Y Address Counters.
LYRAT-0	8-1	7-1 P305-30 P306-30	LOAD Y RATE REGISTER This control signal from the Display Controller Board to the Vector Generator Board clocks the Y rate into the Y Rate Multiplier.

SIGNAL NAMES

Signal Name	Source (Schematic Page)	Destination (Schematic Page)	Description
M40NSCLK-1	3-1	4-2 P155-A1 P255-A1	MEMORY 40 NANOSECOND CLOCK This is the system timing clock from the MCP Board to the MAS Board.
MAKECOPY-0	6-1 8-1	6-1 J41-11 P60-1*[6] J60-27* P530-27	MAKE COPY The control signal from the Display Controller Board to the hard copy unit used to initiate a hard copy of the crt.
MBO-1	3-4	4-1 P154-A1 P254-A1	M BUS This is an address and data line between the MCP Board and MAS Board.
MB1-1	3-4	4-1 P154-A2 P254-A2	M BUS See MB0-1.
MB2-1	3-4	4-1 P154-A3 P254-A3	M BUS See MB0-1.
MB3-1	3-4	4-1 P154-A4 P254-A4	M BUS See MB0-1.
MB4-1	3-4	4-1 P154-A5 P254-A5	M BUS See MB0-1.
MB5-1	3-4	4-1 P154-A6 P254-A6	M BUS See MB0-1.
MB6-1	3-4	4-1 P154-A7 P254-A7	M BUS See MB0-1.

SIGNAL NAMES

Signal Name	Source (Schematic Page)	Destination (Schematic Page)	Description
MB7-1	3-4	4-1 P154-A8 P254-A8	M BUS See MB0-1.
MB8-1	3-4	4-1 P154-A9 P254-A9	M BUS This is an address and data line between the MCP Board and MAS Board. Same line as FRA0.
MB9-1	3-4	4-1 P154-A10 P254-A10	M BUS This is an address and data line between the MCP Board and MAS Board. Same line as FRA1.
MB10-1	3-4	4-1 P154-A11 P254-A11	M BUS This is an address and data line between the MCP Board and MAS Board. Same line as FRA2.
MB11-1	3-4	4-1 P154-A12 P254-A12	M BUS This is an address and data line between the MCP Board and MAS Board. Same line as FRA3.
MB12-1	3-4	4-1 P154-A13 P254-A13	M BUS This is an address and data line between the MCP Board and MAS Board. Same line as FRA4.
MB13-1	3-4	4-1 P154-A14 P254-A14	M BUS This is an address and data line between the MCP Board and MAS Board. Same line as FRA5.
MB14-1	3-4	4-1 P154-A15 P254-A15	M BUS This is an address and data line between the MCP Board and MAS Board. Same line as FRA6.
MB15-1	3-4	4-1 P154-A16 P254-A16	M BUS This is an address and data line between the MCP Board and MAS Board. Same line as FRA7.

SIGNAL NAMES

Signal Name	Source (Schematic Page)	Destination (Schematic Page)	Description
MBEN0-1 thru MBEN3-2	4-2	4-1	M BUS DATA BUFFER ENABLE These control lines enable the data to and from the MBO thru MB15 lines.
MBLIN-1	3-2	3-4	MEMORY BYTE LATCH IN CLOCK This clock to the Memory Byte Latch and the Zero High/Sign Extended on the MCP Board is used to save the second byte (MBO thru MB7) during an instruction fetch.
MBLOUT-0	3-3	3-4	MEMORY BYTE LATCH OUTPUT ENABLE When low, MBLOUT allows the Memory Byte Latch to be output to the MBO thru MB15 lines.
MBUSXFER-0	3-2	3-3	M BUS TRANSFER This control line to the Mbus Enable on the MCP Board indicates a data transfer from the ALUOUT Latch to the MBO thru MB15 lines.
MCP40NSCLK-1	3-1	3-4	MEMORY COMMAND PROCESSOR 40 NANOSECOND CLOCK This signal is the internal system clock used on the MCP Board.
MCPDAV-1	3-2	2-1 P201-B7	MEMORY COMMAND PROCESSOR DATA VALID This control line from the MCP Board to the ALU Board indicates that the data in the ALUIN Latch is valid.

Signal Name	Source (Schematic Page)	Destination (Schematic Page)	Description
MCPINIT-1	3-1	3-4	MEMORY COMMAND PROCESSOR INITIALIZATION This is the inverse of RESTART-0 used on the MCP Board to initialize the board during power up.
MEMDONE-1	4-3	4-2	MEMORY CYCLE DONE This signal used at the end of a memory access to reset the MAS Board for the next memory cycle and allow refresh of the dynamic memory (RAM space).
MEMNOP-0	3-2	3-1	MEMORY NO OPERATION This control line from the Instruction Decode on the MCP Board indicates, when low, that no MAS Board operation is required for this opcode. This line is the inverse of MEMNOP-1.
MEMNOP-1	3-2	3-1	MEMORY NO OPERATION This control line from the Instruction Decode on the MCP Board, when high, indicates that no MAS Board operation is required for this opcode.
MEXT-0	4-1	4-2	M BUS EXTERNAL ADDRESS This control line from the External Address Decode on the MAS Board, when low, indicates that the address is for an external data access.
MHOLD-0	2-3 3-2	3-1 3-2 P201-B37	MEMORY HOLD This control line from the Pipeline Register on the ALU Board to the MCP Board, when low, prevents the MCP Board from fetching the next opcode.

SIGNAL NAMES

Signal Name	Source (Schematic Page)	Destination (Schematic Page)	Description
MINDIRECT-0	3-1	3-2 4-2 P155-A11 P255-A11	MEMORY INDIRECT This control line from the MCP Board to the MAS Board takes the data from the Data Bus output to the MBO thru MB15 and latches the data into the Address Bus. The MAS Board then gets the data from the new address (performs a memory cycle).
MRDATA-1	14-1	5-2 P102-22 P81-22	MAGNETIC READ DATA This signal is serial data recovered from the tape during a read operation. On the I/O Board, the data is converted to 8-bit parallel data.
MREAD-1	3-2	4-2 P155-A9 P255-A9	MEMORY READ This is the read (high) and write (low) control line from the MCP Board to the MAS Board.
MSPACE-1	3-3 4-1	4-2 4-1 P155-A8 P255-A8	MEMORY SPACE This is the RAM (high) or ROM (low) memory space selection control line from the MAS Board to the MCP Board.
MWORD-1	3-2	4-2 P155-A10 P255-A10	MEMORY WORD This is the 16-bit (high) or 8-bit (low) control line from the MCP Board to the MAS Board.
MYMEM-1	4-2	4-3	MY MEMORY ADDRESS This control line, from the Status Control on the MAS Board, indicates that the address needed by the MAS Board is from the MAS Board (refresh, data indirect, or external 2nd byte access).

SIGNAL NAMES

Signal Name	Source (Schematic Page)	Destination (Schematic Page)	Description
NDAC-0	4-3 5-4	4-3 P101-B2 P106-8 P6-8	NOT DATA ACCEPTED This is a handshake control line on the GPIB. Its true state indicates that data is not accepted. Listener devices cause this line to go false to signal an acceptance of data in response to DAV.
NEXT-0	2-1	2-1 2-2 3-2 P201-B6	NEXT This signal from the MCP Handshake on the ALU Board, when low, indicates that the next micro cycle is to be a instruction fetch.
NMI-0	3-3 4-3 5-2	2-2 3-3 4-3 P101-B21 P155-A13 P201-B39 P255-A13	NON-MASKABLE INTERRUPT This is a high priority interrupt used by the cartridge tape control logic to request service of the ALU Board. This interrupt cannot be disabled.
NOLI-1	8-2	7-2 P305-32 P306-32	NONLINEAR INTERPOLATION The control signal from the Display Controller Board to the Vector Generator Board used to turn the Deglitch Filters off and on.
NON STORE-0	6-1	10-1 P430-40	NOT USED
NRFD-0	4-3 5-4	4-3 P101-B1 P106-7 P6-7	NOT READY FOR DATA This is a handshake signal used by the GPIB to indicate that a listener is not ready for data. The false state indicates that a listener is ready to receive more data.

SIGNAL NAMES

Signal Name	Source (Schematic Page)	Destination (Schematic Page)	Description
OAB0-1 thru OAB15-1	4-1	4-2 4-4 4-5	ODD ADDRESS BUS These are address lines on the MAS Board from the Address Bus to the RAM Control, ROM Control, Address Decoding and Data Control, Odd Patch FPLA, and Odd ROM Array.
OBYTE-1	4-4	4-5	ODD BYTE This signal indicates to the RAM Control, the ROM Control, and the Parity Error Latch that the odd byte is being used.
OPARITY-1	4-1	4-4	ODD PARITY SUM This is the parity error signal line to the Parity Error Latch. When high, OPARITY indicates a parity error.
OPDIN-1	4-1	4-4	ODD PARITY IN This is the odd RAM parity data input from the Parity Generating and Checking.
OPDOUT-1	4-4	4-1	ODD PARITY OUT This is the output signal of the parity RAM to the Parity Generating and Checking.
ORAB1-0 thru ORAB7-0	4-1	4-4	ODD RAM ADDRESS BUS These are the Odd RAM Array address lines from the Address Bus.
ORB0-1 thru ORB7-1	4-1	4-4 4-5	ODD RAM/ROM DATA BUS These lines form the data bus between the Odd RAM Array, Odd ROM Array, and the Data Bus.

SIGNAL NAMES

Signal Name	Source (Schematic Page)	Destination (Schematic Page)	Description
ORGIN-1	6-1 10-2	6-1 9-1 P130-39[9] P430-39	ORGIN This control signal from the Storage Board to the Deflection Amplifier Board clocks the Origin Shift Counter during an erase cycle. The Origin Shift Counter shifts the axes slightly on the next page of data written to the crt screen. This feature enhances the crt screen life.
PCBUSY-0	3-4	3-1	PROGRAM COUNTER BUSY This output control line from the Program Counter on the MCP Board, when low, indicates that the Program Counter is busy incrementing.
PCFUNCTION-0	3-2	3-1	PROGRAM COUNTER FUNCTION This control line from the Instruction Decode, when low, indicates that the operation involves the Program Counter.
PCOUT-0	3-3	3-4	PROGRAM COUNTER OUT This control line to the Program Counters, when low, allows the contents of the Program Counter to be transferred to the MBO thru MB15 lines.
PCTOALU-0	3-2	3-3	PROGRAM COUNTER TO ALU BOARD This control line to the Mbus Enable, when low, indicates the contents of the Program Counter is to be transferred to the ALU Board.

SIGNAL NAMES

Signal Name	Source (Schematic Page)	Destination (Schematic Page)	Description
PIAE-1	4-3 5-1	4-2 4-3 P101-B35 J5-A19	PERIPHERAL INTERFACE ADAPTER ENABLE This signal is derived from the system clock. PIAE is used as a timing or enable pulse for peripheral interfaces such as PIAs and ACIAs.
PIAED-1	5-1	5-2 5-3	PERIPHERAL INTERFACE ADAPTER ENABLE DELAYED This signal is the PIAE-1 sig- nal delayed by a resistor.
PIAS-0	5-1	P101-A22	PERIPHERAL INTERFACE ADAPTER SLOW This signal, when low, pro- vides for slow I/O cycles by stretching the PIAE-1 high time.
PLMC0-1	2-3	2-1 3-2 P201-A10	PIPELINE MEMORY CONTROL This is one of three control lines from the Pipeline Regis- ter on the ALU Board used for micro cycles which require memory access.
PLMC1-1	2-3 3-1	2-1 3-1 3-2 P201-B10	PIPELINE MEMORY CONTROL This is one of three control lines from the Pipeline Regis- ter on the ALU Board used for micro cycles which require memory access.
PLMC2-1	2-3 3-1	2-1 3-1 3-2 P201-A11	PIPELINE MEMORY CONTROL This is one of three control lines from the Pipeline Regis- ter on the ALU Board used for micro cycles which require memory access.

Signal Name	Source (Schematic Page)	Destination (Schematic Page)	Description
PLR43-1 thru PLR55-1	2-3	2-2	PIPELINE REGISTER OUTPUT These output control lines from the Pipeline Register are used either as micro ROM branch address or as ALU constant input.
PLRCLR-0	3-1	3-2	PIPELINE REQUEST CLEAR This is the control line output from the Request Generator to the Instruction Decode on the MCP Board.
PLRDY-0	2-1 3-2	3-1 3-2 P201-A9	PIPELINE READY This timing line from the ALU Board to the MCP Board, when low, indicates the PLMCO thru PLMC2 are valid.
PLREQ-0	3-1	3-2	PIPELINE REQUEST This timing line from the Request Generator to the Instruction Decode on the MCP Board allows the PLMCO thru PLMC2 to be active.
POINT-0	8-1	8-2	POINT The control line on the Display Controller Board used to draw a point at the present beam location.
QA-0	4-2	4-3	QA This is the first stage output of the Memory Request Sequencer on the MAS Board.

SIGNAL NAMES

Signal Name	Source (Schematic Page)	Destination (Schematic Page)	Description
QA-1	4-2	4-3	QA This is the first stage output of the Memory Request Sequencer on the MAS Board.
QACLR-0	4-3	4-2	QA CLEAR This is the first stage clear of the Memory Request Sequencer on the MAS Board.
QB-1	4-3	4-2 4-4	QB This is the second stage output of the internal timing control on the MAS Board.
QC-0	4-3	4-1	QC This is the third stage output of the Internal Timing Control on the MAS Board.
QC-1	4-3	4-1	QC This is the third stage output of the Internal Timing Control on the MAS Board.
QE-1	4-3	4-2	QE This is the fifth stage output of the Internal Timing Control on the MAS Board.
QF-0	4-3	4-2	QF This is the sixth stage output of the Internal Timing Control on the MAS Board.
R+W/ADDR-1	3-2	3-3	READ OR WRITE ADDRESS This control line to the Mbus Enable on the MCP Board indicates that the data on the MBO thru MB15 lines is an address.

SIGNAL NAMES

Signal Name	Source (Schematic Page)	Destination (Schematic Page)	Description
R-1/W-0	4-2	5-1 P101-B36 J5-A5	READ/WRITE This signal indicates a read or a write in the system.
RAMADDR-0	4-2	4-3	RAM ADDRESS SPACE This control line from the Address Decode and Data Control on the MAS Board indicates that the RAM space is being addressed.
RAMADDR-1	4-3	4-4	RAM ADDRESS SPACE This control line from the Address Decode and Data Control on the MAS Board indicates that the RAM space is being addressed.
RAMP	14-1	14-2	RAMP The voltage on this analog line determines the speed of the tape motor and, therefore, the cartridge tape velocity. The RAMP voltage is determined by an integrator circuit on the Motor Drive Board. Tape velocity is approximately 10 inches per second for each volt of RAMP voltage.
RCLK-1	14-1	5-2 P102-20 P81-20	READ CLOCK This signal is generated when data is read from the internal magnetic tape. RCLK is used to clock the serial tape data into the serial-to-parallel shift register. It is also interrogated by one shots to decode the various tape formatting patterns (i.e., intercharacter gaps, record marks, file marks and inter-file gaps).

SIGNAL NAMES

Signal Name	Source (Schematic Page)	Destination (Schematic Page)	Description
RD0-1	7-2	5-3 P114-8 P314-8	READ DISPLAY DATA LINE A display data lined from the Vector Generator Board to the I/O Board used to carry the present position of the writ- ing beam.
RD1-1	7-2	5-3 P114-7 P314-7	READ DISPLAY DATA LINE Refer to RD0-1.
RD2-1	7-2	5-3 P114-6 P314-6	READ DISPLAY DATA LINE Refer to RD0-1.
RD3-1	7-2	5-3 P114-5 P314-5	READ DISPLAY DATA LINE Refer to RD0-1.
RD4-1	7-2	5-3 P114-4 P314-4	READ DISPLAY DATA LINE Refer to RD0-1.
RD5-1	7-2	5-3 P114-3 P314-3	READ DISPLAY DATA LINE Refer to RD0-1.
RD6-1	7-2	5-3 P114-2 P314-2	READ DISPLAY DATA LINE Refer to RD0-1.
RD7-1	7-2	5-3 P114-1 P314-1	READ DISPLAY DATA LINE Refer to RD0-1.
RD8-1	7-2	5-3 P114-12 P314-12	READ DISPLAY DATA LINE Refer to RD0-1.

SIGNAL NAMES

Signal Name	Source (Schematic Page)	Destination (Schematic Page)	Description
RD9-1	7-2	5-3 P114-11 P314-11	READ DISPLAY DATA LINE Refer to RDO-1.
RD10-1	7-2	5-3 P114-10 P314-10	READ DISPLAY DATA LINE Refer to RDO-1.
RD11-1	7-2	5-3 P114-9 P314-9	READ DISPLAY DATA LINE Refer to RDO-1.
READ-0	6-1 J41-9	6-1 9-1 10-2 P60-8*[6] J60-20* P130-20[9] P430-20	HARD COPY READ This control line from the hard copy unit tells the Deflection Amplifier Board and the Storage Board that the display is to use the hard copy ramp inputs for making a hard copy.
READ-1	4-2	4-1 4-3 4-4	READ This control line from the Status Control on the MAS Board indicates that a memory read operation is in process.
REN-0	4-3 5-4	4-3 P101-B5 P106-17 P6-17	REMOTE ENABLE When 4054 activates this signal on the GPIB, the 4054 gets control of all devices on the GPIB, causing these devices to ignore their front panel controls.

SIGNAL NAMES

Signal Name	Source (Schematic Page)	Destination (Schematic Page)	Description
RESTART-0	3-1 4-4 5-1	2-1 3-1 4-2 4-3 4-4 5-2 5-3 5-4 14-1 P81-1 P101-B40 P102-1 P103-14 P155-A7 P201-A38 P255-A7 J5-B20	RESTART This signal is a buffered data line from the MRESTART signal. The RESTART signal resets the 4054 to an initial state and starts the machine operation.
REV-1	5-2	14-1 P102-32 P81-32	REVERSE This signal controls the direction of the tape drive. When REV is true, the tape travels in the backward direction when the tape unit is ordered into motion. When REV is false, the tape travels in the forward direction.
RFRSHEARLY-0	4-2	4-1 4-4	REFRESH EARLY The early refresh signal is used during a refresh cycle on the MAS Board.
RFRSHEARLY-1	4-2	4-1	REFRESH EARLY The early refresh signal is used during a refresh cycle on the MAS Board.
RFRSHLATE-0	4-2	4-3	REFRESH LATE The late refresh signal is used during a refresh cycle on the MAS Board.

SIGNAL NAMES

Signal Name	Source (Schematic Page)	Destination (Schematic Page)	Description
RFRSHLATE-1	4-2	4-1	REFRESH LATE The late refresh signal is used during a refresh cycle on the MAS Board.
ROMCLK-1	4-3	4-5	ROM CLOCK This is the ROM enable signal from the Internal Timing to the ROM Control on the MAS Board.
SA ANALOG	9-1	9-2	SHORT AXIS ANALOG This signal is the ANTIBURN control for the short axis on the Deflection Amplifier Board.
SAFE SW	14-1 15-1	P87-2 P361-2	SAFE SWITCH This switch is open when a tape cartridge is write protected. The switch is closed to attach the +15 volt supply to the tape writing circuits.
SAFE-1	14-1	5-2 P102-27 P81-27	SAFE This signal is generated by the magnetic tape microswitch that indicates whether the tape cartridge is write protected. The true state of the SAFE signal prevents data from being written to the tape cartridge.
SA SLU	9-1	9-2	SHORT AXIS SLU This signal is the short axis input to the Slu Sensor on the Deflection Amplifier Board.
SELECT-0	P40-2[J] (JOYSTICK).	8-2 P307-6	SELECT This signal on the Display Controller is used to select the thumbwheels or the joystick for the GIN inputs.

SIGNAL NAMES

Signal Name	Source (Schematic Page)	Destination (Schematic Page)	Description
SELX0-0	8-1	7-2 P305-12 P306-12	SELECT X ADDRESS OUT This control signal from the Display Controller Board to the Vector Generator Board makes the X address available on the RD0 thru RD11 data lines.
SELY0-0	8-1	7-2 8-2 P305-33 P306-33	SELECT Y ADDRESS OUT The control signal from the Display Controller Board to the Vector Generator Board used to select the Y address to be available on the RD0 thru RD11 data lines.
SEQ0-1 thru SEQ3-1	2-3	2-3	SEQUENCE CONTROL These are four address lines from the Pipeline Register to the Micro Sequencer Branch Control ROM on the ALU Board.
SEQZER-0	2-1	2-3	SEQUENCER ZERO This control line to the Micro ROM Sequencer on the ALU Board outputs a zero address to the Micro ROM to initialize the micro sequence during power up.
SHIFT-0	13-1	5-3 P103-5 P31-3	SHIFT This signal is generated by the keyboard whenever the SHIFT key is pressed.
+SLOW RAMP (XHC RAMP)	6-1 J41-1	6-1 9-1 P60-5*[6] J60-23* P130-23[9]	+SLOW AXIS HARD COPY RAMP This analog line is the slow ramp deflection voltage from the hard copy unit to the Deflection Amplifier Board used during a hard copy operation.

SIGNAL NAMES

Signal Name	Source (Schematic Page)	Destination (Schematic Page)	Description
SLOW-0	4-3 5-1	4-3 P101-B17 J5-14	SLOW This signal, when low, provides for slow I/O cycles by stretching the PIAE-1 high time.
SLU-0	6-1 9-2	6-1 8-1 P530-36	SLU This signal indicates to the Display Controller Board that the Deflection Amplifiers are busy responding to input deflection signals.
SPACER-1	4-2	4-5	SPACE SELECT The space control line from the Status Control on the MAS Board is used to select RAM space (high) or ROM space (low).
SPEAKER	5-3	16-1 P103-12 P60-5[16]	SPEAKER This is a filtered return line for the BUSY signal as it passes through a speaker for generating an audio tone.
SRQ-0	4-3 5-4	4-3 P101-A9 P106-10 P6-10	SERVICE REQUEST This is a control line that is activated by a peripheral device on the GPIB to request service from the 4054. The 4054 responds to SRQ by performing a serial poll of devices on the GPIB.
T160-0	2-1	2-2	TIMING CLOCK 160 The timing clock is used to clear the NMI and HDWFAIL interrupt latches in the Interrupt Generator on the ALU Board.

SIGNAL NAMES

Signal Name	Source (Schematic Page)	Destination (Schematic Page)	Description
TARGET	10-1 12-1	10-1 12-1 J4-1 J132-1 J133-1	TARGET The analog voltage from the Storage Board to the crt used to establish a voltage on the face of the crt.
TARSIG-0	6-1 12-1	6-1 P130-1[12] P30-2*[6] J30-A* P35-2* J35-A* J41-7	TARGET SIGNAL This signal is the display information signal to the hard copy unit from the Hard Copy Deflection Board during a hard copy operation. The signal is low when the crt scan crosses a written area on the screen.
TNIM-1	14-1	5-2 P102-25 P81-25	TAPE NOT IN MOTION This signal is generated by the magnetic tape motor drive circuits to indicate that the tape has stopped.
TPA-0	2-3	2-5	TRANSFER P REGISTER TO RALU This control signal to the Condition Code Set-up enables the Condition Code Register to be transferred to the ALUINO thru ALUIN7 lines on the ALU Board.
TTY-0	13-1	5-3 P103-21 P30-8[13]	TELETYPE LOCK This signal is generated by the TTY LOCK key on the keyboard. When the TTY LOCK key is down, TTY is true and an abbreviated ASCII character set is selected. When TTY is false, this indicates that the TTY LOCK key is up and the full printing ASCII character set is enabled. Decoding of ASCII characters is performed by the firmware.

SIGNAL NAMES

Signal Name	Source (Schematic Page)	Destination (Schematic Page)	Description
TUTS-1	14-1	5-2 P102-23 P81-23	TAPE UP TO SPEED This signal is generated by the motor drive circuitry to indicate that the tape motor is up to operating speed of 30 or 90 inches per second.
UPHOLE-1	14-1	5-2 P102-30 P81-30	UPPER HOLE This signal is generated by a phototransistor as light shines through the upper magnetic tape hole (left side of tape). UPHOLE is used to decode Beginning Of Tape (BOT), the tape load point, and the early warning hole near the end of tape.
UPHOLE	15-1	14-1 P87-6 P361-6	UPPER HOLE This is the analog signal that generates the UPHOLE-1 signal.
UROM39-1	2-3	2-1	MICRO ROM OUTPUT 39 This is a control signal to the Wait Control on the ALU Board.
UROM55-1	2-3	2-1	MICRO ROM OUTPUT 55 This is a control signal to the Wait Control on the ALU board.
USEINDIRECT-0	3-2	3-1	USE INDIRECT This is the indirect control line to the MAS Control on the MCP Board.

SIGNAL NAMES

Signal Name	Source (Schematic Page)	Destination (Schematic Page)	Description
VIEW-0	6-1 8-1	6-1 10-2 P430-42 P530-42	VIEW This control signal from the Display Controller Board resets the Flood Gun Control flip-flop and the View-Erase Counters. If the View-Erase Counters are not reset within approximately 112 seconds, the display enters hold mode, and if not reset within approximately 30 minutes, an ERASE pulse is generated to automatically erase the display screen.
VIP-0	8-1	7-1 P305-13 P306-13	VECTOR IN PROGRESS This status line from the Display Controller Board to the Vector Generator Board and the Display Status Register indicates that the display is drawing a vector.
VIP-1	8-1	7-1 8-2 P305-34 P306-34	VECTOR IN PROGRESS This line is the inverse of VIP-0.
VLCC-0	8-1	8-2	VECTOR LINK COUNTER CARRY This signal stops the display clock (DCLK-1) at the end of vector time.
WAIT-0	6-1 J41-14	6-1 10-2 P60-9*[6] J60-19 P430-19	WAIT The control signal from the hard copy unit to the Storage Board used during a hard copy operation. When this signal is low the crt is being scanned. This signal is only used on hard copy units with the multiplexer option.

SIGNAL NAMES

Signal Name	Source (Schematic Page)	Destination (Schematic Page)	Description
WCLK-0	5-2	14-1 P102-29 P81-21	WRITE CLOCK This signal is generated by the magnetic tape write control circuitry. WCLK is used to clock the data onto the magnetic tape.
WDO-1	5-3	7-1 P114-20 P314-20	WRITE DATA LINE A data line from the I/O Board to the Vector Generator Board used to carry the vector data for drawing vectors.
WD1-1	5-3	7-1 P114-19 P314-19	WRITE DATA LINE Refer to WDO-1
WD2-1	5-3	7-1 P114-18 P314-18	WRITE DATA LINE Refer to WDO-1
WD3-1	5-3	7-1 P114-17 P314-17	WRITE DATA LINE Refer to WDO-1
WD4-1	5-3	7-1 P114-16 P314-16	WRITE DATA LINE Refer to WDO-1
WD5-1	5-3	7-1 P114-15 P314-15	WRITE DATA LINE Refer to WDO-1
WD6-1	5-3	7-1 P114-14 P314-14	WRITE DATA LINE Refer to WDO-1
WD7-1	5-3	7-1 P114-13 P314-13	WRITE DATA LINE Refer to WDO-1

SIGNAL NAMES

Signal Name	Source (Schematic Page)	Destination (Schematic Page)	Description
WD8-1	5-3	7-1 P114-28 P314-28	WRITE DATA LINE Refer to WDO-1
WD9-1	5-3	7-1 P114-26 P314-26	WRITE DATA LINE Refer to WDO-1
WD10-1	5-3	7-1 P114-24 P314-24	WRITE DATA LINE Refer to WDO-1
WD11-1	5-3	7-1 P114-22 P314-22	WRITE DATA LINE Refer to WDO-1
WD12-1	5-3	7-1 P114-34 P314-34	WRITE DATA LINE Refer to WDO-1
WD13-1	5-3	7-1 P114-36 P314-36	WRITE DATA LINE Refer to WDO-1
WD14-1	5-3	7-1 P114-38 P314-38	WRITE DATA LINE Refer to WDO-1
WD15-1	5-3	7-1 P114-40 P314-40	WRITE DATA LINE Refer to WDO-1
WDATA-1	5-2	14-1 P102-24 P81-24	WRITE DATA This is serial data to be written to the internal magnetic tape. The data is unpacked from a parallel-to-serial shift register on the I/O Board and is strobed onto the magnetic tape by the WCLK signal.

SIGNAL NAMES

Signal Name	Source (Schematic Page)	Destination (Schematic Page)	Description
WONFI-0	2-2	2-1	WAIT ON FIRST MICRO CYCLE INPUT This signal causes the ALU Board to wait on the first micro cycle of the instruction micro cycles until the data is Ready on the MCP board.
WONFO-1	2-2	2-1	WAIT ON FIRST MICRO CYCLE OUTPUT This signal causes the ALU board to wait on the first micro cycle of the instructions micro cycles until the data from the ALU board has been accepted by the MCP board.
WORD-0	4-2	4-4	WORD This is the 16-bit (low) or 8-bit (high) control line from the Status Control on the MAS Board.
WORD-1	4-2	4-3	WORD This is the 16-bit (high) or 8-bit (low) control line from the Status Control on the MAS Board.
WR-0	5-2	14-1 P102-29 P81-29	WRITE This signal is generated as data from a Peripheral Interface Adapter (PIA) to select the read/write circuits on the Tape Drive Board. When WR is true, data may be written or stored on the tape cartridge. When WR is false, data may be read from the tape cartridge.

SIGNAL NAMES

Signal Name	Source (Schematic Page)	Destination (Schematic Page)	Description
WRITE-1	4-2	4-3 4-4	WRITE This is the write (high) or read (low) control line from the Status Control on the MAS Board.
WRITETHRU-0	6-1 8-1	6-1 8-2 11-1 P40-10*[11] J40-10* P530-48	WRITE THRU This signal from the Display Controller Board to the High Voltage and Z Axis Board selects the write thru intensity control and disables the normal and brite intensity controls.
WRITETHRU-1	8-1	8-2	WRITE THRU This signal is the inverse of WRITETHRU-0.
WRITE THRU INTENSITY (W.T.INT)	5-5 6-1	5-5 6-1 11-1 P40-10*[11] J40-E* P103-15 P103-32 P5002-1 P5002-3	WRITE THRU INTENSITY This analog line is the write thru intensity control from the adjustment under the keyboard to the High Voltage and Z Axis Board used to control the intensity of the writing beam.
+X	6-1 7-2	6-1 9-1 P130-30[9] P330-30	POSITIVE X AXIS This signal is the positive X axis signal from the Display Controller Board to the Deflection Amplifier Board.
-X	6-1 7-2	6-1 8-2 9-1 P130-31[9] P330-31 P530-31	NEGATIVE X AXIS This signal is the negative X axis signal from the Display Controller Board to the Deflection Amplifier Board.

SIGNAL NAMES

Signal Name	Source (Schematic Page)	Destination (Schematic Page)	Description
XCLIP-1	7-2	8-1 P305-17 P306-17	X AXIS CLIPPER This status line from the Vector Generator Board to the Display Controller Board indicates that the X Axis Clipper has been triggered.
XDIR-1	8-2	7-2 P305-14 P306-14	X AXIS DIRECTION This control line from the Display Controller Board to the Vector Generator Board indicates the direction of the vector on the X axis.
XGIN-0	8-2	7-2 P305-15 P306-15	X AXIS GIN This clock from the GIN control on the Display Controller Board to the Vector Generator Board is for X axis GIN counting.
XJOY	P40-3[J]	8-2 P307-2	X AXIS JOYSTICK This analog signal from the Joystick to the Display Controller Board inputs the X axis Joystick position.
XPOT	8-2	P308-2 P5003-1 P5003-2	X AXIS POT This analog signal from the keyboard thumbwheel to the Display Controller Board controls X axis position.
+Y	6-1 7-2	6-1 8-2 9-1 P130-34[9] P330-34 P530-34	POSITIVE Y AXIS This signal is the positive Y axis signal from the Display Controller Board to the Deflection Amplifier Board.

SIGNAL NAMES

Signal Name	Source (Schematic Page)	Destination (Schematic Page)	Description
-Y	6-1 7-2	6-1 9-1 P130-33[9] P330-33	NEGATIVE Y AXIS This signal is the negative Y axis signal from the Display Controller Board to the Deflection Amplifier Board.
YCLIP-1	7-2	8-1 P305-38 P306-38	Y AXIS CLIPPER This status line from the Vector Generator Board to the Display Controller Board is true when the Y Axis Clipper has been triggered.
YDIR-1	8-2	7-2 P305-35 P306-35	Y AXIS DIRECTION This control line from the Display Controller Board to the Vector Generator Board indicates the direction of the vector on the Y axis.
YGIN-0	8-2	7-2 P305-36 P306-36	Y AXIS GIN This clock from the GIN control on the Display Controller Board to the Vector Generator Board is for Y axis GIN counting.
YJOY	P40-8[J]	8-2 P307-7	Y AXIS JOYSTICK This analog signal from the Joystick to the Display Controller Board inputs the Y axis Joystick position.
YPOT	8-2	P308-3 P5003-3 P5003-4	Y AXIS POT This analog signal from the keyboard thumbwheel to the Display Controller Board controls Y axis position input.

Signal Name	Source (Schematic Page)	Destination (Schematic Page)	Description
Z	6-1 8-2	6-1 9-2 10-2 11-1 P40-5*[11] J40-46* P130-46[9] P430-46 P530-46	Z AXIS This signal turns on the writing beam to the crt depending on the status of the Intensity Control logic.
ZEROOUT-0	3-3	3-4	ZERO OUT This control line to the Zero High/Sign Extended on the MCP board enables the zero or sign extended to the MB8 thru MB15 lines.
ZEROXFER8-0	3-2	3-3	ZERO TRANSFER This control line to the Mbus Enable on the MCP Board indicates a zero must be put to the high byte of an 8-bit data transfer.
ZGATE-1	7-2	8-2 P305-8 P306-8	Z AXIS GATE This control line from the Vector Generator Board to the Display Controller Board controls the Z axis when XCLIP-1 and YCLIP-1 are asserted.

Section 5 REPLACEABLE ELECTRICAL PARTS

PARTS ORDERING INFORMATION

Replacement parts are available from or through your local Tektronix, Inc. Field Office or representative.

Changes to Tektronix instruments are sometimes made to accommodate improved components as they become available, and to give you the benefit of the latest circuit improvements developed in our engineering department. It is therefore important, when ordering parts, to include the following information in your order: Part number, instrument type or number, serial number, and modification number if applicable.

If a part you have ordered has been replaced with a new or improved part, your local Tektronix, Inc. Field Office or representative will contact you concerning any change in part number.

Change information, if any, is located at the rear of this manual.

LIST OF ASSEMBLIES

A list of assemblies can be found at the beginning of the Electrical Parts List. The assemblies are listed in numerical order. When the complete component number of a part is known, this list will identify the assembly in which the part is located.

CROSS INDEX-MFR. CODE NUMBER TO MANUFACTURER

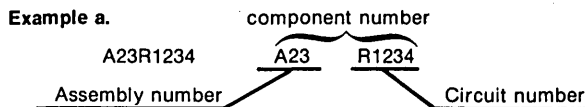
The Mfr. Code Number to Manufacturer index for the Electrical Parts List is located immediately after this page. The Cross Index provides codes, names and addresses of manufacturers of components listed in the Electrical Parts List.

ABBREVIATIONS

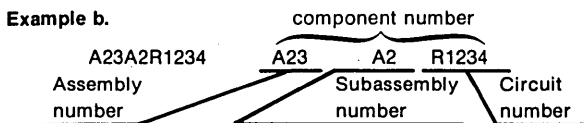
Abbreviations conform to American National Standard Y1.1.

COMPONENT NUMBER (column one of the Electrical Parts List)

A numbering method has been used to identify assemblies, subassemblies and parts. Examples of this numbering method and typical expansions are illustrated by the following:



Read: Resistor 1234 of Assembly 23



Read: Resistor 1234 of Subassembly 2 of Assembly 23

Only the circuit number will appear on the diagrams and circuit board illustrations. Each diagram and circuit board illustration is clearly marked with the assembly number. Assembly numbers are also marked on the mechanical exploded views located in the Mechanical Parts List. The component number is obtained by adding the assembly number prefix to the circuit number.

The Electrical Parts List is divided and arranged by assemblies in numerical sequence (e.g., assembly A1 with its subassemblies and parts, precedes assembly A2 with its subassemblies and parts).

Chassis-mounted parts have no assembly number prefix and are located at the end of the Electrical Parts List.

TEKTRONIX PART NO. (column two of the Electrical Parts List)

Indicates part number to be used when ordering replacement part from Tektronix.

SERIAL/MODEL NO. (columns three and four of the Electrical Parts List)

Column three (3) indicates the serial number at which the part was first used. Column four (4) indicates the serial number at which the part was removed. No serial number entered indicates part is good for all serial numbers.

NAME & DESCRIPTION (column five of the Electrical Parts List)

In the Parts List, an Item Name is separated from the description by a colon (:). Because of space limitations, an Item Name may sometimes appear as incomplete. For further Item Name identification, the U.S. Federal Cataloging Handbook H6-1 can be utilized where possible.

MFR. CODE (column six of the Electrical Parts List)

Indicates the code number of the actual manufacturer of the part. (Code to name and address cross reference can be found immediately after this page.)

MFR. PART NUMBER (column seven of the Electrical Parts List)

Indicates actual manufacturers part number.

REPLACEABLE ELECTRICAL PARTS

CROSS INDEX—MFR. CODE NUMBER TO MANUFACTURER

Mfr. Code	Manufacturer	Address	City, State, Zip
000CA	MOLEX	2222 WELLINGTON COURT	LYLE, ILLINOIS 60532
000FG	RIFA	P O BOX 35263	MINNEAPOLIS, MN 55435
00779	AMP, INC.	P O BOX 3608	HARRISBURG, PA 17105
00853	SANGAMO ELECTRIC CO., S. CAROLINA DIV.	P O BOX 128	PICKENS, SC 29671
01002	GENERAL ELECTRIC COMPANY, INDUSTRIAL AND POWER CAPACITOR PRODUCTS DEPARTMENT	JOHN STREET	HUDSON FALLS, NY 12839
01121	ALLEN-BRADLEY COMPANY	1201 2ND STREET SOUTH	MILWAUKEE, WI 53204
01295	TEXAS INSTRUMENTS, INC., SEMICONDUCTOR GROUP	P O BOX 5012, 13500 N CENTRAL EXPRESSWAY	DALLAS, TX 75222
01963	CHERRY ELECTRICAL PRODUCTS CORPORATION	3600 SUNSET AVENUE	WAUKEGAN, IL 60085
02111	SPECTROL ELECTRONICS CORPORATION	17070 EAST GALE AVENUE	CITY OF INDUSTRY, CA 91745
02777	HOPKINS ENGINEERING COMPANY	12900 FOOTHILL BLVD.	SAN FERNANDO, CA 91342
04009	ARROW-HART, INC.	103 HAWTHORNE STREET	HARTFORD, CT 06106
04222	AVX CERAMICS, DIVISION OF AVX CORP.	P O BOX 867, 19TH AVE. SOUTH	MYRTLE BEACH, SC 29577
04713	MOTOROLA, INC., SEMICONDUCTOR PROD. DIV.	5005 E MCDOWELL RD, PO BOX 20923	PHOENIX, AZ 85036
05574	VIKING INDUSTRIES, INC.	21001 NORDHOFF STREET	CHATSWORTH, CA 91311
07109	OAKTRON INDUSTRIES, INC.	704 30TH STREET	MONROE, WI 53566
07263	FAIRCHILD SEMICONDUCTOR, A DIV. OF FAIRCHILD CAMERA AND INSTRUMENT CORP.	464 ELLIS STREET	MOUNTAIN VIEW, CA 94042
09023	CORNELL-DUBILIER ELECTRONIC DIVISION	FEDERAL PACIFIC ELECTRIC CO.	SANFORD, NC 27330
12969	UNITRODE CORPORATION	580 PLEASANT STREET	WATERTOWN, MA 02172
14433	ITT SEMICONDUCTORS	3301 ELECTRONICS WAY P O BOX 3049	WEST PALM BEACH, FL 33402
14752	ELECTRO CUBE INC.	1710 S. DEL MAR AVE.	SAN GABRIEL, CA 91776
15454	RODAN INDUSTRIES, INC.	2905 BLUE STAR ST.	ANAHEIM, CA 92806
18324	SIGNETICS CORP.	811 E. ARQUES	SUNNYVALE, CA 94086
18583	CURTIS INSTRUMENTS, INC.	200 KISCO AVE.	MOUNT KISCO, NY 10549
19396	ILLINOIS TOOL WORKS, INC. PAKTRON DIV.	900 FOLLIN LANE, SE	VIENNA, VA 22180
20999	MINNESOTA MINING AND MFG CO., INDUSTRIAL ELECTRICAL PRODUCTS DIVISION	3M CENTER	ST. PAUL, MN 55101
22526	BERG ELECTRONICS, INC.	YOUK EXPRESSWAY	NEW CUMBERLAND, PA 17070
24546	CORNING GLASS WORKS, ELECTRONIC COMPONENTS DIVISION	550 HIGH STREET	BRADFORD, PA 16701
27014	NATIONAL SEMICONDUCTOR CORP.	2900 SEMICONDUCTOR DR.	SANTA CLARA, CA 95051
27264	MOLEX PRODUCTS CO.	5224 KATRINE AVE.	DOWNERS GROVE, IL 60515
31718	FAIRCHILD MICROWAVE AND OPTOELECTRONICS, A DIV. OF FAIRCHILD CAMERA AND INSTRUMENT CORP.	4001 MIRANDA AVE.	PALO ALTO, CA 94304
32997	BOURNS, INC., TRIMPOT PRODUCTS DIV.	1200 COLUMBIA AVE.	RIVERSIDE, CA 92507
34335	ADVANCED MICRO DEVICES	901 THOMPSON PL.	SUNNYVALE, CA 94086
53944	ELT INC., GLOW LITE DIVISION	BOX 698	PAULS VALLEY, OK 73075
54492	CINCH COMPANY	6126 MONTECITO BLVD., PO BOX 167	SANTA ROSA, CA 95402
55680	NICHICON/AMERICA/CORP.	6435 N PROESEL AVENUE	CHICAGO, IL 60645
56289	SPRAGUE ELECTRIC CO.		NORTH ADAMS, MA 01247
71400	BUSSMAN MFG., DIVISION OF MCGRAW-EDISON CO.	2536 W. UNIVERSITY ST.	ST. LOUIS, MO 63107
71744	CHICAGO MINIATURE LAMP WORKS	4433 RAVENSWOOD AVE.	CHICAGO, IL 60640
72982	ERIE TECHNOLOGICAL PRODUCTS, INC.	644 W. 12TH ST.	ERIE, PA 16512
73138	BECKMAN INSTRUMENTS, INC., HELIPOT DIV.	2500 HARBOR BLVD.	FULLERTON, CA 92634
75037	MINNESOTA MINING & MFG CO. ELECTRO PRODUCTS DIV.	3M CENTER	ST. PAUL, MN 55101
75042	TRW ELECTRONIC COMPONENTS, IRC FIXED RESISTORS, PHILADELPHIA DIVISION	401 N. BROAD ST.	PHILADELPHIA, PA 19108
76493	BELL INDUSTRIES, INC., MILLER, J. W., DIV.	19070 REYES AVE., P O BOX 5825	COMPTON, CA 90224
76854	OAK INDUSTRIES, INC., SWITCH DIV.	S. MAIN ST.	CRYSTAL LAKE, IL 60014
80009	TEKTRONIX, INC.	P O BOX 500	BEAVERTON, OR 97077
83508	GRANT PULLEY AND HARDWARE CO.	HIGH ST.	WEST NYACK, NY 10994
90201	MALLORY CAPACITOR CO., DIV. OF P. R. MALLORY AND CO., INC.	3029 E. WASHINGTON STREET	INDIANAPOLIS, IN 46206
91637	DALE ELECTRONICS, INC.	P. O. BOX 372 P. O. BOX 609	COLUMBUS, NE 68601

REPLACEABLE ELECTRICAL PARTS

Component No.	Tektronix Part No.	Serial/Model No. Eff Dscnt	Name & Description	Mfr Code	Mfr Part Number
ASSEMBLIES					
A1	670-5942-00		CKT BOARD ASSY:PRIMARY INTERCONNECT	80009	670-5942-00
A2	670-5622-00 ⁰²		CKT BOARD ASSY:+5V OUTPUT	80009	670-5622-00 ⁰²
A3	670-4798-01		CKT BOARD ASSY:LV POWER SUPPLY	80009	670-4798-01
A4	670-5627-01		CKT BOARD ASSY:ALU	80009	670-5627-01
A5	670-5633-00		CKT BOARD ASSY:MEMORY COMMAND.PROCESSOR	80009	670-5633-00
A6	670-6030-01		CKT BOARD ASSY:MEMORY ACCESS SEQUENCER	80009	670-6030-01
A6	672-0799-01		CKT BOARD ASSY:MEMORY ACCESS SEQUENCER (OPTION 24 ONLY)	80009	672-0799-01
A7	670-5666-00		CKT BOARD ASSY:INPUT/OUTPUT	80009	670-5666-00
A8	670-6099-00		CKT BOARD ASSY:INTERCONNECT (SEE MPL FOR REPLACEMENT PARTS)	80009	670-6099-00
A9	670-5667-00		CKT BOARD ASSY:VECTOR GENERATOR	80009	670-5667-00
A10	670-5672-00 ⁰²		CKT BOARD ASSY:DISPLAY CONTROLLER	80009	670-5672-00
A11	672-0783-01 ⁰²		CKT BOARD ASSY:DEFLECTION AMPLIFIER	80009	672-0783-01 ⁰²
A11A1	670-5966-XX		CKT BOARD ASSY:NOT AVAIL,SEE A11		
A12	672-0795-00		CKT BOARD ASSY:STORAGE	80009	672-0795-00
A12A1	670-6127-XX		CKT BOARD ASSY:NOT AVAIL,SEE A12		
A13	672-0807-00		CKT BOARD ASSY:HIGH VOLTAGE & Z-AXIS	80009	672-0807-00
A13A1	670-6191-XX		CKT BOARD ASSY:NOT AVAIL,SEE A13		
A14	670-3097-01		CKT BOARD ASSY:HARD COPY AMPL	80009	670-3097-01
A15	119-1050-00		KEYBOARD:	80009	119-1050-00
A15A1	670-4002-XX		CKT BOARD ASSY:NOT AVAIL,SEE A15		
A16	119-0708-03		TAPE DRIVE:	80009	119-0708-03
A16A1	670-4003-02 ⁰³		CKT BOARD ASSY:TAPE DRIVER	80009	670-4003-02
A16A2	672-0545-02		CKT BOARD ASSY:STATUS	80009	672-0545-02
A17	670-4029-00		CKT BOARD ASSY:INDICATOR LIGHT	80009	670-4029-00
A18	670-6070-00		CKT BOARD ASSY:BACKPACK INTERCONNECT (SEE MPL FOR REPLACEMENT PARTS)	80009	670-6070-00
A19	670-5625-00		CKT BOARD ASSY:FIRMWARE BACKPACK	80009	670-5625-00
A20	670-5626-00		CKT BOARD ASSY:COMMUNICATIONS BACKPACK (OPTION 1 ONLY)	80009	670-5626-00
A21	670-6207-00		CKT BOARD ASSY:SELECTOR (OPTION 2 ONLY)	80009	670-6207-00
A22	670-6206-00		CKT BOARD ASSY:CONNECTOR (OPTS 2,3 ONLY,SEE MPL FOR REPL PARTS)	80009	670-6206-00
A23	670-6208-00		CKT BOARD ASSY:COMMUNICATIONS BACKPACK (OPTION 3 ONLY)	80009	670-6208-00
A24	670-5636-00 ⁰²		CKT BOARD ASSY:RS232 OPT 10 (OPTION 10 ONLY)	80009	670-5636-00
A25	670-5624-00		CKT BOARD ASSY:16K ROM PAK (4052R06)	80009	670-5624-00
A26	670-6250-00		CKT BOARD ASSY:SIGNAL PROCESSING ROM #1 (4052R07)	80009	670-6250-00

REPLACEABLE ELECTRICAL PARTS

Component No.	Tektronix Part No.	Serial/Model No. Eff Dscont	Name & Description	Mfr Code	Mfr Part Number
A1 PRIMARY INTERCONNECT					
A1	670-5942-00		CKT BOARD ASSY:PRIMARY INTERCONNECT	80009	670-5942-00
A1C373	290-0779-00		CAP.,FXD,ELCTLT:10UF,+50-10%,50VDC	56289	502D237
A1C375	290-0797-00		CAP.,FXD,ELCTLT:470UF,+50%-10%,50V	56289	D73403
A1CR212	152-0676-00		SEMICON DVC,DI:RECT,SI,400V,3A	80009	152-0676-00
A1CR213	152-0676-00		SEMICON DVC,DI:RECT,SI,400V,3A	80009	152-0676-00
A1CR380	152-0066-00		SEMICON DEVICE:SILICON,400V,750MA	14433	LG4016
A1CR385	152-0066-00		SEMICON DEVICE:SILICON,400V,750MA	14433	LG4016
A1E231	119-0181-00		ARSR,ELEC SURGE:230V,GAS FILLED	80009	119-0181-00
A1J211	131-2265-00		TERM,FEEDTHRU:10 PIN,INSULATED	27264	09-70-1101
A1J251	131-2447-00		CONN,RCPT,ELEC:CKT BD,4 PIN FEMALE	27264	10-18-1041
A1J311	131-0589-00		TERM,PIN:0.46 L X 0.025 SQ.PH BRZ GL (QUANTITY OF 2)	22526	47350
A1J411	131-0589-00		TERM,PIN:0.46 L X 0.025 SQ.PH BRZ GL (QUANTITY OF 2)	22526	47350
A1J479	131-2182-00		TERM. SET,PIN:1 X 5,0.156 SPACING,RTANG	27264	09-47-1052
A1RT241	307-0353-00		RES.,FXD,FILM:5 OHM,10%,DISC	15454	5DA5RO-K-270SS
A1RT243	307-0353-00		RES.,FXD,FILM:5 OHM,10%,DISC	15454	5DA5RO-K-270SS

REPLACEABLE ELECTRICAL PARTS

Component No.	Tektronix Part No.	Serial/Model No. Eff Dscnt	Name & Description	Mfr Code	Mfr Part Number
A2 +5V OUTPUT					
A2	670-5622-00		CKT BOARD ASSY:+5V OUTPUT	80009	670-5622-00
A2C11	283-0346-00		CAP.,FXD,CER DI:0.47UF,+80-20%,100V	72982	8131-M100F474Z
A2C31	285-0598-00		CAP.,FXD,PLSTC:0.01UF,5%,100V	01002	61F10AC103
A2C32	283-0111-00		CAP.,FXD,CER DI:0.1UF,20%,50V	72982	8121-N088Z5U104M
A2C51	290-0770-00		CAP.,FXD,ELCTLT:100UF,+50-10%,25V	56289	502D230
A2C52	283-0111-00		CAP.,FXD,CER DI:0.1UF,20%,50V	72982	8121-N088Z5U104M
A2C61	290-0853-00		CAP.,FXD,ELCTLT:5600UF,+50-10%,6.3V	56289	273C11
A2C71	290-0800-00		CAP.,FXD,ELCTLT:250UF,+100-10%,20V	56289	672D257H0200M5C
A2C111	283-0594-00		CAP.,FXD,MICA D:0.001UF,1%,100V	00853	D151F102F0
A2C131	283-0111-00		CAP.,FXD,CER DI:0.1UF,20%,50V	72982	8121-N088Z5U104M
A2C132	283-0060-00		CAP.,FXD,CER DI:100PF,5%,200V	72982	855-535U2J101J
A2C141	283-0111-00		CAP.,FXD,CER DI:0.1UF,20%,50V	72982	8121-N088Z5U104M
A2C241	290-0835-00		CAP.,FXD,ELCTLT:420UF,+100-10%,200V	56289	68D10970
A2C431	285-1192-00		CAP.,FXD,PPR DI:0.0022UF,20%,250VAC	000FG	PME271Y422
A2C441	290-0835-00		CAP.,FXD,ELCTLT:420UF,+100-10%,200V	56289	68D10970
A2C451	290-0114-00		CAP.,FXD,ELCTLT:47UF,20%,6V	56289	150D476X0006B2
A2C461	290-0114-00		CAP.,FXD,ELCTLT:47UF,20%,6V	56289	150D476X0006B2
A2C471	283-0198-00		CAP.,FXD,CER DI:0.22UF,20%,50V	72982	8121N083Z5U0224M
A2C481	283-0198-00		CAP.,FXD,CER DI:0.22UF,20%,50V	72982	8121N083Z5U0224M
A2C741	285-0934-00		CAP.,FXD,PLSTC:2.2UF,10%,200V	56289	430P238
A2C761	285-0934-00		CAP.,FXD,PLSTC:2.2UF,10%,200V	56289	430P238
A2C771	283-0659-00		CAP.,FXD,MICA D:1160PF,2%,500V	00853	D195C1161G0
A2C781	285-1192-00		CAP.,FXD,PPR DI:0.0022UF,20%,25VAC	000FG	PME271Y422
A2CR81	152-0066-00		SEMICONV DEVICE:SILICON,400V,750MA	14433	LG4016
A2CR111	152-0141-02		SEMICONV DEVICE:SILICON,30V,50NA	01295	IN4152R
A2CR211	152-0141-02		SEMICONV DEVICE:SILICON,30V,50NA	01295	IN4152R
A2CR351	152-0400-00		SEMICONV DEVICE:SILICON,400V,1A	80009	152-0400-00
A2CR352	152-0400-00		SEMICONV DEVICE:SILICON,400V,1A	80009	152-0400-00
A2CR371	152-0640-00		SEMICONV DEVICE:SILICON,35V,30A,DO-4	04713	MPS-H55
A2CR381	152-0640-00		SEMICONV DEVICE:SILICON,35V,30A,DO-4	04713	MPS-H55
A2CR451	152-0400-00		SEMICONV DEVICE:SILICON,400V,1A	80009	152-0400-00
A2CR452	152-0400-00		SEMICONV DEVICE:SILICON,400V,1A	80009	152-0400-00
A2CR561	152-0400-00		SEMICONV DEVICE:SILICON,400V,1A	80009	152-0400-00
A2CR562	152-0400-00		SEMICONV DEVICE:SILICON,400V,1A	80009	152-0400-00
A2J28	131-2264-00		CONN,RCPT,ELEC:CKT BD,10 CONTACT,R ANGLE	27264	09-62-3101
A2J29	131-2182-00		TERM. SET,PIN:1 X 5,0.156 SPACING,RTANG	27264	09-47-1052
A2L71	108-0950-00		COIL,RF:FIXED,5.5UH	80009	108-0950-00
A2L271	108-0911-00		COIL,RF:FIXED,65UH	80009	108-0911-00
A2L631	108-0422-00		COIL,RF:FIXED,82UH	80009	108-0422-00
A2Q21	151-0302-00		TRANSISTOR:SILICON,NPN	07263	S038487
A2Q22	151-0301-00		TRANSISTOR:SILICON,PNP	04713	2N2907A
A2Q251	151-0391-00		TRANSISTOR:SILICON,PNP	80009	151-0391-00
A2Q261	151-0390-00		TRANSISTOR:SILICON,NPN	80009	151-0390-00
A2Q262	151-0390-00		TRANSISTOR:SILICON,NPN	80009	151-0390-00
A2Q641	151-0632-00		TRANSISTOR:SILICON,NPN	80009	151-0632-00
A2Q651	151-0632-00		TRANSISTOR:SILICON,NPN	80009	151-0632-00
A2R11	321-0277-00		RES.,FXD,FILM:7.5K OHM,1%,0.125W	91637	MFF1816G75000F
A2R12	321-0306-00		RES.,FXD,FILM:15K OHM,1%,0.125W	91637	MFF1816G15001F
A2R13	315-0472-00		RES.,FXD,CMPSN:4.7K OHM,5%,0.25W	01121	CB4725
A2R14	315-0184-00		RES.,FXD,CMPSN:180K OHM,5%,0.25W	01121	CB1845
A2R15	315-0132-00		RES.,FXD,CMPSN:1.3K OHM,5%,0.25W	01121	CB1325
A2R21	315-0472-00		RES.,FXD,CMPSN:4.7K OHM,5%,0.25W	01121	CB4725
A2R22	315-0102-00		RES.,FXD,CMPSN:1K OHM,5%,0.25W	01121	CB1025
A2R23	315-0222-00		RES.,FXD,CMPSN:2.2K OHM,5%,0.25W	01121	CB2225
A2R24	315-0222-00		RES.,FXD,CMPSN:2.2K OHM,5%,0.25W	01121	CB2225

REPLACEABLE ELECTRICAL PARTS

+5V OUTPUT (CONT)

Component No.	Tektronix Part No.	Serial/Model No. Eff Dscont	Name & Description	Mfr Code	Mfr Part Number
A2R31	315-0561-00		RES., FXD, CMPSN: 560 OHM, 5%, 0.25W	01121	CB5615
A2R32	315-0123-00		RES., FXD, CMPSN: 12K OHM, 5%, 0.25W	01121	CB1235
A2R33	321-0410-00		RES., FXD, FILM: 182K OHM, 1%, 0.125W	91637	MFF1816G18202F
A2R41	315-0623-00		RES., FXD, CMPSN: 62K OHM, 5%, 0.25W	01121	CB6235
A2R42	315-0222-00		RES., FXD, CMPSN: 2.2K OHM, 5%, 0.25W	01121	CB2225
A2R43	315-0222-00		RES., FXD, CMPSN: 2.2K OHM, 5%, 0.25W	01121	CB2225
A2R44	321-0197-02		RES., FXD, FILM: 1.1K OHM, 0.5%, 0.125W	91637	MFF1816D11000D
A2R111	315-0105-00		RES., FXD, CMPSN: 1M OHM, 5%, 0.25W	01121	CB1055
A2R131	315-0330-00		RES., FXD, CMPSN: 33 OHM, 5%, 0.25W	01121	CB3305
A2R132	315-0222-00		RES., FXD, CMPSN: 2.2K OHM, 5%, 0.25W	01121	CB2225
A2R133	321-0240-00		RES., FXD, FILM: 3.09K OHM, 1%, 0.125W	91637	MFF1816G30900F
A2R134	315-0102-00		RES., FXD, CMPSN: 1K OHM, 5%, 0.25W	01121	CB1025
A2R141	315-0103-00		RES., FXD, CMPSN: 10K OHM, 5%, 0.25W	01121	CB1035
A2R142	321-0361-00		RES., FXD, FILM: 56.2K OHM, 1%, 0.125W	91637	MFF1816G56201F
A2R143	315-0561-00		RES., FXD, CMPSN: 560 OHM, 5%, 0.25W	01121	CB5615
A2R144	315-0272-00		RES., FXD, CMPSN: 2.7K OHM, 5%, 0.25W	01121	CB2725
A2R151	308-0344-00		RES., FXD, WW: 18.2 OHM, 1%, 3W	91637	RS2B-K18R20F
A2R152	315-0561-00		RES., FXD, CMPSN: 560 OHM, 5%, 0.25W	01121	CB5615
A2R153	315-0561-00		RES., FXD, CMPSN: 560 OHM, 5%, 0.25W	01121	CB5615
A2R181	315-0101-00		RES., FXD, CMPSN: 100 OHM, 5%, 0.25W	01121	CB1015
A2R182	315-0101-00		RES., FXD, CMPSN: 100 OHM, 5%, 0.25W	01121	CB1015
A2R211	315-0105-00		RES., FXD, CMPSN: 1M OHM, 5%, 0.25W	01121	CB1055
A2R212	315-0105-00		RES., FXD, CMPSN: 1M OHM, 5%, 0.25W	01121	CB1055
A2R213	315-0243-00		RES., FXD, CMPSN: 24K OHM, 5%, 0.25W	01121	CB2435
A2R214	315-0752-00		RES., FXD, CMPSN: 7.5K OHM, 5%, 0.25W	01121	CB7525
A2R215	315-0222-00		RES., FXD, CMPSN: 2.2K OHM, 5%, 0.25W	01121	CB2225
A2R251	315-0272-00		RES., FXD, CMPSN: 2.7K OHM, 5%, 0.25W	01121	CB2725
A2R252	315-0272-00		RES., FXD, CMPSN: 2.7K OHM, 5%, 0.25W	01121	CB2725
A2R321	301-0154-00		RES., FXD, CMPSN: 150K OHM, 5%, 0.50W	01121	EB1545
A2R322	301-0154-00		RES., FXD, CMPSN: 150K OHM, 5%, 0.50W	01121	EB1545
A2R471	306-0150-00		RES., FXD, CMPSN: 15 OHM, 10%, 2W	01121	HB1501
A2R481	306-0150-00		RES., FXD, CMPSN: 15 OHM, 10%, 2W	01121	HB1501
A2R521	315-0471-00		RES., FXD, CMPSN: 470 OHM, 5%, 0.25W	01121	CB4715
A2R781	305-0471-00		RES., FXD, CMPSN: 470 OHM, 5%, 2W	01121	HB4715
A2T351	120-1119-00		TRANSFORMER, RF: BASE DRIVE	80009	120-1119-00
A2T531	120-0743-00		XFMR, TOROID: 13 TURNS, BIFILAR	80009	120-0743-00
A2T571	120-1227-00		XFMR, HV PWR, SDN:	80009	120-1227-00
A2U41	156-0411-00		MICROCIRCUIT, LI: QUAD-COMP, SGL SUPPLY	27014	LM339N
A2U111	156-0411-00		MICROCIRCUIT, LI: QUAD-COMP, SGL SUPPLY	27014	LM339N
A2U121	156-0366-00		MICROCIRCUIT, DI: DUAL D-TYPE F-F	80009	156-0366-00
A2U251	156-0575-03		MICROCIRCUIT, DI: 3 INPUT NOR GATE, SELECTED	80009	156-0575-03
A2VR11	152-0662-00		SEMICONV DEVICE: ZENER, 0.4W, 5V, 1%	04713	SZG195

T1003

~~470-5~~

276-0640-00

TOROID, FERRITE CORE

C134

283-0212-00

CAP, 2.0MF

REPLACEABLE ELECTRICAL PARTS

Component No.	Tektronix Part No.	Serial/Model No. Eff Dscont	Name & Description	Mfr Code	Mfr Part Number
A3 LOW VOLTAGE POWER SUPPLY					
A3	670-4798-01		CKT BOARD ASSY:LV POWER SUPPLY	80009	670-4798-01
A3C1	290-0799-00		CAP.,FXD,ELCTLT:300UF,+100-75%,300V	56289	OBD
A3C40	290-0002-00		CAP.,FXD,ELCTLT:8UF,+50-10%,450V	09023	BR8-450
A3C42	283-0002-00		CAP.,FXD,CER DI:0.01UF,+80-20%,500V	72982	811-546E103Z
A3C48	281-0770-00		CAP.,FXD,CER DI:0.001UF,20%,100V	72982	8035D9AADX5R102M
A3C55	290-0512-00		CAP.,FXD,ELCTLT:22UF,20%,15V	56289	196D226X0015KA1
A3C61	281-0772-00		CAP.,FXD,CER DI:0.0047UF,10%,100V	72982	8005H9AADW5R472K
A3C101	290-0799-00		CAP.,FXD,ELCTLT:300UF,+100-75%,300V	56289	OBD
A3C111	290-0581-00		CAP.,FXD,ELCTLT:14,000UF,+75-10%,25V	56289	68D10489
A3C141	290-0746-00		CAP.,FXD,ELCTLT:47UF,+50-10%,16V	56289	502D226
A3C145	290-0746-00		CAP.,FXD,ELCTLT:47UF,+50-10%,16V	56289	502D226
A3C148	290-0746-00		CAP.,FXD,ELCTLT:47UF,+50-10%,16V	56289	502D226
A3C149	290-0746-00		CAP.,FXD,ELCTLT:47UF,+50-10%,16V	56289	502D226
A3C163	281-0523-00		CAP.,FXD,CER DI:100PF,+/-20PF,500V	72982	301-000U2M0101M
A3C168	283-0002-00		CAP.,FXD,CER DI:0.01UF,+80-20%,500V	72982	811-546E103Z
A3C201	290-0799-00		CAP.,FXD,ELCTLT:300UF,+100-75%,300V	56289	OBD
A3C211	290-0581-00		CAP.,FXD,ELCTLT:14,000UF,+75-10%,25V	56289	68D10489
A3C221	290-0508-00		CAP.,FXD,ELCTLT:18,000UF,+100-10%,15V	56289	68D10444
A3C231	290-0508-00		CAP.,FXD,ELCTLT:18,000UF,+100-10%,15V	56289	68D10444
A3CR1	152-0066-00		SEMICONV DEVICE:SILICON,400V,750MA	14433	LG4016
A3CR2	152-0066-00		SEMICONV DEVICE:SILICON,400V,750MA	14433	LG4016
A3CR10	152-0666-00		SEMICONV DEVICE:RECT,SI,800V,1.5A	80009	152-0666-00
A3CR56	152-0066-00		SEMICONV DEVICE:SILICON,400V,750MA	14433	LG4016
A3CR66	152-0066-00		SEMICONV DEVICE:SILICON,400V,750MA	14433	LG4016
A3CR105	152-0066-00		SEMICONV DEVICE:SILICON,400V,750MA	14433	LG4016
A3CR127	152-0066-00		SEMICONV DEVICE:SILICON,400V,750MA	14433	LG4016
A3CR141	152-0066-00		SEMICONV DEVICE:SILICON,400V,750MA	14433	LG4016
A3CR143	152-0066-00		SEMICONV DEVICE:SILICON,400V,750MA	14433	LG4016
A3CR145	152-0066-00		SEMICONV DEVICE:SILICON,400V,750MA	14433	LG4016
A3CR163	152-0066-00		SEMICONV DEVICE:SILICON,400V,750MA	14433	LG4016
A3F30	159-0083-00		FUSE,CARTRIDGE:0.15A,250V,FAST-BLOW	71400	AGC 15/100
A3F35	159-0028-00		FUSE,CARTRIDGE:3AG,0.25A,250V,FAST-BLOW	71400	AGC 1/4
A3F137	159-0083-00		FUSE,CARTRIDGE:0.15A,250V,FAST-BLOW	71400	AGC 15/100
A3F139	159-0021-00		FUSE,CARTRIDGE:3AG,2A,250V,FAST-BLOW	71400	AGC 2
A3F141	159-0021-00		FUSE,CARTRIDGE:3AG,2A,250V,FAST-BLOW	71400	AGC 2
A3F144	159-0006-00		FUSE,CARTRIDGE:5A,3AG,125V,SLOW-BLOW	71400	MDX5
A3F146	159-0149-00		FUSE,CARTRIDGE:4A,250V,SLOW-BLOW	71400	MDA 4 AMP
A3J1	131-1974-00		TERM. SET,PIN:5 MALE CONTACTS	000CA	09-60-1051
A3J32	131-1976-00		TERM. SET,PIN:15 MALE CONT	27264	09-60-1151
A3J43	131-1975-00		TERM. SET,PIN:12 MALE CONTACTS	27264	09-60-1121
A3Q55	151-0280-00		TRANSISTOR:SILICON,PNP	80009	151-0280-00
A3Q60	151-0302-00		TRANSISTOR:SILICON,NPN	07263	S038487
A3Q150	151-0190-00		TRANSISTOR:SILICON,NPN	07263	S032677
A3R21	305-0303-00		RES.,FXD,CMPSN:30K OHM,5%,2W	01121	HB3035
A3R23	305-0303-00		RES.,FXD,CMPSN:30K OHM,5%,2W	01121	HB3035
A3R25	305-0303-00		RES.,FXD,CMPSN:30K OHM,5%,2W	01121	HB3035
A3R41	323-0423-08		RES.,FXD,FILM:249K OHM,1%,0.50W	75042	CECT2-2493F
A3R43	321-0724-03		RES.,FXD,FILM:13.6K OHM,0.25W,0.125W	24546	NC55C1362C
A3R45	315-0681-03		RES.,FXD,CMPSN:680 OHM,5%,0.25W	01121	CB6815
A3R47	315-0133-00		RES.,FXD,CMPSN:13K OHM,5%,0.25W	01121	CB1335
A3R50	308-0223-00		RES.,FXD,WW:35 OHM,5%,3W	91637	RS2B-K35R00J
A3R52	315-0471-00		RES.,FXD,CMPSN:470 OHM,5%,0.25W	01121	CB4715
A3R53	315-0202-00		RES.,FXD,CMPSN:2K OHM,5%,0.25W	01121	CB2025
A3R57	315-0471-00		RES.,FXD,CMPSN:470 OHM,5%,0.25W	01121	CB4715
A3R59	315-0302-00		RES.,FXD,CMPSN:3K OHM,5%,0.25W	01121	CB3025

REPLACEABLE ELECTRICAL PARTS

LV POWER SUPPLY (CONT)

Component No.	Tektronix Part No.	Serial/Model No. Eff Dscont	Name & Description	Mfr Code	Mfr Part Number
A3R62	315-0101-00		RES., FXD, CMPSN:100 OHM, 5%, 0.25W	01121	CB1015
A3R64	315-0202-00		RES., FXD, CMPSN:2K OHM, 5%, 0.25W	01121	CB2025
A3R68	315-0101-00		RES., FXD, CMPSN:100 OHM, 5%, 0.25W	01121	CB1015
A3R141	308-0795-00		RES., FXD, WW:0.2 OHM, 5%, 3W	91637	RS2BR2000J
A3R143	308-0795-00		RES., FXD, WW:0.2 OHM, 5%, 3W	91637	RS2BR2000J
A3R145	315-0101-00		RES., FXD, CMPSN:100 OHM, 5%, 0.25W	01121	CB1015
A3R147	315-0472-00		RES., FXD, CMPSN:4.7K OHM, 5%, 0.25W	01121	CB4725
A3R152	321-0289-03		RES., FXD, FILM:10K OHM, 0.25%, 0.125W	91637	MFF1816D10001C
A3R153	321-0816-07		RES., FXD, FILM:5K OHM, 0.1%, 0.125W	91637	MFF1816C50000B
A3R155	321-0289-03		RES., FXD, FILM:10K OHM, 0.25%, 0.125W	91637	MFF1816D10001C
A3R157	321-0816-07		RES., FXD, FILM:5K OHM, 0.1%, 0.125W	91637	MFF1816C50000B
A3R166	311-1571-00		RES., VAR, NONWIR:500 OHM, 0.50W	73138	91W R500
A3R167	321-0239-00		RES., FXD, FILM:3.01K OHM, 1%, 0.125W	91637	MFF1816G30100F
A3R169	321-0234-00		RES., FXD, FILM:2.67K OHM, 1%, 0.125W	91637	MFF1816G26700F
A3U51	156-0700-00		MICROCIRCUIT, LI:OPERATIONAL AMPLIFIER	80009	156-0700-00
A3U61	156-0699-00		MICROCIRCUIT, LI:VOLTAGE REGULATOR	07263	723HM
A3U161	156-0700-00		MICROCIRCUIT, LI:OPERATIONAL AMPLIFIER	80009	156-0700-00
A3VR50	152-0669-00		SEMICOND DEVICE:ZENER, SI, 5W, 120V, 5%	80009	152-0669-00
A3VR148	152-0127-00		SEMICOND DEVICE:ZENER, 0.4W, 7.5V, 5%	80009	152-0127-00
A3VR151	152-0520-00		SEMICOND DEVICE:ZENER, 1W, 12V, 5%	14433	1N4742A

REPLACEABLE ELECTRICAL PARTS

Component No.	Tektronix Part No.	Serial/Model No. Eff Dscont	Name & Description	Mfr Code	Mfr Part Number
A4 ALU					
A4	670-5627-01		CKT BOARD ASSY:ALU	80009	670-5627-01
A4C1	283-0060-00		CAP., FXD, CER DI:100PF, 5%, 200V	72982	855-535U2J101J
A4C2	283-0647-00		CAP., FXD, MICA D:70PF, 1%, 100V	00853	D151E700F0
A4C3	283-0600-00		CAP., FXD, MICA D:43PF, 5%, 500V	00853	D105E430J0
A4C4	283-0000-00		CAP., FXD, CER DI:0.001UF, +100-0%, 500V	72982	831-516E102P
A4C5	283-0115-00		CAP., FXD, CER DI:47PF, 5%, 200V	72982	805-519-COFO470J
A4C6	283-0060-00		CAP., FXD, CER DI:100PF, 5%, 200V	72982	855-535U2J101J
A4C7	283-0239-00		CAP., FXD, CER DI:0.022UF, 10%, 50V	72982	8121N083X7R0223K
A4C10	283-0422-00		CAP., FXD, CER DI:0.047UF, +80-20%, 50V	04222	DG015E473Z
A4C17	283-0422-00		CAP., FXD, CER DI:0.047UF, +80-20%, 50V	04222	DG015E473Z
A4C20	283-0422-00		CAP., FXD, CER DI:0.047UF, +80-20%, 50V	04222	DG015E473Z
A4C25	283-0422-00		CAP., FXD, CER DI:0.047UF, +80-20%, 50V	04222	DG015E473Z
A4C32	283-0422-00		CAP., FXD, CER DI:0.047UF, +80-20%, 50V	04222	DG015E473Z
A4C35	283-0422-00		CAP., FXD, CER DI:0.047UF, +80-20%, 50V	04222	DG015E473Z
A4C50	283-0422-00		CAP., FXD, CER DI:0.047UF, +80-20%, 50V	04222	DG015E473Z
A4C57	283-0422-00		CAP., FXD, CER DI:0.047UF, +80-20%, 50V	04222	DG015E473Z
A4C60	283-0422-00		CAP., FXD, CER DI:0.047UF, +80-20%, 50V	04222	DG015E473Z
A4C65	283-0422-00		CAP., FXD, CER DI:0.047UF, +80-20%, 50V	04222	DG015E473Z
A4C70	283-0422-00		CAP., FXD, CER DI:0.047UF, +80-20%, 50V	04222	DG015E473Z
A4C74	283-0000-00		CAP., FXD, CER DI:0.001UF, +100-0%, 500V	72982	831-516E102P
A4C76	283-0000-00		CAP., FXD, CER DI:0.001UF, +100-0%, 500V	72982	831-516E102P
A4C90	283-0422-00		CAP., FXD, CER DI:0.047UF, +80-20%, 50V	04222	DG015E473Z
A4C100	283-0422-00		CAP., FXD, CER DI:0.047UF, +80-20%, 50V	04222	DG015E473Z
A4C108	283-0422-00		CAP., FXD, CER DI:0.047UF, +80-20%, 50V	04222	DG015E473Z
A4C115	283-0422-00		CAP., FXD, CER DI:0.047UF, +80-20%, 50V	04222	DG015E473Z
A4C117	283-0422-00		CAP., FXD, CER DI:0.047UF, +80-20%, 50V	04222	DG015E473Z
A4C120	283-0422-00		CAP., FXD, CER DI:0.047UF, +80-20%, 50V	04222	DG015E473Z
A4C130	283-0422-00		CAP., FXD, CER DI:0.047UF, +80-20%, 50V	04222	DG015E473Z
A4C135	283-0422-00		CAP., FXD, CER DI:0.047UF, +80-20%, 50V	04222	DG015E473Z
A4C145	283-0422-00		CAP., FXD, CER DI:0.047UF, +80-20%, 50V	04222	DG015E473Z
A4C155	283-0422-00		CAP., FXD, CER DI:0.047UF, +80-20%, 50V	04222	DG015E473Z
A4C160	283-0422-00		CAP., FXD, CER DI:0.047UF, +80-20%, 50V	04222	DG015E473Z
A4C162	283-0422-00		CAP., FXD, CER DI:0.047UF, +80-20%, 50V	04222	DG015E473Z
A4C165	283-0422-00		CAP., FXD, CER DI:0.047UF, +80-20%, 50V	04222	DG015E473Z
A4C175	283-0422-00		CAP., FXD, CER DI:0.047UF, +80-20%, 50V	04222	DG015E473Z
A4C180	283-0422-00		CAP., FXD, CER DI:0.047UF, +80-20%, 50V	04222	DG015E473Z
A4C200	283-0422-00		CAP., FXD, CER DI:0.047UF, +80-20%, 50V	04222	DG015E473Z
A4C210	283-0422-00		CAP., FXD, CER DI:0.047UF, +80-20%, 50V	04222	DG015E473Z
A4C217	283-0422-00		CAP., FXD, CER DI:0.047UF, +80-20%, 50V	04222	DG015E473Z
A4C225	283-0422-00		CAP., FXD, CER DI:0.047UF, +80-20%, 50V	04222	DG015E473Z
A4C232	283-0422-00		CAP., FXD, CER DI:0.047UF, +80-20%, 50V	04222	DG015E473Z
A4C235	283-0422-00		CAP., FXD, CER DI:0.047UF, +80-20%, 50V	04222	DG015E473Z
A4C240	283-0422-00		CAP., FXD, CER DI:0.047UF, +80-20%, 50V	04222	DG015E473Z
A4C245	283-0422-00		CAP., FXD, CER DI:0.047UF, +80-20%, 50V	04222	DG015E473Z
A4C250	283-0422-00		CAP., FXD, CER DI:0.047UF, +80-20%, 50V	04222	DG015E473Z
A4C257	283-0422-00		CAP., FXD, CER DI:0.047UF, +80-20%, 50V	04222	DG015E473Z
A4C262	283-0422-00		CAP., FXD, CER DI:0.047UF, +80-20%, 50V	04222	DG015E473Z
A4C270	283-0422-00		CAP., FXD, CER DI:0.047UF, +80-20%, 50V	04222	DG015E473Z
A4C275	283-0422-00		CAP., FXD, CER DI:0.047UF, +80-20%, 50V	04222	DG015E473Z
A4C285	283-0422-00		CAP., FXD, CER DI:0.047UF, +80-20%, 50V	04222	DG015E473Z
A4C290	283-0422-00		CAP., FXD, CER DI:0.047UF, +80-20%, 50V	04222	DG015E473Z
A4C300	283-0422-00		CAP., FXD, CER DI:0.047UF, +80-20%, 50V	04222	DG015E473Z
A4C310	283-0422-00		CAP., FXD, CER DI:0.047UF, +80-20%, 50V	04222	DG015E473Z
A4C315	283-0422-00		CAP., FXD, CER DI:0.047UF, +80-20%, 50V	04222	DG015E473Z
A4C325	283-0422-00		CAP., FXD, CER DI:0.047UF, +80-20%, 50V	04222	DG015E473Z

REPLACEABLE ELECTRICAL PARTS

ALU (CONT)

Component No.	Tektronix Part No.	Serial/Model No. Eff Dscont	Name & Description	Mfr Code	Mfr Part Number
A4C335	283-0422-00		CAP., FXD, CER DI:0.047UF, +80-20%, 50V	04222	DG015E473Z
A4C345	283-0422-00		CAP., FXD, CER DI:0.047UF, +80-20%, 50V	04222	DG015E473Z
A4C350	283-0422-00		CAP., FXD, CER DI:0.047UF, +80-20%, 50V	04222	DG015E473Z
A4C355	283-0422-00		CAP., FXD, CER DI:0.047UF, +80-20%, 50V	04222	DG015E473Z
A4C360	283-0422-00		CAP., FXD, CER DI:0.047UF, +80-20%, 50V	04222	DG015E473Z
A4C365	283-0422-00		CAP., FXD, CER DI:0.047UF, +80-20%, 50V	04222	DG015E473Z
A4C370	283-0422-00		CAP., FXD, CER DI:0.047UF, +80-20%, 50V	04222	DG015E473Z
A4C380	283-0422-00		CAP., FXD, CER DI:0.047UF, +80-20%, 50V	04222	DG015E473Z
A4C385	290-0287-00		CAP., FXD, ELCTLT:47UF, 20%, 25V	56289	150D475X0035B2
A4DS190	150-1001-01		LAMP, LED: RED, 2V, 100MA	80009	150-1001-01
A4DS195	150-1001-01		LAMP, LED: RED, 2V, 100MA	80009	150-1001-01
A4J201A	131-1844-00		CONN, RCPT, ELEC: CKT CARD, 2/21 CONT	00779	2-86415-4
A4J201B	131-1844-00		CONN, RCPT, ELEC: CKT CARD, 2/21 CONT	00779	2-86415-4
A4J200	131-0608-00		TERMINAL, PIN: 0.365 L X 0.25 PH, BRZ, GOLD PL	22526	47357
A4J200	-----		(QUANTITY OF 2)		
A4J203	131-0608-00		TERMINAL, PIN: 0.365 L X 0.25 PH, BRZ, GOLD PL	22526	47357
A4J203	-----		(QUANTITY OF 10)		
A4J204	131-0608-00		TERMINAL, PIN: 0.365 L X 0.25 PH, BRZ, GOLD PL	22526	47357
A4J204	-----		(QUANTITY OF 10)		
A4J205	131-0608-00		TERMINAL, PIN: 0.365 L X 0.25 PH, BRZ, GOLD PL	22526	47357
A4J205	-----		(QUANTITY OF 10)		
A4J206	131-0608-00		TERMINAL, PIN: 0.365 L X 0.25 PH, BRZ, GOLD PL	22526	47357
A4J206	-----		(QUANTITY OF 10)		
A4J207	131-0608-00		TERMINAL, PIN: 0.365 L X 0.25 PH, BRZ, GOLD PL	22526	47357
A4J207	-----		(QUANTITY OF 8)		
A4L1	108-0245-00		COIL, RF: 3.9UH	80009	108-0245-00
A4Q1	151-0427-00		TRANSISTOR: SILICON, NPN	80009	151-0427-00
A4Q5	151-0190-00		TRANSISTOR: SILICON, NPN	07263	S032677
A4R1	315-0561-00		RES., FXD, CMPSN: 560 OHM, 5%, 0.25W	01121	CB5615
A4R2	315-0562-00		RES., FXD, CMPSN: 5.6K OHM, 5%, 0.25W	01121	CB5625
A4R3	315-0472-00		RES., FXD, CMPSN: 4.7K OHM, 5%, 0.25W	01121	CB4725
A4R4	315-0471-00		RES., FXD, CMPSN: 470 OHM, 5%, 0.25W	01121	CB4715
A4R5	315-0472-00		RES., FXD, CMPSN: 4.7K OHM, 5%, 0.25W	01121	CB4725
A4R6	315-0472-00		RES., FXD, CMPSN: 4.7K OHM, 5%, 0.25W	01121	CB4725
A4R7	315-0151-00		RES., FXD, CMPSN: 150 OHM, 5%, 0.25W	01121	CB1515
A4R17	315-0102-00		RES., FXD, CMPSN: 1K OHM, 5%, 0.25W	01121	CB1025
A4R55	315-0102-00		RES., FXD, CMPSN: 1K OHM, 5%, 0.25W	01121	CB1025
A4R57	315-0102-00		RES., FXD, CMPSN: 1K OHM, 5%, 0.25W	01121	CB1025
A4R60	315-0102-00		RES., FXD, CMPSN: 1K OHM, 5%, 0.25W	01121	CB1025
A4R71	315-0472-00		RES., FXD, CMPSN: 4.7K OHM, 5%, 0.25W	01121	CB4725
A4R72	315-0472-00		RES., FXD, CMPSN: 4.7K OHM, 5%, 0.25W	01121	CB4725
A4R73	315-0101-00		RES., FXD, CMPSN: 100 OHM, 5%, 0.25W	01121	CB1015
A4R75	315-0101-00		RES., FXD, CMPSN: 100 OHM, 5%, 0.25W	01121	CB1015
A4R80	315-0472-00		RES., FXD, CMPSN: 4.7K OHM, 5%, 0.25W	01121	CB4725
A4R82	315-0472-00		RES., FXD, CMPSN: 4.7K OHM, 5%, 0.25W	01121	CB4725
A4R86	315-0103-00		RES., FXD, CMPSN: 10K OHM, 5%, 0.25W	01121	CB1035
A4R100	315-0102-00		RES., FXD, CMPSN: 1K OHM, 5%, 0.25W	01121	CB1025
A4R109	315-0102-00		RES., FXD, CMPSN: 1K OHM, 5%, 0.25W	01121	CB1025
A4R111	315-0102-00		RES., FXD, CMPSN: 1K OHM, 5%, 0.25W	01121	CB1025
A4R122	315-0102-00		RES., FXD, CMPSN: 1K OHM, 5%, 0.25W	01121	CB1025
A4R140	315-0102-00		RES., FXD, CMPSN: 1K OHM, 5%, 0.25W	01121	CB1025
A4R190	315-0471-00		RES., FXD, CMPSN: 470 OHM, 5%, 0.25W	01121	CB4715
A4R192	315-0471-00		RES., FXD, CMPSN: 470 OHM, 5%, 0.25W	01121	CB4715
A4R218	315-0102-00		RES., FXD, CMPSN: 1K OHM, 5%, 0.25W	01121	CB1025
A4R258	315-0621-00		RES., FXD, CMPSN: 620 OHM, 5%, 0.25W	01121	CB6215
A4R272	315-0621-00		RES., FXD, CMPSN: 620 OHM, 5%, 0.25W	01121	CB6215
A4R309	315-0102-00		RES., FXD, CMPSN: 1K OHM, 5%, 0.25W	01121	CB1025

REPLACEABLE ELECTRICAL PARTS

ALU (CONT)

Component No.	Tektronix Part No.	Serial/Model No. Eff Dscont	Name & Description	Mfr Code	Mfr Part Number
A4R312	315-0102-00		RES.,FXD,CMPSN:1K OHM,5%,0.25W	01121	CB1025
A4R317	315-0102-00		RES.,FXD,CMPSN:1K OHM,5%,0.25W	01121	CB1025
A4R333	315-0102-00		RES.,FXD,CMPSN:1K OHM,5%,0.25W	01121	CB1025
A4U10	156-0323-00		MICROCIRCUIT,DI:HEX. INVERTER	01295	SN74S04N
A4U15	156-0118-00		MICROCIRCUIT,DI:J-K MASTER-SLAVE FLIP-FLOP	80009	156-0118-00
A4U17	156-1197-00		MICROCIRCUIT,DI:8 BIT UNIVERSAL SHIFT	80009	156-1197-00
A4U20	156-0097-00		MICROCIRCUIT,DI:DIV BY 2 AND 5 RIPPLE CNTR	80009	156-0097-00
A4U25	156-0118-00		MICROCIRCUIT,DI:J-K MASTER-SLAVE FLIP-FLOP	80009	156-0118-00
A4U30	156-0118-00		MICROCIRCUIT,DI:J-K MASTER-SLAVE FLIP-FLOP	80009	156-0118-00
A4U32	156-0567-00		MICROCIRCUIT,DI:DUAL J-K NEG EDGE TRIG F-F	01295	SN74LS113N
A4U35	156-0383-00		MICROCIRCUIT,DI:QUAD 2-INPUT NOR GATE	80009	156-0383-00
A4U50	156-0392-00		MICROCIRCUIT,DI:QUAD LATCH	80009	156-0392-00
A4U55	156-0735-00		MICROCIRCUIT,DI:4-BIT BISTABLE LATCH	80009	156-0735-00
A4U57	156-0385-00		MICROCIRCUIT,DI:HEX. INVERTER	80009	156-0385-00
A4U60	156-0331-00		MICROCIRCUIT,DI:DUAL D-TYPE,FLIP-FLOP	80009	156-0331-00
A4U62	156-0392-00		MICROCIRCUIT,DI:QUAD LATCH	80009	156-0392-00
A4U65	156-0374-00		MICROCIRCUIT,DI:QUAD 2-INPUT NOR BUFFER	80009	156-0374-00
A4U70	156-0331-00		MICROCIRCUIT,DI:DUAL D-TYPE,FLIP-FLOP	80009	156-0331-00
A4U72	156-0385-00		MICROCIRCUIT,DI:HEX. INVERTER	80009	156-0385-00
A4U80	156-0464-00		MICROCIRCUIT,DI:DUAL 4-INPUT NAND GATE	80009	156-0464-00
A4U85	156-0383-00		MICROCIRCUIT,DI:QUAD 2-INPUT NOR GATE	80009	156-0383-00
A4U90	156-0724-00		MICROCIRCUIT,DI:HEX INVERTER/WOPEN COL OUT	80009	156-0724-00
A4U100	156-0994-00		MICROCIRCUIT,DI:8 INPUT DATA SEL/MUX	80009	156-0994-00
A4U105	156-0916-00		MICROCIRCUIT,DI:EIGHT 2-INP 3-STATE BFR	80009	156-0916-00
A4U108	156-0994-00		MICROCIRCUIT,DI:8 INPUT DATA SEL/MUX	80009	156-0994-00
A4U110	156-0479-00		MICROCIRCUIT,DI:QUAD 2-INPUT OR GATE	27014	DM74LS32N
A4U115	156-0418-00		MICROCIRCUIT,DI:8-INPUT,NAND GATE	80009	156-0418-00
A4U117	156-0320-00		MICROCIRCUIT,DI:TRIPLE 3-INPUT NAND GATE	01295	SN74S11N
A4U120	156-0180-00		MICROCIRCUIT,DI:QUAD 2-INPUT NAND GATE	01295	SN74S00N
A4U125	156-0180-00		MICROCIRCUIT,DI:QUAD 2-INPUT NAND GATE	01295	SN74S00N
A4U130	156-0321-00		MICROCIRCUIT,DI:TRIPLE 3-INPUT NAND GATE	80009	156-0321-00
A4U132	156-0118-00		MICROCIRCUIT,DI:J-K MASTER-SLAVE FLIP-FLOP	80009	156-0118-00
A4U135	156-0690-00		MICROCIRCUIT,DI:QUAD 2-INP NOR GATE	01295	SN74S02N
A4U140	156-0388-00		MICROCIRCUIT,DI:DUAL D-TYPE FLIP-FLOP	80009	156-0388-00
A4U145	156-0331-00		MICROCIRCUIT,DI:DUAL D-TYPE,FLIP-FLOP	80009	156-0331-00
A4U150	156-0916-00		MICROCIRCUIT,DI:EIGHT 2-INP 3-STATE BFR	80009	156-0916-00
A4U155	156-0464-00		MICROCIRCUIT,DI:DUAL 4-INPUT NAND GATE	80009	156-0464-00
A4U157	156-0784-00		MICROCIRCUIT,DI:SYNC 4 BIT BINARY COUNTER	01295	SN74LS163AN
A4U160	156-0994-00		MICROCIRCUIT,DI:8 INPUT DATA SEL/MUX	80009	156-0994-00
A4U162	156-0383-00		MICROCIRCUIT,DI:QUAD 2-INPUT NOR GATE	80009	156-0383-00
A4U165	156-0707-00		MICROCIRCUIT,DI:QUAD 2-INPUT EXCL OR GATE	01295	SN74S86N
A4U170	160-0325-00		MICROCIRCUIT,DI:32 X 8 PROM,3STATE OUT,PRG	80009	160-0325-00
A4U172	160-0327-00		MICROCIRCUIT,DI:32 X 8 PROM,3STATE OUT	80009	160-0327-00
A4U175	156-0388-00		MICROCIRCUIT,DI:DUAL D-TYPE FLIP-FLOP	80009	156-0388-00
A4U180	156-0382-00		MICROCIRCUIT,DI:QUAD 2-INPUT NAND GATE	80009	156-0382-00
A4U185	156-0541-00		MICROCIRCUIT,DI:DECODER/DEMULTIPLEXER	27014	DM74LS139N
A4U200	156-0865-00		MICROCIRCUIT,DI:OCTAL D TYPE FF W/CLEAR	01295	SN74LS273 N OR J
A4U205	156-0916-00		MICROCIRCUIT,DI:EIGHT 2-INP 3-STATE BFR	80009	156-0916-00
A4U210	156-0960-00		MICROCIRCUIT,DI:PROM,PROGRAMMED	80009	156-0960-00
A4U215	156-0865-00		MICROCIRCUIT,DI:OCTAL D TYPE FF W/CLEAR	01295	SN74LS273 N OR J
A4U217	156-0916-00		MICROCIRCUIT,DI:EIGHT 2-INP 3-STATE BFR	80009	156-0916-00
A4U220	156-0916-00		MICROCIRCUIT,DI:EIGHT 2-INP 3-STATE BFR	80009	156-0916-00
A4U225	156-1046-00		MICROCIRCUIT,DI:OCTAL D TYPE EDGE TRIG FF	80009	156-1046-00
A4U230	156-0865-00		MICROCIRCUIT,DI:OCTAL D TYPE FF W/CLEAR	01295	SN74LS273 N OR J
A4U232	156-0916-00		MICROCIRCUIT,DI:EIGHT 2-INP 3-STATE BFR	80009	156-0916-00
A4U235	160-0326-00		MICROCIRCUIT,DI:32 X 8 PROM,STATE OUT PRG	80009	160-0326-00
A4U240	156-0865-00		MICROCIRCUIT,DI:OCTAL D TYPE FF W/CLEAR	01295	SN74LS273 N OR J

REPLACEABLE ELECTRICAL PARTS

ALU (CONT)

Component No.	Tektronix Part No.	Serial/Model No. Eff	Dscont	Name & Description	Mfr Code	Mfr Part Number
A4U245	156-1209-00			MICROCIRCUIT,DI:MICROPROGRAM SEQUENCER	80009	156-1209-00
A4U250	156-1209-00			MICROCIRCUIT,DI:MICROPROGRAM SEQUENCER	80009	156-1209-00
A4U255	156-0471-00			MICROCIRCUIT,DI:DUAL 4-LINE TO 1-LINE	01295	SN74LS253N
A4U257	156-0471-00			MICROCIRCUIT,DI:DUAL 4-LINE TO 1-LINE	01295	SN74LS253N
A4U260	156-0692-00			MICROCIRCUIT,DI:LOOK AHEAD CARRY GENERATOR	80009	156-0692-00
A4U262	156-0480-00			MICROCIRCUIT,DI:QUAD 2-INPUT AND GATE	80009	156-0480-00
A4U265	156-0994-00			MICROCIRCUIT,DI:8 INPUT DATA SEL/MUX	80009	156-0994-00
A4U270	156-0994-00			MICROCIRCUIT,DI:8 INPUT DATA SEL/MUX	80009	156-0994-00
A4U272	156-0994-00			MICROCIRCUIT,DI:8 INPUT DATA SEL/MUX	80009	156-0994-00
A4U275	156-0994-00			MICROCIRCUIT,DI:8 INPUT DATA SEL/MUX	80009	156-0994-00
A4U285	156-0994-00			MICROCIRCUIT,DI:8 INPUT DATA SEL/MUX	80009	156-0994-00
A4U290	156-0994-00			MICROCIRCUIT,DI:8 INPUT DATA SEL/MUX	80009	156-0994-00
A4U300	160-0332-00			MICROCIRCUIT,DI:1024 X 8 PROM,PROGRAMMED	80009	160-0332-00
A4U305	160-0333-00			MICROCIRCUIT,DI:1024 X 8 PROM,PROGRAMMED	80009	160-0333-00
A4U310	156-0865-00			MICROCIRCUIT,DI:OCTAL D TYPE FF W/CLEAR	01295	SN74LS273 N OR J
A4U315	160-0334-00			MICROCIRCUIT,DI:1024 X 8 PROM,PROGRAMMED	80009	160-0334-00
A4U320	160-0335-00			MICROCIRCUIT,DI:1024 X 8 PROM,PROGRAMMED	80009	160-0335-00
A4U325	156-0865-00			MICROCIRCUIT,DI:OCTAL D TYPE FF W/CLEAR	01295	SN74LS273 N OR J
A4U330	160-0336-00			MICROCIRCUIT,DI:1024 X 8 PROM,PROGRAMMED	80009	160-0336-00
A4U335	160-0337-00			MICROCIRCUIT,DI:1024 X 8 PROM,PROGRAMMED	80009	160-0337-00
A4U340	160-0340-00			MICROCIRCUIT,DI:PROM,PROGRAMMED	80009	160-0340-00
A4U345	156-1046-00			MICROCIRCUIT,DI:OCTAL D TYPE EDGE TRIG FF	80009	156-1046-00
A4U350	156-1209-00			MICROCIRCUIT,DI:MICRO PROGRAM SEQUENCER	80009	156-1209-00
A4U355	156-1043-00			MICROCIRCUIT,DI:4 BIT MICROPROCESSOR SLICE	80009	156-1043-00
A4U360	156-1043-00			MICROCIRCUIT,DI:4 BIT MICROPROCESSOR SLICE	80009	156-1043-00
A4U365	156-1043-00			MICROCIRCUIT,DI:4 BIT MICROPROCESSOR SLICE	80009	156-1043-00
A4U370	156-1043-00			MICROCIRCUIT,DI:4 BIT MICROPROCESSOR SLICE	80009	156-1043-00
A4U375	156-0916-00			MICROCIRCUIT,DI:EIGHT 2-INP 3-STATE BFR	80009	156-0916-00
A4U380	156-0798-00			MICROCIRCUIT,DI:DUAL 4 LINE TO 1 LINE	01295	SN74LS153N
A4U385	156-0865-00			MICROCIRCUIT,DI:OCTAL D TYPE FF W/CLEAR	01295	SN74LS273 N OR J
A4Y1	158-0165-00			XTAL UNIT,QTZ:49.152 MHZ,0.01%,SERIES		

REPLACEABLE ELECTRICAL PARTS

Component No.	Tektronix Part No.	Serial/Model No. Eff	Discont	Name & Description	Mfr Code	Mfr Part Number
A5 MEMORY COMMAND PROCESSOR						
A5	670-5633-00			CKT BOARD ASSY:MEMORY COMMAND.PROCESSOR	80009	670-5633-00
A5C15	290-0847-00			CAP.,FXD,ELCTLT:47UF,+50-10%,10V	55680	10ELA47
A5C35	283-0421-00			CAP.,FXD,CER DI:0.1UF,+80-20%,50V	04222	DG015E104Z
A5C51	283-0421-00			CAP.,FXD,CER DI:0.1UF,+80-20%,50V	04222	DG015E104Z
A5C65	283-0421-00			CAP.,FXD,CER DI:0.1UF,+80-20%,50V	04222	DG015E104Z
A5C71	290-0847-00			CAP.,FXD,ELCTLT:47UF,+50-10%,10V	55680	10ELA47
A5C115	283-0421-00			CAP.,FXD,CER DI:0.1UF,+80-20%,50V	04222	DG015E104Z
A5C135	283-0421-00			CAP.,FXD,CER DI:0.1UF,+80-20%,50V	04222	DG015E104Z
A5C151	283-0421-00			CAP.,FXD,CER DI:0.1UF,+80-20%,50V	04222	DG015E104Z
A5C165	283-0421-00			CAP.,FXD,CER DI:0.1UF,+80-20%,50V	04222	DG015E104Z
A5C211	290-0847-00			CAP.,FXD,ELCTLT:47UF,+50-10%,100V	55680	10ELA47
A5C215	283-0421-00			CAP.,FXD,CER DI:0.1UF,+80-20%,50V	04222	DG015E104Z
A5C225	283-0421-00			CAP.,FXD,CER DI:0.1UF,+80-20%,50V	04222	DG015E104Z
A5C235	283-0421-00			CAP.,FXD,CER DI:0.1UF,+80-20%,50V	04222	DG015E104Z
A5C251	283-0421-00			CAP.,FXD,CER DI:0.1UF,+80-20%,50V	04222	DG015E104Z
A5C265	283-0421-00			CAP.,FXD,CER DI:0.1UF,+80-20%,50V	04222	DG015E104Z
A5C275	283-0421-00			CAP.,FXD,CER DI:0.1UF,+80-20%,50V	04222	DG015E104Z
A5C285	283-0421-00			CAP.,FXD,CER DI:0.1UF,+80-20%,50V	04222	DG015E104Z
A5C295	283-0421-00			CAP.,FXD,CER DI:0.1UF,+80-20%,50V	04222	DG015E104Z
A5C325	283-0421-00			CAP.,FXD,CER DI:0.1UF,+80-20%,50V	04222	DG015E104Z
A5C335	283-0421-00			CAP.,FXD,CER DI:0.1UF,+80-20%,50V	04222	DG015E104Z
A5C351	283-0421-00			CAP.,FXD,CER DI:0.1UF,+80-20%,50V	04222	DG015E104Z
A5C365	283-0421-00			CAP.,FXD,CER DI:0.1UF,+80-20%,50V	04222	DG015E104Z
A5C375	283-0421-00			CAP.,FXD,CER DI:0.1UF,+80-20%,50V	04222	DG015E104Z
A5C385	283-0421-00			CAP.,FXD,CER DI:0.1UF,+80-20%,50V	04222	DG015E104Z
A5C395	283-0421-00			CAP.,FXD,CER DI:0.1UF,+80-20%,50V	04222	DG015E104Z
A5C421	283-0421-00			CAP.,FXD,CER DI:0.1UF,+80-20%,50V	04222	DG015E104Z
A5C435	283-0421-00			CAP.,FXD,CER DI:0.1UF,+80-20%,50V	04222	DG015E104Z
A5C451	283-0421-00			CAP.,FXD,CER DI:0.1UF,+80-20%,50V	04222	DG015E104Z
A5C465	283-0421-00			CAP.,FXD,CER DI:0.1UF,+80-20%,50V	04222	DG015E104Z
A5C475	283-0421-00			CAP.,FXD,CER DI:0.1UF,+80-20%,50V	04222	DG015E104Z
A5C485	283-0421-00			CAP.,FXD,CER DI:0.1UF,+80-20%,50V	04222	DG015E104Z
A5C495	283-0421-00			CAP.,FXD,CER DI:0.1UF,+80-20%,50V	04222	DG015E104Z
A5C515	283-0421-00			CAP.,FXD,CER DI:0.1UF,+80-20%,50V	04222	DG015E104Z
A5C525	283-0421-00			CAP.,FXD,CER DI:0.1UF,+80-20%,50V	04222	DG015E104Z
A5C535	283-0421-00			CAP.,FXD,CER DI:0.1UF,+80-20%,50V	04222	DG015E104Z
A5C551	283-0421-00			CAP.,FXD,CER DI:0.1UF,+80-20%,50V	04222	DG015E104Z
A5C565	283-0421-00			CAP.,FXD,CER DI:0.1UF,+80-20%,50V	04222	DG015E104Z
A5C575	283-0421-00			CAP.,FXD,CER DI:0.1UF,+80-20%,50V	04222	DG015E104Z
A5C585	283-0421-00			CAP.,FXD,CER DI:0.1UF,+80-20%,50V	04222	DG015E104Z
A5C595	283-0421-00			CAP.,FXD,CER DI:0.1UF,+80-20%,50V	04222	DG015E104Z
A5C615	283-0421-00			CAP.,FXD,CER DI:0.1UF,+80-20%,50V	04222	DG015E104Z
A5C625	283-0421-00			CAP.,FXD,CER DI:0.1UF,+80-20%,50V	04222	DG015E104Z
A5C635	283-0421-00			CAP.,FXD,CER DI:0.1UF,+80-20%,50V	04222	DG015E104Z
A5C651	283-0421-00			CAP.,FXD,CER DI:0.1UF,+80-20%,50V	04222	DG015E104Z
A5C665	283-0421-00			CAP.,FXD,CER DI:0.1UF,+80-20%,50V	04222	DG015E104Z
A5C675	283-0421-00			CAP.,FXD,CER DI:0.1UF,+80-20%,50V	04222	DG015E104Z
A5C681	283-0421-00			CAP.,FXD,CER DI:0.1UF,+80-20%,50V	04222	DG015E104Z
A5C695	283-0421-00			CAP.,FXD,CER DI:0.1UF,+80-20%,50V	04222	DG015E104Z
A5C711	290-0847-00			CAP.,FXD,ELCTLT:47UF,+50-10%,10V	55680	10ELA47
A5C781	290-0847-00			CAP.,FXD,ELCTLT:47UF,+50-10%,10V	55680	10ELA47
A5DS1	150-1001-01			LAMP,LED:RED,2V,100MA	80009	150-1001-01
A5DS2	150-1001-01			LAMP,LED:RED,2V,100MA	80009	150-1001-01
A5DS3	150-1001-01			LAMP,LED:RED,2V,100MA	80009	150-1001-01
A5DS4	150-1001-01			LAMP,LED:RED,2V,100MA	80009	150-1001-01

REPLACEABLE ELECTRICAL PARTS

MEMORY COMMAND PROCESSOR (CONT)

Component No.	Tektronix Part No.	Serial/Model No. Eff Dscnt	Name & Description	Mfr Code	Mfr Part Number
A5J201	131-1717-01		CONN,RCPT,ELEC:CKT BD,2 X 42,FEMALE	00779	3-86018-4
A5J254	131-1465-00		CONNECTOR,RCPT,:34 RT ANGEL CONT	20999	3431-1002
A5J255	131-1465-00		CONNECTOR,RCPT,:34 RT ANGEL CONT	20999	3431-1002
A5J258	131-2250-00		CONN,RCPT,ELEC:CKT BD,5 MALE	27264	09-61-1053
A5J259	131-2250-00		CONN,RCPT,ELEC:CKT BD,5 MALE	27264	09-61-1053
A5J264	131-0608-00		TERMINAL,PIN:0.365 L X 0.25 PH,BRZ,GOLD PL (QUANTITY OF 17)	22526	47357
A5J266	131-0608-00		TERMINAL,PIN:0.365 L X 0.25 PH,BRZ,GOLD PL (QUANTITY OF 18)	22526	47357
A5J268	131-0608-00		TERMINAL,PIN:0.365 L X 0.25 PH,BRZ,GOLD PL (QUANTITY OF 17)	22526	47357
A5J272	131-0608-00		TERMINAL,PIN:0.365 L X 0.25 PH,BRZ,GOLD PL (QUANTITY OF 17)	22526	47357
A5J276	131-0608-00		TERMINAL,PIN:0.365 L X 0.25 PH,BRZ,GOLD PL (QUANTITY OF 10)	22526	47357
A5R36	315-0102-00		RES.,FXD,CMPSN:1K OHM,5%,0.25W	01121	CB1025
A5R63	315-0102-00		RES.,FXD,CMPSN:1K OHM,5%,0.25W	01121	CB1025
A5R136	315-0102-00		RES.,FXD,CMPSN:1K OHM,5%,0.25W	01121	CB1025
A5R163	315-0102-00		RES.,FXD,CMPSN:1K OHM,5%,0.25W	01121	CB1025
A5R224	315-0102-00		RES.,FXD,CMPSN:1K OHM,5%,0.25W	01121	CB1025
A5R242	315-0102-00		RES.,FXD,CMPSN:1K OHM,5%,0.25W	01121	CB1025
A5R283	315-0102-00		RES.,FXD,CMPSN:1K OHM,5%,0.25W	01121	CB1025
A5R312	315-0471-00		RES.,FXD,CMPSN:470 OHM,5%,0.25W	01121	CB4715
A5R313	315-0471-00		RES.,FXD,CMPSN:470 OHM,5%,0.25W	01121	CB4715
A5R314	315-0471-00		RES.,FXD,CMPSN:470 OHM,5%,0.25W	01121	CB4715
A5R315	315-0471-00		RES.,FXD,CMPSN:470 OHM,5%,0.25W	01121	CB4715
A5R324	315-0102-00		RES.,FXD,CMPSN:1K OHM,5%,0.25W	01121	CB1025
A5R342	315-0150-00		RES.,FXD,CMPSN:15 OHM,5%,0.25W	01121	CB1505
A5R360	315-0102-00		RES.,FXD,CMPSN:1K OHM,5%,0.25W	01121	CB1025
A5R417	315-0102-00		RES.,FXD,CMPSN:1K OHM,5%,0.25W	01121	CB1025
A5R463	315-0102-00		RES.,FXD,CMPSN:1K OHM,5%,0.25W	01121	CB1025
A5R483	315-0102-00		RES.,FXD,CMPSN:1K OHM,5%,0.25W	01121	CB1025
A5R487	315-0102-00		RES.,FXD,CMPSN:1K OHM,5%,0.25W	01121	CB1025
A5R524	315-0102-00		RES.,FXD,CMPSN:1K OHM,5%,0.25W	01121	CB1025
A5R542	315-0102-00		RES.,FXD,CMPSN:1K OHM,5%,0.25W	01121	CB1025
A5R573	315-0102-00		RES.,FXD,CMPSN:1K OHM,5%,0.25W	01121	CB1025
A5R617	315-0102-00		RES.,FXD,CMPSN:1K OHM,5%,0.25W	01121	CB1025
A5R626	315-0102-00		RES.,FXD,CMPSN:1K OHM,5%,0.25W	01121	CB1025
A5R673	315-0102-00		RES.,FXD,CMPSN:1K OHM,5%,0.25W	01121	CB1025
A5R683	315-0102-00		RES.,FXD,CMPSN:1K OHM,5%,0.25W	01121	CB1025
A5R687	315-0102-00		RES.,FXD,CMPSN:1K OHM,5%,0.25W	01121	CB1025
A5U35	156-0418-00		MICROCIRCUIT,DI:8-INPUT,NAND GATE	80009	156-0418-00
A5U41	156-0418-00		MICROCIRCUIT,DI:8-INPUT,NAND GATE	80009	156-0418-00
A5U51	156-0418-00		MICROCIRCUIT,DI:8-INPUT,NAND GATE	80009	156-0418-00
A5U61	156-0304-00		MICROCIRCUIT,DI:DUAL 4-INPUT,NAND GATE	18324	N74S20A
A5U65	156-0180-00		MICROCIRCUIT,DI:QUAD 2-INPUT NAND GATE	01295	SN74S00N
A5U115	156-0323-00		MICROCIRCUIT,DI:HEX. INVERTER	01295	SN74S04N
A5U121	156-0331-00		MICROCIRCUIT,DI:DUAL D-TYPE,FLIP-FLOP	80009	156-0331-00
A5U135	156-0180-00		MICROCIRCUIT,DI:QUAD 2-INPUT NAND GATE	01295	SN74S00N
A5U141	156-0418-00		MICROCIRCUIT,DI:8-INPUT,NAND GATE	80009	156-0418-00
A5U151	156-0180-00		MICROCIRCUIT,DI:QUAD 2-INPUT NAND GATE	01295	SN74S00N
A5U161	156-0418-00		MICROCIRCUIT,DI:8-INPUT,NAND GATE	80009	156-0418-00
A5U165	156-0418-00		MICROCIRCUIT,DI:8-INPUT,NAND GATE	80009	156-0418-00
A5U171	156-0739-00		MICROCIRCUIT,DI:QUADR 2-INPUT POS OR GATE	01295	SN74S32N
A5U215	156-0690-00		MICROCIRCUIT,DI:QUAD 2-INP NOR GATE	01295	SN74S02N
A5U221	156-0180-00		MICROCIRCUIT,DI:QUAD 2-INPUT NAND GATE	01295	SN74S00N
A5U225	156-0118-00		MICROCIRCUIT,DI:J-K MASTER-SLAVE FLIP-FLOP	80009	156-0118-00

REPLACEABLE ELECTRICAL PARTS

MEMORY COMMAND PROCESSOR (CONT)

Component No.	Tektronix Part No.	Serial/Model No. Eff Dscont	Name & Description	Mfr Code	Mfr Part Number
A5U235	156-0118-00		MICROCIRCUIT,DI:J-K MASTER-SLAVE FLIP-FLOP	80009	156-0118-00
A5U251	156-0321-00		MICROCIRCUIT,DI:TRIPLE 3-INPUT NAND GATE	80009	156-0321-00
A5U261	156-0180-00		MICROCIRCUIT,DI:QUAD 2-INPUT NAND GATE	01295	SN74S00N
A5U265	156-0180-00		MICROCIRCUIT,DI:QUAD 2-INPUT NAND GATE	01295	SN74S00N
A5U271	156-0459-02		MICROCIRCUIT,DI:QUAD 2 INPUT & GATE,BURN	80009	156-0459-02
A5U275	156-0320-00		MICROCIRCUIT,DI:TRIPLE 3-INPUT NAND GATE	01295	SN74S11N
A5U281	156-0418-00		MICROCIRCUIT,DI:8-INPUT,NAND GATE	80009	156-0418-00
A5U321	156-0724-00		MICROCIRCUIT,DI:HEX INVERTER/WOPEN COL OUT	80009	156-0724-00
A5U325	156-0331-00		MICROCIRCUIT,DI:DUAL D-TYPE,FLIP-FLOP	80009	156-0331-00
A5U335	156-0321-00		MICROCIRCUIT,DI:TRIPLE 3-INPUT NAND GATE	80009	156-0321-00
A5U341	156-0459-02		MICROCIRCUIT,DI:QUAD 2 INPUT & GATE,BURN	80009	156-0459-02
A5U351	156-0321-00		MICROCIRCUIT,DI:TRIPLE 3-INPUT NAND GATE	80009	156-0321-00
A5U361	156-0304-00		MICROCIRCUIT,DI:DUAL 4-INPUT,NAND GATE	18324	N74S20A
A5U365	156-0323-00		MICROCIRCUIT,DI:HEX. INVERTER	01295	SN74S04N
A5U371	156-0180-00		MICROCIRCUIT,DI:QUAD 2-INPUT NAND GATE	01295	SN74S00N
A5U375	156-0321-00		MICROCIRCUIT,DI:TRIPLE 3-INPUT NAND GATE	80009	156-0321-00
A5U381	156-0323-00		MICROCIRCUIT,DI:HEX. INVERTER	01295	SN74S04N
A5U385	156-0180-00		MICROCIRCUIT,DI:QUAD 2-INPUT NAND GATE	01295	SN74S00N
A5U391	156-0150-00		MICROCIRCUIT,DI:QUAD 2-INPUT POS NAND BFR	01295	SN7437N
A5U395	156-0418-00		MICROCIRCUIT,DI:8-INPUT,NAND GATE	80009	156-0418-00
A5U415	156-1250-00		MICROCIRCUIT,DI:OCTAL D-TYPE TRANS LATCHES	80009	156-1250-00
A5U421	156-1250-00		MICROCIRCUIT,DI:OCTAL D-TYPE TRANS LATCHES	80009	156-1250-00
A5U425	156-1198-00		MICROCIRCUIT,DI:SYNCHRONOUS 4BIT COUNTER	80009	156-1198-00
A5U435	156-1198-00		MICROCIRCUIT,DI:SYNCHRONOUS 4BIT COUNTER	80009	156-1198-00
A5U441	156-1250-00		MICROCIRCUIT,DI:OCTAL D-TYPE TRANS LATCHES	80009	156-1250-00
A5U451	156-1046-02		MICROCIRCUIT,DI:OCTAL D-TYPE EDGE TRIG FF	80009	156-1046-02
A5U461	156-0180-00		MICROCIRCUIT,DI:QUAD 2-INPUT NAND GATE	01295	SN74S00N
A5U465	156-0694-00		MICROCIRCUIT,DI:DECODER/DEMULTIPLEXER	34335	SN74S138N
A5U471	156-0739-00		MICROCIRCUIT,DI:QUADR 2-INPUT POS OR GATE	01295	SN74S32N
A5U475	156-0331-00		MICROCIRCUIT,DI:DUAL D-TYPE,FLIP-FLOP	80009	156-0331-00
A5U481	156-0323-00		MICROCIRCUIT,DI:HEX. INVERTER	01295	SN74S04N
A5U485	156-0118-00		MICROCIRCUIT,DI:J-K MASTER-SLAVE FLIP-FLOP	80009	156-0118-00
A5U491	156-0331-00		MICROCIRCUIT,DI:DUAL D-TYPE,FLIP-FLOP	80009	156-0331-00
A5U495	156-0118-00		MICROCIRCUIT,DI:J-K MASTER-SLAVE FLIP-FLOP	80009	156-0118-00
A5U515	156-1046-02		MICROCIRCUIT,DI:OCTAL D-TYPE EDGE TRIG FF	80009	156-1046-02
A5U521	156-1250-00		MICROCIRCUIT,DI:OCTAL D-TYPE TRANS LATCHES	80009	156-1250-00
A5U525	156-1198-00		MICROCIRCUIT,DI:SYNCHRONOUS 4BIT COUNTER	80009	156-1198-00
A5U535	156-1198-00		MICROCIRCUIT,DI:SYNCHRONOUS 4BIT COUNTER	80009	156-1198-00
A5U541	156-1250-00		MICROCIRCUIT,DI:OCTAL D-TYPE TRANS LATCHES	80009	156-1250-00
A5U551	156-1046-02		MICROCIRCUIT,DI:OCTAL D-TYPE EDGE TRIG FF	80009	156-1046-02
A5U561	156-0459-02		MICROCIRCUIT,DI:QUAD 2 INPUT & GATE,BURN	80009	156-0459-02
A5U565	156-0966-00		MICROCIRCUIT,DI:DUAL 5-INPUT NOR GATE	80009	156-0966-00
A5U571	156-0388-00		MICROCIRCUIT,DI:DUAL D-TYPE FLIP-FLOP	80009	156-0388-00
A5U575	156-0690-00		MICROCIRCUIT,DI:QUAD 2-INP NOR GATE	01295	SN74S02N
A5U581	156-0331-00		MICROCIRCUIT,DI:DUAL D-TYPE,FLIP-FLOP	80009	156-0331-00
A5U585	156-0388-00		MICROCIRCUIT,DI:DUAL D-TYPE FLIP-FLOP	80009	156-0388-00
A5U591	156-0388-00		MICROCIRCUIT,DI:DUAL D-TYPE FLIP-FLOP	80009	156-0388-00
A5U595	156-0690-00		MICROCIRCUIT,DI:QUAD 2-INP NOR GATE	01295	SN74S02N
A5U615	156-0331-00		MICROCIRCUIT,DI:DUAL D-TYPE,FLIP-FLOP	80009	156-0331-00
A5U621	156-0948-02		MICROCIRCUIT,DI:QUAD D F-F,BURN-IN	80009	156-0948-02
A5U625	156-0331-00		MICROCIRCUIT,DI:DUAL D-TYPE,FLIP-FLOP	80009	156-0331-00
A5U635	156-0331-00		MICROCIRCUIT,DI:DUAL D-TYPE,FLIP-FLOP	80009	156-0331-00
A5U641	156-0331-00		MICROCIRCUIT,DI:DUAL D-TYPE,FLIP-FLOP	80009	156-0331-00
A5U651	156-0690-00		MICROCIRCUIT,DI:QUAD 2-INP NOR GATE	01295	SN74S02N
A5U661	156-0331-00		MICROCIRCUIT,DI:DUAL D-TYPE,FLIP-FLOP	80009	156-0331-00
A5U665	156-0323-00		MICROCIRCUIT,DI:HEX. INVERTER	01295	SN74S04N
A5U671	156-0118-00		MICROCIRCUIT,DI:J-K MASTER-SLAVE FLIP-FLOP	80009	156-0118-00

REPLACEABLE ELECTRICAL PARTS

MEMORY COMMAND PROCESSOR (CONT)

Component No.	Tektronix Part No.	Serial/Model No. Eff Dscont	Name & Description	Mfr Code	Mfr Part Number
A5U675	156-0180-00		MICROCIRCUIT,DI:QUAD 2-INPUT NAND GATE	01295	SN74S00N
A5U681	156-0331-00		MICROCIRCUIT,DI:DUAL D-TYPE,FLIP-FLOP	80009	156-0331-00
A5U685	156-0331-00		MICROCIRCUIT,DI:DUAL D-TYPE,FLIP-FLOP	80009	156-0331-00
A5U691	156-0331-00		MICROCIRCUIT,DI:DUAL D-TYPE,FLIP-FLOP	80009	156-0331-00
A5U695	156-0118-00		MICROCIRCUIT,DI:J-K MASTER-SLAVE FLIP-FLOP	80009	156-0118-00

REPLACEABLE ELECTRICAL PARTS

Component No.	Tektronix Part No.	Serial/Model No. Eff Dscont	Name & Description	Mfr Code	Mfr Part Number
A6 MEMORY ACCESS SEQUENCER					
A6	670-6030-01		CKT BOARD ASSY:MEMORY ACCESS SEQUENCER	80009	670-6030-01
A6	672-0799-01		CKT BOARD ASSY:MEMORY ACCESS SEQUENCER	80009	672-0799-01
	-----		(OPTION 24 ONLY)		
A6C115	283-0421-00		CAP., FXD, CER DI:0.1UF, +80-20%, 50V	04222	DG015E104Z
A6C125	283-0421-00		CAP., FXD, CER DI:0.1UF, +80-20%, 50V	04222	DG015E104Z
A6C135	283-0421-00		CAP., FXD, CER DI:0.1UF, +80-20%, 50V	04222	DG015E104Z
A6C145	283-0421-00		CAP., FXD, CER DI:0.1UF, +80-20%, 50V	04222	DG015E104Z
A6C165	283-0421-00		CAP., FXD, CER DI:0.1UF, +80-20%, 50V	04222	DG015E104Z
A6C175	283-0421-00		CAP., FXD, CER DI:0.1UF, +80-20%, 50V	04222	DG015E104Z
A6C185	283-0421-00		CAP., FXD, CER DI:0.1UF, +80-20%, 50V	04222	DG015E104Z
A6C194	290-0746-00		CAP., FXD, ELCTLT:47UF, +50-10%, 16V	56289	502D226
A6C195	283-0421-00		CAP., FXD, CER DI:0.1UF, +80-20%, 50V	04222	DG015E104Z
A6C210	283-0421-00		CAP., FXD, CER DI:0.1UF, +80-20%, 50V	04222	DG015E104Z
A6C220	283-0421-00		CAP., FXD, CER DI:0.1UF, +80-20%, 50V	04222	DG015E104Z
A6C230	283-0421-00		CAP., FXD, CER DI:0.1UF, +80-20%, 50V	04222	DG015E104Z
A6C240	283-0421-00		CAP., FXD, CER DI:0.1UF, +80-20%, 50V	04222	DG015E104Z
A6C250	283-0421-00		CAP., FXD, CER DI:0.1UF, +80-20%, 50V	04222	DG015E104Z
A6C270	283-0421-00		CAP., FXD, CER DI:0.1UF, +80-20%, 50V	04222	DG015E104Z
A6C280	283-0421-00		CAP., FXD, CER DI:0.1UF, +80-20%, 50V	04222	DG015E104Z
A6C290	283-0421-00		CAP., FXD, CER DI:0.1UF, +80-20%, 50V	04222	DG015E104Z
A6C315	283-0421-00		CAP., FXD, CER DI:0.1UF, +80-20%, 50V	04222	DG015E104Z
A6C325	283-0421-00		CAP., FXD, CER DI:0.1UF, +80-20%, 50V	04222	DG015E104Z
A6C335	283-0421-00		CAP., FXD, CER DI:0.1UF, +80-20%, 50V	04222	DG015E104Z
A6C340	283-0421-00		CAP., FXD, CER DI:0.1UF, +80-20%, 50V	04222	DG015E104Z
A6C365	283-0421-00		CAP., FXD, CER DI:0.1UF, +80-20%, 50V	04222	DG015E104Z
A6C375	283-0421-00		CAP., FXD, CER DI:0.1UF, +80-20%, 50V	04222	DG015E104Z
A6C385	283-0421-00		CAP., FXD, CER DI:0.1UF, +80-20%, 50V	04222	DG015E104Z
A6C395	283-0421-00		CAP., FXD, CER DI:0.1UF, +80-20%, 50V	04222	DG015E104Z
A6C410	283-0421-00		CAP., FXD, CER DI:0.1UF, +80-20%, 50V	04222	DG015E104Z
A6C420	283-0421-00		CAP., FXD, CER DI:0.1UF, +80-20%, 50V	04222	DG015E104Z
A6C435	283-0421-00		CAP., FXD, CER DI:0.1UF, +80-20%, 50V	04222	DG015E104Z
A6C445	283-0421-00		CAP., FXD, CER DI:0.1UF, +80-20%, 50V	04222	DG015E104Z
A6C460	283-0421-00		CAP., FXD, CER DI:0.1UF, +80-20%, 50V	04222	DG015E104Z
A6C470	283-0421-00		CAP., FXD, CER DI:0.1UF, +80-20%, 50V	04222	DG015E104Z
A6C480	283-0421-00		CAP., FXD, CER DI:0.1UF, +80-20%, 50V	04222	DG015E104Z
A6C490	283-0421-00		CAP., FXD, CER DI:0.1UF, +80-20%, 50V	04222	DG015E104Z
A6C605	290-0746-00		CAP., FXD, ELCTLT:47UF, +50-10%, 16V	56289	502D226
A6C610	283-0421-00		CAP., FXD, CER DI:0.1UF, +80-20%, 50V	04222	DG015E104Z
A6C615	283-0421-00		CAP., FXD, CER DI:0.1UF, +80-20%, 50V	04222	DG015E104Z
A6C625	283-0421-00		CAP., FXD, CER DI:0.1UF, +80-20%, 50V	04222	DG015E104Z
A6C635	283-0421-00		CAP., FXD, CER DI:0.1UF, +80-20%, 50V	04222	DG015E104Z
A6C645	283-0421-00		CAP., FXD, CER DI:0.1UF, +80-20%, 50V	04222	DG015E104Z
A6C660	283-0421-00		CAP., FXD, CER DI:0.1UF, +80-20%, 50V	04222	DG015E104Z
A6C670	283-0421-00		CAP., FXD, CER DI:0.1UF, +80-20%, 50V	04222	DG015E104Z
A6C680	283-0421-00		CAP., FXD, CER DI:0.1UF, +80-20%, 50V	04222	DG015E104Z
A6C687	283-0421-00		CAP., FXD, CER DI:0.1UF, +80-20%, 50V	04222	DG015E104Z
A6C695	283-0421-00		CAP., FXD, CER DI:0.1UF, +80-20%, 50V	04222	DG015E104Z
A6C696	290-0746-00		CAP., FXD, ELCTLT:47UF, +50-10%, 16V	56289	502D226
A6C705	283-0421-00		CAP., FXD, CER DI:0.1UF, +80-20%, 50V	04222	DG015E104Z
A6C709	290-0804-00		CAP., FXD, ELCTLT:10UF, +50-10%, 25V	55680	25ULA10-T
A6C710	283-0421-00		CAP., FXD, CER DI:0.1UF, +80-20%, 50V	04222	DG015E104Z
A6C713	283-0421-00		CAP., FXD, CER DI:0.1UF, +80-20%, 50V	04222	DG015E104Z
A6C715	283-0421-00		CAP., FXD, CER DI:0.1UF, +80-20%, 50V	04222	DG015E104Z
A6C720	283-0421-00		CAP., FXD, CER DI:0.1UF, +80-20%, 50V	04222	DG015E104Z
A6C725	283-0421-00		CAP., FXD, CER DI:0.1UF, +80-20%, 50V	04222	DG015E104Z

REPLACEABLE ELECTRICAL PARTS

MEMORY ACCESS SEQUENCER (CONT)

Component No.	Tektronix Part No.	Serial/Model No. Eff Dscont	Name & Description	Mfr Code	Mfr Part Number
A6C730	283-0421-00		CAP., FXD, CER DI:0.1UF, +80-20%, 50V	04222	DG015E104Z
A6C735	283-0421-00		CAP., FXD, CER DI:0.1UF, +80-20%, 50V	04222	DG015E104Z
A6C740	283-0421-00		CAP., FXD, CER DI:0.1UF, +80-20%, 50V	04222	DG015E104Z
A6C745	283-0421-00		CAP., FXD, CER DI:0.1UF, +80-20%, 50V	04222	DG015E104Z
A6C760	283-0421-00		CAP., FXD, CER DI:0.1UF, +80-20%, 50V	04222	DG015E104Z
A6C765	283-0421-00		CAP., FXD, CER DI:0.1UF, +80-20%, 50V	04222	DG015E104Z
A6C770	283-0421-00		CAP., FXD, CER DI:0.1UF, +80-20%, 50V	04222	DG015E104Z
A6C775	283-0421-00		CAP., FXD, CER DI:0.1UF, +80-20%, 50V	04222	DG015E104Z
A6C780	283-0421-00		CAP., FXD, CER DI:0.1UF, +80-20%, 50V	04222	DG015E104Z
A6C785	283-0421-00		CAP., FXD, CER DI:0.1UF, +80-20%, 50V	04222	DG015E104Z
A6C787	283-0421-00		CAP., FXD, CER DI:0.1UF, +80-20%, 50V	04222	DG015E104Z
A6C790	283-0421-00		CAP., FXD, CER DI:0.1UF, +80-20%, 50V	04222	DG015E104Z
A6C795	283-0421-00		CAP., FXD, CER DI:0.1UF, +80-20%, 50V	04222	DG015E104Z
A6C797	283-0421-00		CAP., FXD, CER DI:0.1UF, +80-20%, 50V	04222	DG015E104Z
A6C798	290-0804-00		CAP., FXD, ELCLT:10UF, +50-10%, 25V	55680	25ULA10-T
A6C810	283-0421-00		CAP., FXD, CER DI:0.1UF, +80-20%, 50V	04222	DG015E104Z
A6C813	283-0421-00		CAP., FXD, CER DI:0.1UF, +80-20%, 50V	04222	DG015E104Z
A6C815	283-0421-00		CAP., FXD, CER DI:0.1UF, +80-20%, 50V	04222	DG015E104Z
A6C820	283-0421-00		CAP., FXD, CER DI:0.1UF, +80-20%, 50V	04222	DG015E104Z
A6C825	283-0421-00		CAP., FXD, CER DI:0.1UF, +80-20%, 50V	04222	DG015E104Z
A6C827	283-0421-00		CAP., FXD, CER DI:0.1UF, +80-20%, 50V	04222	DG015E104Z
A6C835	283-0421-00		CAP., FXD, CER DI:0.1UF, +80-20%, 50V	04222	DG015E104Z
A6C840	283-0421-00		CAP., FXD, CER DI:0.1UF, +80-20%, 50V	04222	DG015E104Z
A6C845	283-0421-00		CAP., FXD, CER DI:0.1UF, +80-20%, 50V	04222	DG015E104Z
A6C860	283-0421-00		CAP., FXD, CER DI:0.1UF, +80-20%, 50V	04222	DG015E104Z
A6C865	283-0421-00		CAP., FXD, CER DI:0.1UF, +80-20%, 50V	04222	DG015E104Z
A6C870	283-0421-00		CAP., FXD, CER DI:0.1UF, +80-20%, 50V	04222	DG015E104Z
A6C875	283-0421-00		CAP., FXD, CER DI:0.1UF, +80-20%, 50V	04222	DG015E104Z
A6C880	283-0421-00		CAP., FXD, CER DI:0.1UF, +80-20%, 50V	04222	DG015E104Z
A6C885	283-0421-00		CAP., FXD, CER DI:0.1UF, +80-20%, 50V	04222	DG015E104Z
A6C887	283-0421-00		CAP., FXD, CER DI:0.1UF, +80-20%, 50V	04222	DG015E104Z
A6C890	283-0421-00		CAP., FXD, CER DI:0.1UF, +80-20%, 50V	04222	DG015E104Z
A6C895	283-0421-00		CAP., FXD, CER DI:0.1UF, +80-20%, 50V	04222	DG015E104Z
A6DS15	150-1001-01		LAMP, LED:RED, 2V, 100MA	80009	150-1001-01
A6J101	131-1717-01		CONN, RCPT, ELEC:CKT BD, 2 X 42, FEMALE	00779	3-86018-4
A6J141	131-1857-00		TERM. SET, PIN:36/0.025 SQ PIN, ON 0.1 CTRS	22526	65500136
A6J142	131-1857-00		TERM. SET, PIN:36/0.025 SQ PIN, ON 0.1 CTRS	22526	65500136
A6J143	131-1857-00		TERM. SET, PIN:36/0.025 SQ PIN, ON 0.1 CTRS	22526	65500136
A6J144	131-1857-00		TERM. SET, PIN:36/0.025 SQ PIN, ON 0.1 CTRS	22526	65500136
A6J145	131-1857-00		TERM. SET, PIN:36/0.025 SQ PIN, ON 0.1 CTRS	22526	65500136
A6J146	131-1857-00		TERM. SET, PIN:36/0.025 SQ PIN, ON 0.1 CTRS	22526	65500136
A6J147	131-1857-00		TERM. SET, PIN:36/0.025 SQ PIN, ON 0.1 CTRS	22526	65500136
A6J154	131-1465-00		CONNECTOR, RCPT, :34 RT ANGEL CONT	20999	3431-1002
A6J155	131-1465-00		CONNECTOR, RCPT, :34 RT ANGEL CONT	20999	3431-1002
A6J220	131-1857-00		TERM. SET, PIN:36/0.025 SQ PIN, ON 0.1 CTRS	22526	65500136
A6J239	131-1857-00		TERM. SET, PIN:36/0.025 SQ PIN, ON 0.1 CTRS	22526	65500136
A6J249	131-1857-00		TERM. SET, PIN:36/0.025 SQ PIN, ON 0.1 CTRS	22526	65500136
A6J295	131-1857-00		TERM. SET, PIN:36/0.025 SQ PIN, ON 0.1 CTRS	22526	65500136
A6J345	131-1857-00		TERM. SET, PIN:36/0.025 SQ PIN, ON 0.1 CTRS	22526	65500136
A6R109	315-0161-00		RES., FXD, CMPSN:160 OHM, 5%, 0.25W	01121	CB1615
A6R119	315-0100-00		RES., FXD, CMPSN:10 OHM, 5%, 0.25W	01121	CB1005
A6R134	315-0100-00		RES., FXD, CMPSN:10 OHM, 5%, 0.25W	01121	CB1005
A6R144	315-0100-00		RES., FXD, CMPSN:10 OHM, 5%, 0.25W	01121	CB1005
A6R149	315-0103-00		RES., FXD, CMPSN:10K OHM, 5%, 0.25W	01121	CB1035
A6R208	315-0100-00		RES., FXD, CMPSN:10 OHM, 5%, 0.25W	01121	CB1005
A6R209	315-0103-00		RES., FXD, CMPSN:10K OHM, 5%, 0.25W	01121	CB1035
A6R219	315-0100-00		RES., FXD, CMPSN:10 OHM, 5%, 0.25W	01121	CB1005

REPLACEABLE ELECTRICAL PARTS

MEMORY ACCESS SEQUENCER (CONT)

Component No.	Tektronix Part No.	Serial/Model No. Eff Dscont	Name & Description	Mfr Code	Mfr Part Number
A6R239	315-0103-00		RES., FXD, CMPSN: 10K OHM, 5%, 0.25W	01121	CB1035
A6R244	315-0103-00		RES., FXD, CMPSN: 10K OHM, 5%, 0.25W	01121	CB1035
A6R249	315-0100-00		RES., FXD, CMPSN: 10 OHM, 5%, 0.25W	01121	CB1005
A6R324	315-0102-00		RES., FXD, CMPSN: 1K OHM, 5%, 0.25W	01121	CB1025
A6R334	315-0102-00		RES., FXD, CMPSN: 1K OHM, 5%, 0.25W	01121	CB1025
A6R345	315-0103-00		RES., FXD, CMPSN: 10K OHM, 5%, 0.25W	01121	CB1035
A5R369	315-0200-00		RES., FXD, CMPSN: 20 OHM, 5%, 0.25W	01121	CB2005
A6R394	315-0100-00		RES., FXD, CMPSN: 10 OHM, 5%, 0.25W	01121	CB1005
A6R419	315-0202-00		RES., FXD, CMPSN: 2K OHM, 5%, 0.25W	01121	CB2025
A6R464	315-0202-00		RES., FXD, CMPSN: 2K OHM, 5%, 0.25W	01121	CB2025
A6R481	315-0390-00		RES., FXD, CMPSN: 39 OHM, 5%, 0.25W	01121	CB3905
A6R483	315-0390-00		RES., FXD, CMPSN: 39 OHM, 5%, 0.25W	01121	CB3905
A6R486	315-0390-00		RES., FXD, CMPSN: 39 OHM, 5%, 0.25W	01121	CB3905
A6R488	315-0620-00		RES., FXD, CMPSN: 62 OHM, 5%, 0.25W	01121	CB6205
A6R491	315-0390-00		RES., FXD, CMPSN: 39 OHM, 5%, 0.25W	01121	CB3905
A6R493	315-0390-00		RES., FXD, CMPSN: 39 OHM, 5%, 0.25W	01121	CB3905
A6R494	315-0390-00		RES., FXD, CMPSN: 39 OHM, 5%, 0.25W	01121	CB3905
A6R495	315-0390-00		RES., FXD, CMPSN: 39 OHM, 5%, 0.25W	01121	CB3905
A6R496	315-0390-00		RES., FXD, CMPSN: 39 OHM, 5%, 0.25W	01121	CB3905
A6R497	315-0390-00		RES., FXD, CMPSN: 39 OHM, 5%, 0.25W	01121	CB3905
A6R498	315-0390-00		RES., FXD, CMPSN: 39 OHM, 5%, 0.25W	01121	CB3905
A6R499	315-0390-00		RES., FXD, CMPSN: 39 OHM, 5%, 0.25W	01121	CB3905
A6R509	315-0131-00		RES., FXD, CMPSN: 130 OHM, 5%, 0.25W	01121	CB1315
A6R513	315-0131-00		RES., FXD, CMPSN: 130 OHM, 5%, 0.25W	01121	CB1315
A6R515	315-0131-00		RES., FXD, CMPSN: 130 OHM, 5%, 0.25W	01121	CB1315
A6R519	315-0131-00		RES., FXD, CMPSN: 130 OHM, 5%, 0.25W	01121	CB1315
A6R521	315-0131-00		RES., FXD, CMPSN: 130 OHM, 5%, 0.25W	01121	CB1315
A6R523	315-0131-00		RES., FXD, CMPSN: 130 OHM, 5%, 0.25W	01121	CB1315
A6R529	315-0131-00		RES., FXD, CMPSN: 130 OHM, 5%, 0.25W	01121	CB1315
A6R531	315-0131-00		RES., FXD, CMPSN: 130 OHM, 5%, 0.25W	01121	CB1315
A6R533	315-0131-00		RES., FXD, CMPSN: 130 OHM, 5%, 0.25W	01121	CB1315
A6R535	315-0131-00		RES., FXD, CMPSN: 130 OHM, 5%, 0.25W	01121	CB1315
A6R537	315-0131-00		RES., FXD, CMPSN: 130 OHM, 5%, 0.25W	01121	CB1315
A6R541	315-0131-00		RES., FXD, CMPSN: 130 OHM, 5%, 0.25W	01121	CB1315
A6R543	315-0131-00		RES., FXD, CMPSN: 130 OHM, 5%, 0.25W	01121	CB1315
A6R565	315-0131-00		RES., FXD, CMPSN: 130 OHM, 5%, 0.25W	01121	CB1315
A6R570	315-0131-00		RES., FXD, CMPSN: 130 OHM, 5%, 0.25W	01121	CB1315
A6R571	315-0131-00		RES., FXD, CMPSN: 130 OHM, 5%, 0.25W	01121	CB1315
A6R572	315-0131-00		RES., FXD, CMPSN: 130 OHM, 5%, 0.25W	01121	CB1315
A6R573	315-0131-00		RES., FXD, CMPSN: 130 OHM, 5%, 0.25W	01121	CB1315
A6R574	315-0131-00		RES., FXD, CMPSN: 130 OHM, 5%, 0.25W	01121	CB1315
A6R575	315-0131-00		RES., FXD, CMPSN: 130 OHM, 5%, 0.25W	01121	CB1315
A6R576	315-0390-00		RES., FXD, CMPSN: 39 OHM, 5%, 0.25W	01121	CB3905
A6R577	315-0390-00		RES., FXD, CMPSN: 39 OHM, 5%, 0.25W	01121	CB3905
A6R578	315-0131-00		RES., FXD, CMPSN: 130 OHM, 5%, 0.25W	01121	CB1315
A6R579	315-0390-00		RES., FXD, CMPSN: 39 OHM, 5%, 0.25W	01121	CB3905
A6R580	315-0390-00		RES., FXD, CMPSN: 39 OHM, 5%, 0.25W	01121	CB3905
A6R581	315-0390-00		RES., FXD, CMPSN: 39 OHM, 5%, 0.25W	01121	CB3905
A6R582	315-0390-00		RES., FXD, CMPSN: 39 OHM, 5%, 0.25W	01121	CB3905
A6R583	315-0390-00		RES., FXD, CMPSN: 39 OHM, 5%, 0.25W	01121	CB3905
A6R584	315-0131-00		RES., FXD, CMPSN: 130 OHM, 5%, 0.25W	01121	CB1315
A6R585	315-0620-00		RES., FXD, CMPSN: 62 OHM, 5%, 0.25W	01121	CB6205
A6R586	315-0131-00		RES., FXD, CMPSN: 130 OHM, 5%, 0.25W	01121	CB1315
A6R587	315-0220-00		RES., FXD, CMPSN: 22 OHM, 5%, 0.25W	01121	CB2205
A6R588	315-0180-00		RES., FXD, CMPSN: 18 OHM, 5%, 0.25W	01121	CB1805
A6R589	315-0390-00		RES., FXD, CMPSN: 39 OHM, 5%, 0.25W	01121	CB3905
A6R590	315-0220-00		RES., FXD, CMPSN: 22 OHM, 5%, 0.25W	01121	CB2205

REPLACEABLE ELECTRICAL PARTS

MEMORY ACCESS SEQUENCER (CONT)

Component No.	Tektronix Part No.	Serial/Model No. Eff Dscont	Name & Description	Mfr Code	Mfr Part Number
A6R591	315-0131-00		RES., FXD, CMPSN:130 OHM, 5%, 0.25W	01121	CB1315
A6R592	315-0200-00		RES., FXD, CMPSN:20 OHM, 5%, 0.25W	01121	CB2005
A6R593	315-0390-00		RES., FXD, CMPSN:39 OHM, 5%, 0.25W	01121	CB3905
A6R594	315-0220-00		RES., FXD, CMPSN:22 OHM, 5%, 0.25W	01121	CB2205
A6R595	315-0270-00		RES., FXD, CMPSN:27 OHM, 5%, 0.25W	01121	CB2705
A6R596	315-0220-00		RES., FXD, CMPSN:22 OHM, 5%, 0.25W	01121	CB2205
A6R597	315-0131-00		RES., FXD, CMPSN:130 OHM, 5%, 0.25W	01121	CB1315
A6R598	315-0200-00		RES., FXD, CMPSN:20 OHM, 5%, 0.25W	01121	CB2005
A6R599	315-0131-00		RES., FXD, CMPSN:130 OHM, 5%, 0.25W	01121	CB1315
A6R646	315-0300-00		RES., FXD, CMPSN:30 OHM, 5%, 0.25W	01121	CB3005
A6R647	315-0300-00		RES., FXD, CMPSN:30 OHM, 5%, 0.25W	01121	CB3005
A6R648	315-0470-00		RES., FXD, CMPSN:47 OHM, 5%, 0.25W	01121	CB4705
A6R649	315-0750-00		RES., FXD, CMPSN:75 OHM, 5%, 0.25W	01121	CB7505
A6R650	315-0750-00		RES., FXD, CMPSN:75 OHM, 5%, 0.25W	01121	CB7505
A6R651	315-0750-00		RES., FXD, CMPSN:75 OHM, 5%, 0.25W	01121	CB7505
A6R652	315-0750-00		RES., FXD, CMPSN:75 OHM, 5%, 0.25W	01121	CB7505
A6R653	315-0750-00		RES., FXD, CMPSN:75 OHM, 5%, 0.25W	01121	CB7505
A6R654	315-0750-00		RES., FXD, CMPSN:75 OHM, 5%, 0.25W	01121	CB7505
A6R655	315-0750-00		RES., FXD, CMPSN:75 OHM, 5%, 0.25W	01121	CB7505
A6R656	315-0300-00		RES., FXD, CMPSN:30 OHM, 5%, 0.25W	01121	CB3005
A6R657	315-0300-00		RES., FXD, CMPSN:30 OHM, 5%, 0.25W	01121	CB3005
A6R658	315-0750-00		RES., FXD, CMPSN:75 OHM, 5%, 0.25W	01121	CB7505
A6R659	315-0470-00		RES., FXD, CMPSN:47 OHM, 5%, 0.25W	01121	CB4705
A6R660	315-0750-00		RES., FXD, CMPSN:75 OHM, 5%, 0.25W	01121	CB7505
A6R661	315-0750-00		RES., FXD, CMPSN:75 OHM, 5%, 0.25W	01121	CB7505
A6R662	315-0750-00		RES., FXD, CMPSN:75 OHM, 5%, 0.25W	01121	CB7505
A6R663	315-0750-00		RES., FXD, CMPSN:75 OHM, 5%, 0.25W	01121	CB7505
A6R664	315-0750-00		RES., FXD, CMPSN:75 OHM, 5%, 0.25W	01121	CB7505
A6R665	315-0750-00		RES., FXD, CMPSN:75 OHM, 5%, 0.25W	01121	CB7505
A6R746	315-0470-00		RES., FXD, CMPSN:47 OHM, 5%, 0.25W	01121	CB4705
A6R759	315-0470-00		RES., FXD, CMPSN:47 OHM, 5%, 0.25W	01121	CB4705
A6R798	315-0681-00		RES., FXD, CMPSN:680 OHM, 5%, 0.25W	01121	CB6815
A6R805	315-0131-00		RES., FXD, CMPSN:130 OHM, 5%, 0.25W	01121	CB1315
A6R846	315-0201-00		RES., FXD, CMPSN:200 OHM, 5%, 0.25W	01121	CB2015
A6R847	315-0201-00		RES., FXD, CMPSN:200 OHM, 5%, 0.25W	01121	CB2015
A6R848	315-0201-00		RES., FXD, CMPSN:200 OHM, 5%, 0.25W	01121	CB2015
A6R849	315-0201-00		RES., FXD, CMPSN:200 OHM, 5%, 0.25W	01121	CB2015
A6R850	315-0201-00		RES., FXD, CMPSN:200 OHM, 5%, 0.25W	01121	CB2015
A6R851	315-0201-00		RES., FXD, CMPSN:200 OHM, 5%, 0.25W	01121	CB2015
A6R852	315-0201-00		RES., FXD, CMPSN:200 OHM, 5%, 0.25W	01121	CB2015
A6R853	315-0201-00		RES., FXD, CMPSN:200 OHM, 5%, 0.25W	01121	CB2015
A6R854	315-0201-00		RES., FXD, CMPSN:200 OHM, 5%, 0.25W	01121	CB2015
A6R855	315-0201-00		RES., FXD, CMPSN:200 OHM, 5%, 0.25W	01121	CB2015
A6R856	315-0201-00		RES., FXD, CMPSN:200 OHM, 5%, 0.25W	01121	CB2015
A6R857	315-0201-00		RES., FXD, CMPSN:200 OHM, 5%, 0.25W	01121	CB2015
A6R858	315-0201-00		RES., FXD, CMPSN:200 OHM, 5%, 0.25W	01121	CB2015
A6R859	315-0201-00		RES., FXD, CMPSN:200 OHM, 5%, 0.25W	01121	CB2015
A6R860	315-0201-00		RES., FXD, CMPSN:200 OHM, 5%, 0.25W	01121	CB2015
A6R861	315-0201-00		RES., FXD, CMPSN:200 OHM, 5%, 0.25W	01121	CB2015
A6R862	315-0201-00		RES., FXD, CMPSN:200 OHM, 5%, 0.25W	01121	CB2015
A6R863	315-0201-00		RES., FXD, CMPSN:200 OHM, 5%, 0.25W	01121	CB2015
A6R864	315-0201-00		RES., FXD, CMPSN:200 OHM, 5%, 0.25W	01121	CB2015
A6R865	315-0201-00		RES., FXD, CMPSN:200 OHM, 5%, 0.25W	01121	CB2015
A6R866	315-0201-00		RES., FXD, CMPSN:200 OHM, 5%, 0.25W	01121	CB2015
A6R867	315-0201-00		RES., FXD, CMPSN:200 OHM, 5%, 0.25W	01121	CB2015
A6R868	315-0201-00		RES., FXD, CMPSN:200 OHM, 5%, 0.25W	01121	CB2015
A6R869	315-0201-00		RES., FXD, CMPSN:200 OHM, 5%, 0.25W	01121	CB2015

REPLACEABLE ELECTRICAL PARTS

MEMORY ACCESS SEQUENCER (CONT)

Component No.	Tektronix Part No.	Serial/Model No. Eff Dscont	Name & Description	Mfr Code	Mfr Part Number
A6R870	315-0201-00		RES.,FXD,CMPSN:200 OHM,5%,0.25W	01121	CB2015
A6R871	315-0201-00		RES.,FXD,CMPSN:200 OHM,5%,0.25W	01121	CB2015
A6R898	315-0131-00		RES.,FXD,CMPSN:130 OHM,5%,0.25W	01121	CB1315
A6U110	156-0118-02		MICROCIRCUIT,DI:DUAL J-K FLIP-FLOP	80009	156-0118-02
A6U115	156-0459-02		MICROCIRCUIT,DI:QUAD 2 INPUT & GATE,BURN	80009	156-0459-02
A6U120	156-0388-00		MICROCIRCUIT,DI:DUAL D-TYPE FLIP-FLOP	80009	156-0388-00
A6U125	156-0323-02		MICROCIRCUIT,DI:HEX INVERTER,BURN-IN	80009	156-0323-02
A6U130	156-0739-00		MICROCIRCUIT,DI:QUADR 2-INPUT POS OR GATE	01295	SN74S32N
A6U135	156-0180-00		MICROCIRCUIT,DI:QUAD 2-INPUT NAND GATE	01295	SN74S00N
A6U140	156-0472-02		MICROCIRCUIT,DI:TRIPLE 3 INP NAND GATE	80009	156-0321-02
A6U145	156-0323-02		MICROCIRCUIT,DI:HEX INVERTER,BURN-IN	80009	156-0323-02
A6U150	156-0180-00		MICROCIRCUIT,DI:QUAD 2-INPUT NAND GATE	01295	SN74S00N
A6U160	156-0982-00		MICROCIRCUIT,DI:OCTAL D EDGE TRIG F-F	80009	156-0982-00
A6U165	156-1111-02		MICROCIRCUIT,DI:OCTAL BUS TRANSCEIVERS W/3	80009	156-1111-02
A6U170	156-1111-02		MICROCIRCUIT,DI:OCTAL BUS TRANSCEIVERS W/3	80009	156-1111-02
A6U175	156-0472-00		MICROCIRCUIT,DI:13-INPUT NAND GATE	01295	SN74S133N
A6U180	156-1046-02		MICROCIRCUIT,DI:OCTAL D-TYPE EDGE TRIG FF	80009	156-1046-02
A6U185	156-1111-02		MICROCIRCUIT,DI:OCTAL BUS TRANSCEIVERS W/3	80009	156-1111-02
A6U190	156-1046-02		MICROCIRCUIT,DI:OCTAL D-TYPE EDGE TRIG FF	80009	156-1046-02
A6U195	156-1111-02		MICROCIRCUIT,DI:OCTAL BUS TRANSCEIVERS W/3	80009	156-1111-02
A6U210	156-0459-02		MICROCIRCUIT,DI:QUAD 2 INPUT & GATE,BURN	80009	156-0459-02
A6U215	156-1172-01		MICROCIRCUIT,DI:DUAL 4 BIT CNTR,BURN IN	80009	156-1172-01
A6U220	156-0331-00		MICROCIRCUIT,DI:DUAL D-TYPE,FLIP-FLOP	80009	156-0331-00
A6U225	156-0948-02		MICROCIRCUIT,DI:QUAD D F-F,BURN-IN	80009	156-0948-02
A6U230	156-0690-03		MICROCIRCUIT,DI:QUAD 2 INP NOR GATE,BURN IN	80009	156-0690-03
A6U235	156-0321-02		MICROCIRCUIT,DI:TRIPLE 3 INP NAND GATE	80009	156-0321-02
A6U240	156-0180-00		MICROCIRCUIT,DI:QUAD 2-INPUT NAND GATE	01295	SN74S00N
A6U245	156-0739-00		MICROCIRCUIT,DI:QUADR 2-INPUT POS OR GATE	01295	SN74S32N
A6U250	160-0339-00		MICROCIRCUIT,DI:32 X 8 PROM,PROGRAMMED	80009	160-0339-00
A6U260	156-1014-00		MICROCIRCUIT,DI:9 BIT ODD/EVEN PTY GEN/CHK	80009	156-1014-00
A6U265	156-0321-02		MICROCIRCUIT,DI:TRIPLE 3 INP NAND GATE	80009	156-0321-02
A6U270	156-1111-02		MICROCIRCUIT,DI:OCTAL BUS TRANSCEIVERS W/3	80009	156-1111-02
A6U275	156-0718-03		MICROCIRCUIT,DI:TRIPLE 3-INP NOR GATE	80009	156-0718-03
A6U280	156-0966-00		MICROCIRCUIT,DI:DUAL 5-INPUT NOR GATE	80009	156-0966-00
A6U285	156-1014-00		MICROCIRCUIT,DI:9 BIT ODD/EVEN PTY GEN/CHK	80009	156-1014-00
A6U290	156-0916-02		MICROCIRCUIT,DI:8-2 INP 3-STATE BFR,BURN	80009	156-0916-02
A6U295	156-1172-01		MICROCIRCUIT,DI:DUAL 4 BIT CNTR,BURN IN	80009	156-1172-01
A6U310	156-0118-02		MICROCIRCUIT,DI:DUAL J-K FLIP-FLOP	80009	156-0118-02
A6U315	156-0118-02		MICROCIRCUIT,DI:DUAL J-K FLIP-FLOP	80009	156-0118-02
A6U320	156-0118-02		MICROCIRCUIT,DI:DUAL J-K FLIP-FLOP	80009	156-0118-02
A6U325	156-0180-00		MICROCIRCUIT,DI:QUAD 2-INPUT NAND GATE	01295	SN74S00N
A6U330	156-0180-00		MICROCIRCUIT,DI:QUAD 2-INPUT NAND GATE	01295	SN74S00N
A6U335	156-0118-02		MICROCIRCUIT,DI:DUAL J-K FLIP-FLOP	80009	156-0118-02
A6U340	156-0180-00		MICROCIRCUIT,DI:QUAD 2-INPUT NAND GATE	01295	SN74S00N
A6U345	156-0459-02		MICROCIRCUIT,DI:QUAD 2 INPUT & GATE,BURN	80009	156-0459-02
A6U360	156-0690-03		MICROCIRCUIT,DI:QUAD 2 INP NOR GATE,BURN IN	80009	156-0690-03
A6U365	156-0323-02		MICROCIRCUIT,DI:HEX INVERTER,BURN-IN	80009	156-0323-02
A6U370	156-0304-02		MICROCIRCUIT,DI:DUAL 4 INP NAND GATE	80009	156-0304-02
A6U375	156-0180-00		MICROCIRCUIT,DI:QUAD 2-INPUT NAND GATE	01295	SN74S00N
A6U380	156-0331-00		MICROCIRCUIT,DI:DUAL D-TYPE,FLIP-FLOP	80009	156-0331-00
A6U385	156-1292-00		MICROCIRCUIT,DI:4 BIT BINARY ADDER	80009	156-1292-00
A6U390	156-1292-00		MICROCIRCUIT,DI:4 BIT BINARY ADDER	80009	156-1292-00
A6U395	156-1111-02		MICROCIRCUIT,DI:OCTAL BUS TRANSCEIVERS W/3	80009	156-1111-02
A6U410	156-0304-02		MICROCIRCUIT,DI:DUAL 4 INP NAND GATE	80009	156-0304-02
A6U415	156-0321-02		MICROCIRCUIT,DI:TRIPLE 3 INP NAND GATE	80009	156-0321-02
A6U420	156-0694-00		MICROCIRCUIT,DI:DECODER/DEMULTIPLER	34335	SN74S138N
A6U430	156-1058-01		MICROCIRCUIT,DI:OCTAL ST BUFFER W/3 STATE	80009	156-1058-01

REPLACEABLE ELECTRICAL PARTS

MEMORY ACCESS SEQUENCER (CONT)

Component No.	Tektronix Part No.	Serial/Model No. Eff Dscont	Name & Description	Mfr Code	Mfr Part Number
A6U435	156-1058-01		MICROCIRCUIT,DI:OCTAL ST BUFFER W/3 STATE	80009	156-1058-01
A6U440	156-1216-01		MICROCIRCUIT,DI:QUAD 2 INP NAND BFR,SCRN	01295	SN74S37JP4
A6U445	156-1216-01		MICROCIRCUIT,DI:QUAD 2 INP NAND BFR,SCRN	01295	SN74S37JP4
A6U450	156-0180-00		MICROCIRCUIT,DI:QUAD 2-INPUT NAND GATE	01295	SN74S00N
A6U460	156-1058-01		MICROCIRCUIT,DI:OCTAL ST BUFFER W/3 STATE	80009	156-1058-01
A6U465	156-1058-01		MICROCIRCUIT,DI:OCTAL ST BUFFER W/3 STATE	80009	156-1058-01
A6U470	156-0694-00		MICROCIRCUIT,DI:DECODER/DEMULTIPLEXER	34335	SN74S138N
A6U475	156-1292-00		MICROCIRCUIT,DI:4 BIT BINARY ADDER	80009	156-1292-00
A6U480	156-1292-00		MICROCIRCUIT,DI:4 BIT BINARY ADDER	80009	156-1292-00
A6U485	156-0916-02		MICROCIRCUIT,DI:8-2 INP 3-STATE BFR,BURN	80009	156-0916-02
A6U490	156-0916-02		MICROCIRCUIT,DI:8-2 INP 3-STATE BFR,BURN	80009	156-0916-02
A6U495	156-1111-02		MICROCIRCUIT,DI:OCTAL BUS TRANSCEIVERS W/3	80009	156-1111-02
A6U610	156-0968-02		MICROCIRCUIT,DI:16384 X 1 DYNAMIC RAM (OPTION 24 ONLY)	80009	156-0968-02
A6U613	156-0968-02		MICROCIRCUIT,DI:16384 X 1 DYNAMIC RAM (OPTION 24 ONLY)	80009	156-0968-02
A6U615	156-0968-02		MICROCIRCUIT,DI:16384 X 1 DYNAMIC RAM (OPTION 24 ONLY)	80009	156-0968-02
A6U620	156-0968-02		MICROCIRCUIT,DI:16384 X 1 DYNAMIC RAM (OPTION 24 ONLY)	80009	156-0968-02
A6U625	156-0968-02		MICROCIRCUIT,DI:16384 X 1 DYNAMIC RAM (OPTION 24 ONLY)	80009	156-0968-02
A6U630	156-0968-02		MICROCIRCUIT,DI:16384 X 1 DYNAMIC RAM (OPTION 24 ONLY)	80009	156-0968-02
A6U635	156-0968-02		MICROCIRCUIT,DI:16384 X 1 DYNAMIC RAM (OPTION 24 ONLY)	80009	156-0968-02
A6U640	156-0968-02		MICROCIRCUIT,DI:16384 X 1 DYNAMIC RAM (OPTION 24 ONLY)	80009	156-0968-02
A6U645	156-0968-02		MICROCIRCUIT,DI:16384 X 1 DYNAMIC RAM (OPTION 24 ONLY)	80009	156-0968-02
A6U660	156-0968-02		MICROCIRCUIT,DI:16384 X 1 DYNAMIC RAM (OPTION 24 ONLY)	80009	156-0968-02
A6U665	156-0968-02		MICROCIRCUIT,DI:16384 X 1 DYNAMIC RAM (OPTION 24 ONLY)	80009	156-0968-02
A6U670	156-0968-02		MICROCIRCUIT,DI:16384 X 1 DYNAMIC RAM (OPTION 24 ONLY)	80009	156-0968-02
A6U675	156-0968-02		MICROCIRCUIT,DI:16384 X 1 DYNAMIC RAM (OPTION 24 ONLY)	80009	156-0968-02
A6U680	156-0968-02		MICROCIRCUIT,DI:16384 X 1 DYNAMIC RAM (OPTION 24 ONLY)	80009	156-0968-02
A6U685	156-0968-02		MICROCIRCUIT,DI:16384 X 1 DYNAMIC RAM (OPTION 24 ONLY)	80009	156-0968-02
A6U687	156-0968-02		MICROCIRCUIT,DI:16384 X 1 DYNAMIC RAM (OPTION 24 ONLY)	80009	156-0968-02
A6U690	156-0968-02		MICROCIRCUIT,DI:16384 X 1 DYNAMIC RAM (OPTION 24 ONLY)	80009	156-0968-02
A6U695	156-0968-02		MICROCIRCUIT,DI:16384 X 1 DYNAMIC RAM (OPTION 24 ONLY)	80009	156-0968-02
A6U710	156-0968-02		MICROCIRCUIT,DI:16384 X 1 DYNAMIC RAM	80009	156-0968-02
A6U713	156-0968-02		MICROCIRCUIT,DI:16384 X 1 DYNAMIC RAM	80009	156-0968-02
A6U715	156-0968-02		MICROCIRCUIT,DI:16384 X 1 DYNAMIC RAM	80009	156-0968-02
A6U720	156-0968-02		MICROCIRCUIT,DI:16384 X 1 DYNAMIC RAM	80009	156-0968-02
A6U725	156-0968-02		MICROCIRCUIT,DI:16384 X 1 DYNAMIC RAM	80009	156-0968-02
A6U730	156-0968-02		MICROCIRCUIT,DI:16384 X 1 DYNAMIC RAM	80009	156-0968-02
A6U735	156-0968-02		MICROCIRCUIT,DI:16384 X 1 DYNAMIC RAM	80009	156-0968-02
A6U740	156-0968-02		MICROCIRCUIT,DI:16384 X 1 DYNAMIC RAM	80009	156-0968-02
A6U745	156-0968-02		MICROCIRCUIT,DI:16384 X 1 DYNAMIC RAM	80009	156-0968-02

REPLACEABLE ELECTRICAL PARTS

MEMORY ACCESS SEQUENCER (CONT)

Component No.	Tektronix Part No.	Serial/Model No. Eff Dscont	Name & Description	Mfr Code	Mfr Part Number
A6U760	156-0968-02		MICROCIRCUIT,DI:16384 X 1 DYNAMIC RAM	80009	156-0968-02
A6U765	156-0968-02		MICROCIRCUIT,DI:16384 X 1 DYNAMIC RAM	80009	156-0968-02
A6U770	156-0968-02		MICROCIRCUIT,DI:16384 X 1 DYNAMIC RAM	80009	156-0968-02
A6U775	156-0968-02		MICROCIRCUIT,DI:16384 X 1 DYNAMIC RAM	80009	156-0968-02
A6U780	156-0968-02		MICROCIRCUIT,DI:16384 X 1 DYNAMIC RAM	80009	156-0968-02
A6U785	156-0968-02		MICROCIRCUIT,DI:16384 X 1 DYNAMIC RAM	80009	156-0968-02
A6U787	156-0968-02		MICROCIRCUIT,DI:16384 X 1 DYNAMIC RAM	80009	156-0968-02
A6U790	156-0968-02		MICROCIRCUIT,DI:16384 X 1 DYNAMIC RAM	80009	156-0968-02
A6U795	156-0968-02		MICROCIRCUIT,DI:16384 X 1 DYNAMIC RAM	80009	156-0968-02
A6U805	160-0340-01		MICROCIRCUIT,DI:256 X 8 PROM,PROGRAMMED	80009	160-0340-01
A6U810	160-0260-01		MICROCIRCUIT,DI:8192 X 8 ROM	80009	160-0260-01
A6U820	160-0261-01		MICROCIRCUIT,DI:8192 X 8 ROM	80009	160-0261-01
A6U825	160-0262-01		MICROCIRCUIT,DI:8192 X 8 ROM	80009	160-0262-01
A6U835	160-0263-02		MICROCIRCUIT,DI:8192 X 8 ROM,PROGRAMMED	80009	160-0263-02
A6U845	160-0379-01		MICROCIRCUIT,DI:FPLA W/3 STATE OUT,PRGM	80009	160-0379-01
A6U863	160-0380-01		MICROCIRCUIT,DI:FPLA W/3 STATE OUT,PRGM	80009	160-0380-01
A6U870	160-0264-01		MICROCIRCUIT,DI:8192 X 8 ROM	80009	160-0264-01
A6U880	160-0265-01		MICROCIRCUIT,DI:8192 X 8 ROM	80009	160-0265-01
A6U885	160-0266-00		MICROCIRCUIT,DI:8192 X 8 ROM	80009	160-0266-00
A6U893	160-0267-01		MICROCIRCUIT,DI:8192 X 8 ROM	80009	160-0267-00
A6U897	160-0341-01		ICROCIRCUIT,DI:256 X 8 PROM,PROGRAMMED	80009	160-0341-01
A6VR799	152-0195-00		SEMICOND DEVICE:ZENER,0.4W,5.1V,5%	80009	152-0195-00

REPLACEABLE ELECTRICAL PARTS

Component No.	Tektronix Part No.	Serial/Model No. Eff Dscont	Name & Description	Mfr Code	Mfr Part Number
A7 INPUT/OUTPUT					
A7	670-5666-00		CKT BOARD ASSY:INPUT/OUTPUT	80009	670-5666-00
A7C20	283-0010-00		CAP.,FXD,CER DI:0.05UF,+100-20%,50V	56289	273C20
A7C50	290-0746-00		CAP.,FXD,ELCTLT:47UF,+50-10%,16V	56289	502D226
A7C55	283-0010-00		CAP.,FXD,CER DI:0.05UF,+100-20%,50V	56289	273C20
A7C65	290-0745-00		CAP.,FXD,ELCTLT:22UF,+50-10%,25V	56289	502D225
A7C75	283-0204-00		CAP.,FXD,CER DI:0.01UF,20%,50V	72982	8121N061Z5U0103M
A7C110	285-0643-00		CAP.,FXD,PLSTC:0.0047UF,5%,100V	56289	410P374
A7C120	283-0010-00		CAP.,FXD,CER DI:0.05UF,+100-20%,50V	56289	273C20
A7C135	283-0010-00		CAP.,FXD,CER DI:0.05UF,+100-20%,50V	56289	273C20
A7C160	283-0010-00		CAP.,FXD,CER DI:0.05UF,+100-20%,50V	56289	273C20
A7C161	283-0190-00		CAP.,FXD,CER DI:0.47UF,5%,50V	72982	8141N077X7R0474J
A7C165	290-0745-00		CAP.,FXD,ELCTLT:22UF,+50-10%,25V	56289	502D225
A7C177	290-0745-00		CAP.,FXD,ELCTLT:22UF,+50-10%,25V	56289	502D225
A7C205	281-0767-00		CAP.,FXD,CER DI:330PF,20%,100V	12969	CGB331MEX
A7C215	285-1067-00		CAP.,FXD,PLSTC:0.5UF,1%,200V	14752	230B1C504F
A7C220	283-0010-00		CAP.,FXD,CER DI:0.05UF,+100-20%,50V	56289	273C20
A7C235	283-0010-00		CAP.,FXD,CER DI:0.05UF,+100-20%,50V	56289	273C20
A7C255	283-0010-00		CAP.,FXD,CER DI:0.05UF,+100-20%,50V	56289	273C20
A7C260	283-0010-00		CAP.,FXD,CER DI:0.05UF,+100-20%,50V	56289	273C20
A7C262	283-0177-00		CAP.,FXD,CER DI:1UF,+80-20%,25V	56289	273C5
A7C265	290-0745-00		CAP.,FXD,ELCTLT:22UF,+50-10%,25V	56289	502D225
A7C280	290-0745-00		CAP.,FXD,ELCTLT:22UF,+50-10%,25V	56289	502D225
A7C282	290-0745-00		CAP.,FXD,ELCTLT:22UF,+50-10%,25V	56289	502D225
A7C310	283-0010-00		CAP.,FXD,CER DI:0.05UF,+100-20%,50V	56289	273C20
A7C320	283-0010-00		CAP.,FXD,CER DI:0.05UF,+100-20%,50V	56289	273C20
A7C335	283-0010-00		CAP.,FXD,CER DI:0.05UF,+100-20%,50V	56289	273C20
A7C350	283-0010-00		CAP.,FXD,CER DI:0.05UF,+100-20%,50V	56289	273C20
A7C360	283-0010-00		CAP.,FXD,CER DI:0.05UF,+100-20%,50V	56289	273C20
A7C410	283-0010-00		CAP.,FXD,CER DI:0.05UF,+100-20%,50V	56289	273C20
A7C435	290-0534-00		CAP.,FXD,ELCTLT:1UF,20%,35V	56289	196D105X0035HA1
A7C450	283-0010-00		CAP.,FXD,CER DI:0.05UF,+100-20%,50V	56289	273C20
A7C460	283-0010-00		CAP.,FXD,CER DI:0.05UF,+100-20%,50V	56289	273C20
A7C505	290-0746-00		CAP.,FXD,ELCTLT:47UF,+50-10%,16V	56289	502D226
A7CR65	152-0066-00		SEMICONV DEVICE:SILICON,400V,750MA	14433	LG4016
A7CR76	152-0141-02		SEMICONV DEVICE:SILICON,30V,50NA	01295	1N4152R
A7CR160	152-0066-00		SEMICONV DEVICE:SILICON,400V,750MA	14433	LG4016
A7CR161	152-0066-00		SEMICONV DEVICE:SILICON,400V,750MA	14433	LG4016
A7CR180	152-0141-02		SEMICONV DEVICE:SILICON,30V,50NA	01295	1N4152R
A7CR182	152-0066-00		SEMICONV DEVICE:SILICON,400V,750MA	14433	LG4016
A7CR260	152-0141-02		SEMICONV DEVICE:SILICON,30V,50NA	01295	1N4152R
A7F380	159-0015-00		FUSE,CARTRIDGE:3AG,3A,250V,FAST-BLOW	71400	AGC 3
A7F385	159-0015-00		FUSE,CARTRIDGE:3AG,3A,250V,FAST-BLOW	71400	AGC 3
A7J101A	131-1844-00		CONN,RCPT,ELEC:CKT CARD,2/21 CONT	00779	2-86415-4
A7J101B	131-1844-00		CONN,RCPT,ELEC:CKT CARD,2/21 CONT	00779	2-86415-4
A7J102	131-1465-00		CONNECTOR,RCPT,:34 RT ANGEL CONT	20999	3431-1002
A7J103	131-1465-00		CONNECTOR,RCPT,:34 RT ANGEL CONT	20999	3431-1002
A7J104	131-2215-01		CONN,RCPT,ELEC:CKT BD 40 CONT,MALE	75037	3495-1002
A7J106	131-1857-00		TERM. SET,PIN:36/0.025 SQ PIN,ON 0.1 CTRS	22526	65500136
A7J110	131-1857-00		TERM. SET,PIN:36/0.025 SQ PIN,ON 0.1 CTRS	22526	65500136
A7J114	131-2215-01		CONN,RCPT,ELEC:CKT BD,40 CONT,MALE	75037	3495-1002
A7J115	131-0589-00		TERM,PIN:0.46 L X 0.025 SQ.PH BRZ GL (QUANTITY OF 6)	22526	47350
A7J116	131-0589-00		TERM,PIN:0.46 L X 0.025 SQ.PH BRZ GL (QUANTITY OF 3)	22526	47350
A7J117	131-0589-00		TERM,PIN:0.46 L X 0.025 SQ.PH BRZ GL (QUANTITY OF 3)	22526	47350

REPLACEABLE ELECTRICAL PARTS

INPUT/OUTPUT (CONT)

Component No.	Tektronix Part No.	Serial/Model No. Eff Dscont	Name & Description	Mfr Code	Mfr Part Number
A7J118	131-0589-00		TERM,PIN:0.46 L X 0.025 SQ.PH BRZ GL (QUANTITY OF 3)	22526	47350
A7J119	131-2250-00		CONN,RCPT,ELEC:CKT BD,5 MALE	27264	09-61-1053
A7Q80	151-0302-00		TRANSISTOR:SILICON,NPN	07263	S038487
A7Q165	151-0302-00		TRANSISTOR:SILICON,NPN	07263	S038487
A7Q180	151-0301-00		TRANSISTOR:SILICON,PNP	04713	2N2907A
A7Q280	151-0301-00		TRANSISTOR:SILICON,PNP	04713	2N2907A
A7R10	315-0390-00		RES.,FXD,CMPSN:39 OHM,5%,0.25W	01121	CB3905
A7R20	315-0102-00		RES.,FXD,CMPSN:1K OHM,5%,0.25W	01121	CB1025
A7R40	315-0102-00		RES.,FXD,CMPSN:1K OHM,5%,0.25W	01121	CB1025
A7R50	315-0751-00		RES.,FXD,CMPSN:750 OHM,5%,0.25W	01121	CB7515
A7R52	315-0102-00		RES.,FXD,CMPSN:1K OHM,5%,0.25W	01121	CB1025
A7R66	321-0277-00		RES.,FXD,FILM:7.5K OHM,1%,0.125W	91637	MFF1816G75000F
A7R67	321-0318-02		RES.,FXD,FILM:20K OHM,0.5%,0.125W	91637	MFF1816D20001D
A7R68	315-0101-00		RES.,FXD,CMPSN:100 OHM,5%,0.25W	01121	CB1015
A7R69	321-0332-00		RES.,FXD,FILM:28K OHM,1%,0.125W	91637	MFF1816G28001F
A7R70	315-0152-00		RES.,FXD,CMPSN:1.5K OHM,5%,0.25W	01121	CB1525
A7R72	321-0197-00		RES.,FXD,FILM:1.1K OHM,1%,0.125W	91637	MFF1816G11000F
A7R74	315-0123-00		RES.,FXD,CMPSN:12K OHM,5%,0.25W	01121	CB1235
A7R75	315-0222-00		RES.,FXD,CMPSN:2.2K OHM,5%,0.25W	01121	CB2225
A7R77	315-0123-00		RES.,FXD,CMPSN:12K OHM,5%,0.25W	01121	CB1235
A7R78	315-0105-00		RES.,FXD,CMPSN:1M OHM,5%,0.25W	01121	CB1055
A7R79	308-0678-00		RES.,FXD,WW:0.1 OHM,5%,2W	75042	BWH-R1000J
A7R80	315-0103-00		RES.,FXD,CMPSN:10K OHM,5%,0.25W	01121	CB1035
A7R82	315-0105-00		RES.,FXD,CMPSN:1M OHM,5%,0.25W	01121	CB1055
A7R84	315-0102-00		RES.,FXD,CMPSN:1K OHM,5%,0.25W	01121	CB1025
A7R85	311-1223-00		RES.,VAR,NONWIR:250 OHM,10%,0.50W	32997	3386F-T04-251
A7R110	321-0329-00		RES.,FXD,FILM:26.1K OHM,1%,0.125W	91637	MFF1816G26101F
A7R120	315-0102-00		RES.,FXD,CMPSN:1K OHM,5%,0.25W	01121	CB1025
A7R130	315-0102-00		RES.,FXD,CMPSN:1K OHM,5%,0.25W	01121	CB1025
A7R150	315-0221-00		RES.,FXD,CMPSN:220 OHM,5%,0.25W	01121	CB2215
A7R162	321-0277-00		RES.,FXD,FILM:7.5K OHM,1%,0.125W	91637	MFF1816G75000F
A7R164	321-0306-00		RES.,FXD,FILM:15K OHM,1%,0.125W	91637	MFF1816G15001F
A7R166	321-0382-00		RES.,FXD,FILM:93.1K OHM,1%,0.125W	91637	MFF1816G93101F
A7R168	315-0105-00		RES.,FXD,CMPSN:1M OHM,5%,0.25W	01121	CB1055
A7R170	315-0822-00		RES.,FXD,CMPSN:8.2K OHM,5%,0.25W	01121	CB8225
A7R171	315-0682-00		RES.,FXD,CMPSN:6.8K OHM,5%,0.25W	01121	CB6825
A7R172	315-0102-00		RES.,FXD,CMPSN:1K OHM,5%,0.25W	01121	CB1025
A7R175	321-0959-03		RES.,FXD,FILM:24.01K OHM,0.25%,0.125W,T2	80009	321-0959-03
A7R176	315-0102-00		RES.,FXD,CMPSN:1K OHM,5%,0.25W	01121	CB1025
A7R178	315-0222-00		RES.,FXD,CMPSN:2.2K OHM,5%,0.25W	01121	CB2225
A7R180	308-0678-00		RES.,FXD,WW:0.1 OHM,5%,2W	75042	BWH-R1000J
A7R210	321-0412-00		RES.,FXD,FILM:191K OHM,1%,0.125W	91637	MFF1816G19102F
A7R240	315-0103-00		RES.,FXD,CMPSN:10K OHM,5%,0.25W	01121	CB1035
A7R260	315-0184-00		RES.,FXD,CMPSN:180K OHM,5%,0.25W	01121	CB1845
A7R261	315-0105-00		RES.,FXD,CMPSN:1M OHM,5%,0.25W	01121	CB1055
A7R268	315-0182-00		RES.,FXD,CMPSN:1.8K OHM,5%,0.25W	01121	CB1825
A7R270	315-0304-00		RES.,FXD,CMPSN:300K OHM,5%,0.25W	01121	CB3045
A7R272	315-0222-00		RES.,FXD,CMPSN:2.2K OHM,5%,0.25W	01121	CB2225
A7R276	315-0105-00		RES.,FXD,CMPSN:1M OHM,5%,0.25W	01121	CB1055
A7R278	315-0681-00		RES.,FXD,CMPSN:680 OHM,5%,0.25W	01121	CB6815
A7R312	315-0150-00		RES.,FXD,CMPSN:15 OHM,5%,0.25W	01121	CB1505
A7R315	315-0561-00		RES.,FXD,CMPSN:560 OHM,5%,0.25W	01121	CB5615
A7R320	315-0102-00		RES.,FXD,CMPSN:1K OHM,5%,0.25W	01121	CB1025
A7R325	315-0102-00		RES.,FXD,CMPSN:1K OHM,5%,0.25W	01121	CB1025
A7R345	315-0200-00		RES.,FXD,CMPSN:20 OHM,5%,0.25W	01121	CB2005

REPLACEABLE ELECTRICAL PARTS

INPUT/OUTPUT (CONT)

Component No.	Tektronix Part No.	Serial/Model No. Eff Dscont	Name & Description	Mfr Code	Mfr Part Number
A7R350	321-0030-02		RES.,FXD,FILM:20 OHM,0.5%,0.125W	91637	LFF18D20R00D
A7R405	315-0102-00		RES.,FXD,CMPSN:1K OHM,5%,0.25W	01121	CB1025
A7R408	315-0102-00		RES.,FXD,CMPSN:1K OHM,5%,0.25W	01121	CB1025
A7R410	315-0203-00		RES.,FXD,CMPSN:20K OHM,5%,0.25W	01121	CB2035
A7R420	315-0150-00		RES.,FXD,CMPSN:15 OHM,5%,0.25W	01121	CB1505
A7R430	315-0561-00		RES.,FXD,CMPSN:560 OHM,5%,0.25W	01121	CB5615
A7R431	315-0910-00		RES.,FXD,CMPSN:91 OHM,5%,0.25W	01121	CB9105
A7R432	315-0820-00		RES.,FXD,CMPSN:82 OHM,5%,0.25W	01121	CB8205
A7R433	315-0510-00		RES.,FXD,CMPSN:51 OHM,5%,0.25W	01121	CB5105
A7R435	315-0131-00		RES.,FXD,CMPSN:130 OHM,5%,0.25W	01121	CB1315
A7R436	315-0150-00		RES.,FXD,CMPSN:15 OHM,5%,0.25W	01121	CB1505
A7R440	315-0100-00		RES.,FXD,CMPSN:10 OHM,5%,0.25W	01121	CB1005
A7R450	315-0471-00		RES.,FXD,CMPSN:470 OHM,5%,0.25W	01121	CB4715
A7TP1	131-0608-00		TERMINAL,PIN:0.365 L X 0.25 PH,BRZ,GOLD PL	22526	47357
A7U10	156-0321-00		MICROCIRCUIT,DI:TRIPLE 3-INPUT NAND GATE	80009	156-0321-00
A7U15	156-0718-00		MICROCIRCUIT,DI:TRIPLE 3-INP POS-NOR GATES	80009	156-0718-00
A7U20	156-0323-00		MICROCIRCUIT,DI:HEX. INVERTER	01295	SN74S04N
A7U25	156-0472-00		MICROCIRCUIT,DI:13-INPUT NAND GATE	01295	SN74S133N
A7U30	156-0165-00		MICROCIRCUIT,DI:DUAL 4-INPUT POS NOR GATE	01295	SN7425N
A7U35	156-0464-00		MICROCIRCUIT,DI:DUAL 4-INPUT NAND GATE	80009	156-0464-00
A7U40	156-0313-00		MICROCIRCUIT,DI:DUAL 2-INPUT NOR PERD DR	01295	SN75454P
A7U45	156-0600-00		MICROCIRCUIT,DI:QUAD BUS XCVR	80009	156-0600-00
A7U50	156-0462-00		MICROCIRCUIT,DI:HEX SCHMITT TRIG,TTL	80009	156-0462-00
A7U55	156-0600-00		MICROCIRCUIT,DI:QUAD BUS XCVR	80009	156-0600-00
A7U60	156-0600-00		MICROCIRCUIT,DI:QUAD BUS XCVR	80009	156-0600-00
A7U80	156-0853-00		MICROCIRCUIT,LI:OPERATIONAL AMPLIFIER,DUAL	80009	156-0853-00
A7U115	156-0487-00		MICROCIRCUIT,DI:DUAL RETRIG,ONE SHOT	80009	156-0487-00
A7U120	156-1172-01		MICROCIRCUIT,DI:DUAL 4 BIT CNTR,BURN IN	80009	156-1172-01
A7U125	156-0464-00		MICROCIRCUIT,DI:DUAL 4-INPUT NAND GATE	80009	156-0464-00
A7U130	156-0323-00		MICROCIRCUIT,DI:HEX. INVERTER	01295	SN74S04N
A7U135	156-0092-00		MICROCIRCUIT,DI:HEX INV W/OPEN COLLECTOR	80009	156-0092-00
A7U140	156-0165-00		MICROCIRCUIT,DI:DUAL 4-INPUT POS NOR GATE	01295	SN7425N
A7U145	156-0480-00		MICROCIRCUIT,DI:QUAD 2-INPUT AND GATE	80009	156-0480-00
A7U150	156-0541-00		MICROCIRCUIT,DI:DECODER/DEMULPLEXER	27014	DM74LS139N
A7U155	156-0865-00		MICROCIRCUIT,DI:OCTAL D TYPE FF W/CLEAR	01295	SN74LS273 N OR J
A7U160	156-0916-00		MICROCIRCUIT,DI:EIGHT 2-INP 3-STATE BFR	80009	156-0916-00
A7U165	156-0865-00		MICROCIRCUIT,DI:OCTAL D TYPE FF W/CLEAR	01295	SN74LS273 N OR J
A7U210	156-0388-00		MICROCIRCUIT,DI:DUAL D-TYPE FLIP-FLOP	80009	156-0388-00
A7U220	156-0910-00		MICROCIRCUIT,DI:DUAL DECADE COUNTER	80009	156-0910-00
A7U225	156-0382-00		MICROCIRCUIT,DI:QUAD 2-INPUT NAND GATE	80009	156-0382-00
A7U230	156-0385-00		MICROCIRCUIT,DI:HEX.INVERTER	80009	156-0385-00
A7U235	156-0916-00		MICROCIRCUIT,DI:EIGHT 2-INP 3-STATE BFR	80009	156-0916-00
A7U240	156-0388-00		MICROCIRCUIT,DI:DUAL D-TYPE FLIP-FLOP	80009	156-0388-00
A7U245	156-0480-00		MICROCIRCUIT,DI:QUAD 2-INPUT AND GATE	80009	156-0480-00
A7U255	156-0600-00		MICROCIRCUIT,DI:QUAD BUS XCVR	80009	156-0600-00
A7U260	156-0916-00		MICROCIRCUIT,DI:EIGHT 2-INP 3-STATE BFR	80009	156-0916-00
A7U270	156-0853-00		MICROCIRCUIT,LI:OPERATIONAL AMPLIFIER,DUAL	80009	156-0853-00
A7U280	156-0853-00		MICROCIRCUIT,LI:OPERATIONAL AMPLIFIER,DUAL	80009	156-0853-00
A7U305	156-0789-00		MICROCIRCUIT,DI:8-BIT SR,PRL LOAD	80009	156-0789-00
A7U310	156-0651-00		MICROCIRCUIT,DI:8-BIT PRL-OUT,SER SHF RGTR	01295	SN74LS164N
A7U315	156-0480-00		MICROCIRCUIT,DI:QUAD 2-INPUT AND GATE	80009	156-0480-00
A7U320	156-0388-00		MICROCIRCUIT,DI:DUAL D-TYPE FLIP-FLOP	80009	156-0388-00
A7U325	156-0382-00		MICROCIRCUIT,DI:QUAD 2-INPUT NAND GATE	80009	156-0382-00
A7U330	156-0696-00		MICROCIRCUIT,DI:QUAD CMLM-OUTPUT & NAND	01295	SN4265N
A7U335	156-0093-00		MICROCIRCUIT,DI:HEX.INVERTER	80009	156-0093-00
A7U340	156-0738-00		MICROCIRCUIT,DI:QUADR HEX D TYPE FF	80009	156-0738-00
A7U345	156-0323-00		MICROCIRCUIT,DI:HEX. INVERTER	01295	SN74S04N

REPLACEABLE ELECTRICAL PARTS

INPUT/OUTPUT (CONT)

Component No.	Tektronix Part No.	Serial/Model No. Eff Dscnt	Name & Description	Mfr Code	Mfr Part Number
A7U350	156-0738-00		MICROCIRCUIT,DI:QUADR HEX D TYPE FF	80009	156-0738-00
A7U355	156-0738-00		MICROCIRCUIT,DI:QUADR HEX D TYPE FF	80009	156-0738-00
A7U360	156-0784-00		MICROCIRCUIT,DI:SYNC 4 BIT BINARY COUNTER	01295	SN74LS163AN
A7U365	156-0331-00		MICROCIRCUIT,DI:DUAL D-TYPE,FLIP-FLOP	80009	156-0331-00
A7U405	156-1205-00		MICROCIRCUIT,DI:PERIPHERAL INTFC ADAPTER	80009	156-1205-00
A7U410	156-0916-00		MICROCIRCUIT,DI:EIGHT 2-INP 3-STATE BFR	80009	156-0916-00
A7U415	156-1065-00		MICROCIRCUIT,DI:OCTAL D TYPE TRANS LATCHES	80009	156-1065-00
A7U420	156-1205-00		MICROCIRCUIT,DI:PERIPHERAL INTFC ADAPTER	80009	156-1205-00
A7U430	156-1205-00		MICROCIRCUIT,DI:PERIPHERAL INTFC ADAPTER	80009	156-1205-00
A7U435	156-0180-00		MICROCIRCUIT,DI:QUAD 2-INPUT NAND GATE	01295	SN74S00N
A7U437	156-0459-00		MICROCIRCUIT,DI:QUAD 2-INPUT AND GATE	01295	SN74S08N
A7U440	156-0541-00		MICROCIRCUIT,DI:DECODER/DEMULTIPLER	27014	DM74LS139N
A7U445	156-0916-00		MICROCIRCUIT,DI:EIGHT 2-INP 3-STATE BFR	80009	156-0916-00
A7U447	156-0331-00		MICROCIRCUIT,DI:DUAL D-TYPE,FLIP-FLOP	80009	156-0331-00
A7U450	156-0916-00		MICROCIRCUIT,DI:EIGHT 2-INP 3-STATE BFR	80009	156-0916-00
A7U453	156-0331-00		MICROCIRCUIT,DI:DUAL D-TYPE,FLIP-FLOP	80009	156-0331-00
A7U455	156-0916-00		MICROCIRCUIT,DI:EIGHT 2-INP 3-STATE BFR	80009	156-0916-00
A7U457	156-0321-00		MICROCIRCUIT,DI:TRIPLE 3-INPUT NAND GATE	80009	156-0321-00
A7U460	156-0865-00		MICROCIRCUIT,DI:OCTAL D TYPE FF W/CLEAR	01295	SN74LS273 N OR J
A7U463	156-0331-00		MICROCIRCUIT,DI:DUAL D-TYPE,FLIP-FLOP	80009	156-0331-00
A7U465	156-0865-00		MICROCIRCUIT,DI:OCTAL D TYPE FF W/CLEAR	01295	SN74LS273 N OR J
A7U470	156-0865-00		MICROCIRCUIT,DI:OCTAL D TYPE FF W/CLEAR	01295	SN74LS273 N OR J
A7VR70	152-0166-00		SEMICONV DEVICE:ZENER,0.4W,6.2V,5%	80009	152-0166-00
A7VR170	152-0304-00		SEMICONV DEVICE:ZENER,0.4W,20V,5%	80009	152-0304-00
A7VR180	152-0166-00		SEMICONV DEVICE:ZENER,0.4W,6.2V,5%	80009	152-0166-00
A7VR268	152-0166-00		SEMICONV DEVICE:ZENER,0.4W,6.2V,5%	80009	152-0166-00
A7VR282	152-0590-00		SEMICONV DEVICE:ZENER,18V,5% AT 7MA	80009	152-0590-00

REPLACEABLE ELECTRICAL PARTS

Component No.	Tektronix Part No.	Serial/Model No. Eff	Discont	Name & Description	Mfr Code	Mfr Part Number
A9 VECTOR GENERATOR						
A9	670-5667-00			CKT BOARD ASSY:VECTOR GENERATOR	80009	670-5667-00
A9C109	283-0421-00			CAP., FXD, CER DI:0.1UF, +80-20%, 50V	04222	DG015E104Z
A9C111	290-0745-00			CAP., FXD, ELCTLT:22UF, +50-10%, 25V	56289	502D225
A9C113	290-0745-00			CAP., FXD, ELCTLT:22UF, +50-10%, 25V	56289	502D225
A9C115	283-0421-00			CAP., FXD, CER DI:0.1UF, +80-20%, 50V	04222	DG015E104Z
A9C117	290-0745-00			CAP., FXD, ELCTLT:22UF, +50-10%, 25V	56289	502D225
A9C118	290-0745-00			CAP., FXD, ELCTLT:22UF, +50-10%, 25V	56289	502D225
A9C128	290-0167-00			CAP., FXD, ELCTLT:10UF, 20%, 15V	56289	150D106X0015B2
A9C139	283-0422-00			CAP., FXD, CER DI:0.047UF, +80-20%, 50V	04222	DG015E473Z
A9C149	283-0422-00			CAP., FXD, CER DI:0.047UF, +80-20%, 50V	04222	DG015E473Z
A9C159	283-0422-00			CAP., FXD, CER DI:0.047UF, +80-20%, 50V	04222	DG015E473Z
A9C169	283-0422-00			CAP., FXD, CER DI:0.047UF, +80-20%, 50V	04222	DG015E473Z
A9C179	283-0422-00			CAP., FXD, CER DI:0.047UF, +80-20%, 50V	04222	DG015E473Z
A9C189	283-0422-00			CAP., FXD, CER DI:0.047UF, +80-20%, 50V	04222	DG015E473Z
A9C209	283-0421-00			CAP., FXD, CER DI:0.1UF, +80-20%, 50V	04222	DG015E104Z
A9C219	283-0421-00			CAP., FXD, CER DI:0.1UF, +80-20%, 50V	04222	DG015E104Z
A9C239	283-0422-00			CAP., FXD, CER DI:0.047UF, +80-20%, 50V	04222	DG015E473Z
A9C249	283-0422-00			CAP., FXD, CER DI:0.047UF, +80-20%, 50V	04222	DG015E473Z
A9C259	283-0422-00			CAP., FXD, CER DI:0.047UF, +80-20%, 50V	04222	DG015E473Z
A9C269	283-0422-00			CAP., FXD, CER DI:0.047UF, +80-20%, 50V	04222	DG015E473Z
A9C279	283-0422-00			CAP., FXD, CER DI:0.047UF, +80-20%, 50V	04222	DG015E473Z
A9C308	290-0183-00			CAP., FXD, ELCTLT:1UF, 10%, 35V	90201	TAE105K035P1A
A9C339	283-0422-00			CAP., FXD, CER DI:0.047UF, +80-20%, 50V	04222	DG015E473Z
A9C349	283-0422-00			CAP., FXD, CER DI:0.047UF, +80-20%, 50V	04222	DG015E473Z
A9C359	283-0422-00			CAP., FXD, CER DI:0.047UF, +80-20%, 50V	04222	DG015E473Z
A9C369	283-0422-00			CAP., FXD, CER DI:0.047UF, +80-20%, 50V	04222	DG015E473Z
A9C379	283-0422-00			CAP., FXD, CER DI:0.047UF, +80-20%, 50V	04222	DG015E473Z
A9C401	283-0421-00			CAP., FXD, CER DI:0.1UF, +80-20%, 50V	04222	DG015E104Z
A9C403	285-1050-00			CAP., FXD, PLSTC:0.1UF, 1%, 200V	14752	230B1C104F
A9C405	290-0745-00			CAP., FXD, ELCTLT:22UF, +50-10%, 25V	56289	502D225
A9C407	283-0421-00			CAP., FXD, CER DI:0.1UF, +80-20%, 50V	04222	DG015E104Z
A9C410	290-0745-00			CAP., FXD, ELCTLT:22UF, +50-10%, 25V	56289	502D225
A9C411	290-0183-00			CAP., FXD, ELCTLT:1UF, 10%, 35V	90201	TAE105K035P1A
A9C413	290-0745-00			CAP., FXD, ELCTLT:22UF, +50-10%, 25V	56289	502D225
A9C415	283-0421-00			CAP., FXD, CER DI:0.1UF, +80-20%, 50V	04222	DG015E104Z
A9C417	290-0745-00			CAP., FXD, ELCTLT:22UF, +50-10%, 25V	56289	502D225
A9C418	290-0183-00			CAP., FXD, ELCTLT:1UF, 10%, 35V	90201	TAE105K035P1A
A9C439	283-0422-00			CAP., FXD, CER DI:0.047UF, +80-20%, 50V	04222	DG015E473Z
A9C449	283-0422-00			CAP., FXD, CER DI:0.047UF, +80-20%, 50V	04222	DG015E473Z
A9C459	283-0422-00			CAP., FXD, CER DI:0.047UF, +80-20%, 50V	04222	DG015E473Z
A9C469	283-0422-00			CAP., FXD, CER DI:0.047UF, +80-20%, 50V	04222	DG015E473Z
A9C479	283-0422-00			CAP., FXD, CER DI:0.047UF, +80-20%, 50V	04222	DG015E473Z
A9C489	283-0422-00			CAP., FXD, CER DI:0.047UF, +80-20%, 50V	04222	DG015E473Z
A9C501	283-0421-00			CAP., FXD, CER DI:0.1UF, +80-20%, 50V	04222	DG015E104Z
A9C503	285-1050-00			CAP., FXD, PLSTC:0.1UF, 1%, 200V	14752	230B1C104F
A9C539	283-0422-00			CAP., FXD, CER DI:0.047UF, +80-20%, 50V	04222	DG015E473Z
A9C549	283-0422-00			CAP., FXD, CER DI:0.047UF, +80-20%, 50V	04222	DG015E473Z
A9C559	283-0422-00			CAP., FXD, CER DI:0.047UF, +80-20%, 50V	04222	DG015E473Z
A9C569	283-0422-00			CAP., FXD, CER DI:0.047UF, +80-20%, 50V	04222	DG015E473Z
A9C579	283-0422-00			CAP., FXD, CER DI:0.047UF, +80-20%, 50V	04222	DG015E473Z
A9C589	283-0422-00			CAP., FXD, CER DI:0.047UF, +80-20%, 50V	04222	DG015E473Z
A9C610	290-0183-00			CAP., FXD, ELCTLT:1UF, 10%, 35V	90201	TAE105K035P1A
A9C613	290-0183-00			CAP., FXD, ELCTLT:1UF, 10%, 35V	90201	TAE105K035P1A
A9C615	290-0183-00			CAP., FXD, ELCTLT:1UF, 10%, 35V	90201	TAE105K035P1A
A9C618	283-0421-00			CAP., FXD, CER DI:0.1UF, +80-20%, 50V	04222	DG015E104Z

REPLACEABLE ELECTRICAL PARTS

VECTOR GENERATOR (CONT)

Component No.	Tektronix Part No.	Serial/Model No. Eff Dscnt	Name & Description	Mfr Code	Mfr Part Number
A9C649	283-0422-00		CAP., FXD, CER DI:0.047UF, +80-20%, 50V	04222	DG015E473Z
A9C659	283-0422-00		CAP., FXD, CER DI:0.047UF, +80-20%, 50V	04222	DG015E473Z
A9C669	283-0422-00		CAP., FXD, CER DI:0.047UF, +80-20%, 50V	04222	DG015E473Z
A9C689	283-0422-00		CAP., FXD, CER DI:0.047UF, +80-20%, 50V	04222	DG015E473Z
A9C707	283-0421-00		CAP., FXD, CER DI:0.1UF, +80-20%, 50V	04222	DG015E104Z
A9C749	283-0422-00		CAP., FXD, CER DI:0.047UF, +80-20%, 50V	04222	DG015E473Z
A9C759	283-0422-00		CAP., FXD, CER DI:0.047UF, +80-20%, 50V	04222	DG015E473Z
A9C769	283-0422-00		CAP., FXD, CER DI:0.047UF, +80-20%, 50V	04222	DG015E473Z
A9C789	283-0422-00		CAP., FXD, CER DI:0.047UF, +80-20%, 50V	04222	DG015E473Z
A9J306A	131-1425-00		CONTACT SET, ELE:R ANGLE, 0.150" L, STR OF 36	22526	65521-136
A9J306B	131-1426-00		CONTACT SET, ELE:R ANGLE, 0.250L, STRIP OF 36	22526	65524-136
A9J314A	131-1425-00		CONTACT SET, ELE:R ANGLE, 0.150" L, STR OF 36	22526	65521-136
A9J314B	131-1426-00		CONTACT SET, ELE:R ANGLE, 0.250L, STRIP OF 36	22526	65524-136
A9L111	108-0598-00		COIL, RF:200UH	80009	108-0598-00
A9L117	108-0598-00		COIL, RF:200UH	80009	108-0598-00
A9L410	108-0598-00		COIL, RF:200UH	80009	108-0598-00
A9L419	108-0598-00		COIL, RF:200UH	80009	108-0598-00
A9P330	131-1994-00		CONN, RCPT, ELEC:CKT BD, 10 CONTACT MALE (QUANTITY OF 2)	27264	22-16-2101
A9Q105	151-0188-00		TRANSISTOR:SILICON, PNP	80009	151-0188-00
A9Q200	151-0271-00		TRANSISTOR:SILICON, PNP	80009	151-0271-00
A9Q205	151-0271-00		TRANSISTOR:SILICON, PNP	80009	151-0271-00
A9Q300	151-0192-00		TRANSISTOR:SILICON, NPN, SEL FROM MPS6521	04713	SPS8801
A9Q305	151-0192-00		TRANSISTOR:SILICON, NPN, SEL FROM MPS6521	04713	SPS8801
A9Q400	151-0192-00		TRANSISTOR:SILICON, NPN, SEL FROM MPS6521	04713	SPS8801
A9Q500	151-0192-00		TRANSISTOR:SILICON, NPN, SEL FROM MPS6521	04713	SPS8801
A9Q600	151-0192-00		TRANSISTOR:SILICON, NPN, SEL FROM MPS6521	04713	SPS8801
A9Q603	151-0192-00		TRANSISTOR:SILICON, NPN, SEL FROM MPS6521	04713	SPS8801
A9Q605	151-0271-00		TRANSISTOR:SILICON, PNP	80009	151-0271-00
A9Q607	151-0271-00		TRANSISTOR:SILICON, PNP	80009	151-0271-00
A9Q705	151-0188-00		TRANSISTOR:SILICON, PNP	80009	151-0188-00
A9R113	315-0682-00		RES., FXD, CMPSN:6.8K OHM, 5%, 0.25W	01121	CB6825
A9R203	321-0224-00		RES., FXD, FILM:2.1K OHM, 1%, 0.125W	91637	MFF1816G21000F
A9R204	315-0392-00		RES., FXD, CMPSN:3.9K OHM, 5%, 0.25W	01121	CB3925
A9R205	315-0392-00		RES., FXD, CMPSN:3.9K OHM, 5%, 0.25W	01121	CB3925
A9R209	321-0139-00		RES., FXD, FILM:274 OHM, 1%, 0.125W	91637	MFF1816G274ROF
A9R214	315-0392-00		RES., FXD, CMPSN:3.9K OHM, 5%, 0.25W	01121	CB3925
A9R215	321-0204-00		RES., FXD, FILM:1.3K OHM, 1%, 0.125W	91637	MFF1816G13000F
A9R216	321-0097-00		RES., FXD, FILM:100 OHM, 1%, 0.125W	91637	MFF1816G100ROF
A9R217	321-0097-00		RES., FXD, FILM:100 OHM, 1%, 0.125W	91637	MFF1816G100ROF
A9R222	315-0473-00		RES., FXD, CMPSN:47K OHM, 5%, 0.25W	01121	CB4735
A9R285	315-0242-00		RES., FXD, CMPSN:2.4K OHM, 5%, 0.25W	01121	CB2425
A9R286	315-0242-00		RES., FXD, CMPSN:2.4K OHM, 5%, 0.25W	01121	CB2425
A9R306	321-0105-00		RES., FXD, FILM:121 OHM, 1%, 0.125W	91637	MFF1816G121ROF
A9R308	321-0105-00		RES., FXD, FILM:121 OHM, 1%, 0.125W	91637	MFF1816G121ROF
A9R309	315-0132-00		RES., FXD, CMPSN:1.3K OHM, 5%, 0.25W	01121	CB1325
A9R321	311-1245-00		RES., VAR, NONWIR:10K OHM, 10%, 0.50W	73138	72-28-0
A9R323	315-0432-00		RES., FXD, CMPSN:4.3K OHM, 5%, 0.25W	01121	CB4325
A9R324	315-0473-00		RES., FXD, CMPSN:47K OHM, 5%, 0.25W	01121	CB4735
A9R405	315-0101-00		RES., FXD, CMPSN:100 OHM, 5%, 0.25W	01121	CB1015
A9R421	311-2071-00		RES., VAR, NONWIR:CKT BD, 2K OHM, 20%, 0.5W	01121	E4C202
A9R475	315-0242-00		RES., FXD, CMPSN:2.4K OHM, 5%, 0.25W	01121	CB2425
A9R504	315-0132-00		RES., FXD, CMPSN:1.3K OHM, 5%, 0.25W	01121	CB1325
A9R505	315-0101-00		RES., FXD, CMPSN:100 OHM, 5%, 0.25W	01121	CB1015
A9R507	321-0105-00		RES., FXD, FILM:121 OHM, 1%, 0.125W	91637	MFF1816G121ROF
A9R509	315-0432-00		RES., FXD, CMPSN:4.3K OHM, 5%, 0.25W	01121	CB4325
A9R601	321-0105-00		RES., FXD, FILM:121 OHM, 1%, 0.125W	91637	MFF1816G121ROF

REPLACEABLE ELECTRICAL PARTS

VECTOR GENERATOR (CONT)

Component No.	Tektronix Part No.	Serial/Model No. Eff Dscont	Name & Description	Mfr Code	Mfr Part Number
A9R615	321-0097-00		RES.,FXD,FILM:100 OHM,1%,0.125W	91637	MFF1816G100R0F
A9R616	321-0204-00		RES.,FXD,FILM:1.3K OHM,1%,0.125W	91637	MFF1816G13000F
A9R617	321-0097-00		RES.,FXD,FILM:100 OHM,1%,0.125W	91637	MFF1816G100R0F
A9R621	311-2071-00		RES.,VAR,NONWIR:CKT BD,2K OHM,20%,0.5W	01121	E4C202
A9R702	315-0392-00		RES.,FXD,CMPSN:3.9K OHM,5%,0.25W	01121	CB3925
A9R703	315-0392-00		RES.,FXD,CMPSN:3.9K OHM,5%,0.25W	01121	CB3925
A9R704	321-0139-00		RES.,FXD,FILM:274 OHM,1%,0.125W	91637	MFF1816G274R0F
A9R706	321-0224-00		RES.,FXD,FILM:2.1K OHM,1%,0.125W	91637	MFF1816G21000F
A9R711	315-0392-00		RES.,FXD,CMPSN:3.9K OHM,5%,0.25W	01121	CB3925
A9R712	315-0682-00		RES.,FXD,CMPSN:6.8K OHM,5%,0.25W	01121	CB6825
A9R715	311-1245-00		RES.,VAR,NONWIR:10K OHM,10%,0.50W	73138	72-28-0
A9R716	315-0623-00		RES.,FXD,CMPSN:62K OHM,5%,0.25W	01121	CB6235
A9TP405	214-0579-00		TERM,TEST POINT:BRS CD PL	80009	214-0579-00
A9TP505	214-0579-00		TERM,TEST POINT:BRS CD PL	80009	214-0579-00
A9TP560	214-0579-00		TERM,TEST POINT:BRS CD PL	80009	214-0579-00
A9U135	156-0844-00		MICROCIRCUIT,DI:SYNC 4-BIT BIN COUNTER	34335	SN74LS161N
A9U145	156-0480-00		MICROCIRCUIT,DI:QUAD 2-INPUT AND GATE	80009	156-0480-00
A9U155	156-0382-00		MICROCIRCUIT,DI:QUAD 2-INPUT NAND GATE	80009	156-0382-00
A9U165	156-0464-00		MICROCIRCUIT,DI:DUAL 4-INPUT NAND GATE	80009	156-0464-00
A9U175	156-0120-00		MICROCIRCUIT,DI:SINGLE 4-BIT R/L SHIFT REG	80009	156-0120-00
A9U185	156-0382-00		MICROCIRCUIT,DI:QUAD 2-INPUT NAND GATE	80009	156-0382-00
A9U210	156-0162-00		MICROCIRCUIT,LI:DIFFERENTIAL VIDEO AMPL	80009	156-0162-00
A9U235	156-0385-00		MICROCIRCUIT,DI:HEX.INVERTER	80009	156-0385-00
A9U245	156-0311-00		MICROCIRCUIT,DI:6-BIT BINARY RATE MULT	80009	156-0311-00
A9U255	156-0311-00		MICROCIRCUIT,DI:6-BIT BINARY RATE MULT	80009	156-0311-00
A9U265	156-0311-00		MICROCIRCUIT,DI:6-BIT BINARY RATE MULT	80009	156-0311-00
A9U275	156-0311-00		MICROCIRCUIT,DI:6-BIT BINARY RATE MULT	80009	156-0311-00
A9U315	156-1329-00		MICROCIRCUIT,LI:DAC HI SPEED,12 BIT		
A9U335	156-0382-00		MICROCIRCUIT,DI:QUAD 2-INPUT NAND GATE	80009	156-0382-00
A9U345	156-0391-00		MICROCIRCUIT,DI:HEX LATCH WITH CLEAR	80009	156-0391-00
A9U355	156-0391-00		MICROCIRCUIT,DI:HEX LATCH WITH CLEAR	80009	156-0391-00
A9U365	156-0391-00		MICROCIRCUIT,DI:HEX LATCH WITH CLEAR	80009	156-0391-00
A9U375	156-0391-00		MICROCIRCUIT,DI:HEX LATCH WITH CLEAR	80009	156-0391-00
A9U435	156-0382-00		MICROCIRCUIT,DI:QUAD 2-INPUT NAND GATE	80009	156-0382-00
A9U445	156-0412-00		MICROCIRCUIT,DI:4-BIT BIN UP/DOWN COUNTER	01295	SN74LS193N
A9U455	156-0412-00		MICROCIRCUIT,DI:4-BIT BIN UP/DOWN COUNTER	01295	SN74LS193N
A9U465	156-0412-00		MICROCIRCUIT,DI:4-BIT BIN UP/DOWN COUNTER	01295	SN74LS193N
A9U475	156-0385-00		MICROCIRCUIT,DI:HEX.INVERTER	80009	156-0385-00
A9U485	156-0382-00		MICROCIRCUIT,DI:QUAD 2-INPUT NAND GATE	80009	156-0382-00
A9U515	156-1329-00		MICROCIRCUIT,LI:DAC HI SPEED,12 BIT	80009	156-1329-00
A9U535	156-0093-00		MICROCIRCUIT,DI:HEX.INVERTER	80009	156-0093-00
A9U545	156-0412-00		MICROCIRCUIT,DI:4-BIT BIN UP/DOWN COUNTER	01295	SN74LS193N
A9U555	156-0412-00		MICROCIRCUIT,DI:4-BIT BIN UP/DOWN COUNTER	01295	SN74LS193N
A9U565	156-0412-00		MICROCIRCUIT,DI:4-BIT BIN UP/DOWN COUNTER	01295	SN74LS193N
A9U575	156-0041-00		MICROCIRCUIT,DI:DUAL D-TYPE FLIP-FLOP	27014	DM7474N
A9U585	156-0916-00		MICROCIRCUIT,DI:EIGHT 2-INP 3-STATE BFR	80009	156-0916-00
A9U610	156-0162-00		MICROCIRCUIT,LI:DIFFERENTIAL VIDEO AMPL	80009	156-0162-00
A9U645	156-0381-00		MICROCIRCUIT,DI:QUAD 2-INPUT EXCL OR GATES	80009	156-0381-00
A9U655	156-0381-00		MICROCIRCUIT,DI:QUAD 2-INPUT EXCL OR GATES	80009	156-0381-00
A9U665	156-0381-00		MICROCIRCUIT,DI:QUAD 2-INPUT EXCL OR GATES	80009	156-0381-00
A9U675	156-0916-00		MICROCIRCUIT,DI:EIGHT 2-INP 3-STATE BFR	80009	156-0916-00
A9U685	156-0916-00		MICROCIRCUIT,DI:EIGHT 2-INP 3-STATE BFR	80009	156-0916-00
A9U745	156-0381-00		MICROCIRCUIT,DI:QUAD 2-INPUT EXCL OR GATES	80009	156-0381-00
A9U755	156-0381-00		MICROCIRCUIT,DI:QUAD 2-INPUT EXCL OR GATES	80009	156-0381-00
A9U765	156-0381-00		MICROCIRCUIT,DI:QUAD 2-INPUT EXCL OR GATES	80009	156-0381-00
A9U775	156-0916-00		MICROCIRCUIT,DI:EIGHT 2-INP 3-STATE BFR	80009	156-0916-00
A9U785	156-0916-00		MICROCIRCUIT,DI:EIGHT 2-INP 3-STATE BFR	80009	156-0916-00

REPLACEABLE ELECTRICAL PARTS

VECTOR GENERATOR (CONT)

Component No.	Tektronix Part No.	Serial/Model No. Eff Dscont	Name & Description	Mfr Code	Mfr Part Number
A9VR110	152-0055-00		SEMICON D DEVICE: ZENER, 0.4W, 11V, 5%	80009	152-0055-00
A9VR219	152-0395-00		SEMICON D DEVICE: ZENER, 0.4W, 4.3V, 5%	04713	1N749A
A9VR625	152-0055-00		SEMICON D DEVICE: ZENER, 0.4W, 11V, 5%	80009	152-0055-00
A9VR710	152-0395-00		SEMICON D DEVICE: ZENER, 0.4W, 4.3V, 5%	04713	1N749A

REPLACEABLE ELECTRICAL PARTS

Component No.	Tektronix Part No.	Serial/Model No. Eff Dscnt	Name & Description	Mfr Code	Mfr Part Number
A10 DISPLAY CONTROLLER					
A10	670-5672-00		CKT BOARD ASSY:DISPLAY CONTROLLER	80009	670-5672-00
A10C5	283-0111-00		CAP., FXD, CER DI:0.1UF, 20%, 50V	72982	8121-N088Z5U104M
A10C10	283-0197-00		CAP., FXD, CER DI:470PF, 5%, 100V	72982	8121N075COG0471J
A10C20	283-0422-00		CAP., FXD, CER DI:0.047UF, +80-20%, 50V	04222	DG015E473Z
A10C35	283-0422-00		CAP., FXD, CER DI:0.047UF, +80-20%, 50V	04222	DG015E473Z
A10C45	283-0422-00		CAP., FXD, CER DI:0.047UF, +80-20%, 50V	04222	DG015E473Z
A10C100	290-0135-00		CAP., FXD, ELCTLT:15UF, 20%, 20V	56289	150D156X0020B2
A10C105	290-0748-00		CAP., FXD, ELCTLT:10UF, +50-10%, 20V	56289	500D149
A10C110	290-0748-00		CAP., FXD, ELCTLT:10UF, +50-10%, 20V	56289	500D149
A10C115	290-0748-00		CAP., FXD, ELCTLT:10UF, +50-10%, 20V	56289	500D149
A10C120	290-0135-00		CAP., FXD, ELCTLT:15UF, 20%, 20V	56289	150D156X0020B2
A10C125	283-0422-00		CAP., FXD, CER DI:0.047UF, +80-20%, 50V	04222	DG015E473Z
A10C230	283-0422-00		CAP., FXD, CER DI:0.047UF, +80-20%, 50V	04222	DG015E473Z
A10C245	283-0422-00		CAP., FXD, CER DI:0.047UF, +80-20%, 50V	04222	DG015E473Z
A10C325	283-0422-00		CAP., FXD, CER DI:0.047UF, +80-20%, 50V	04222	DG015E473Z
A10C335	283-0422-00		CAP., FXD, CER DI:0.047UF, +80-20%, 50V	04222	DG015E473Z
A10C340	283-0422-00		CAP., FXD, CER DI:0.047UF, +80-20%, 50V	04222	DG015E473Z
A10C412	283-0204-00		CAP., FXD, CER DI:0.01UF, 20%, 50V	72982	8121N06125U0103M
A10C420	283-0422-00		CAP., FXD, CER DI:0.047UF, +80-20%, 50V	04222	DG015E473Z
A10C430	283-0422-00		CAP., FXD, CER DI:0.047UF, +80-20%, 50V	04222	DG015E473Z
A10C450	283-0197-00		CAP., FXD, CER DI:470PF, 5%, 100V	72982	8121N075COG0471J
A10C510	283-0600-00		CAP., FXD, MICA D:43PF, 5%, 500V	00853	D105E430J0
A10C520	283-0195-00		CAP., FXD, CER DI:680PF, 5%, 50V	72982	8121N075COG0681J
A10C522	283-0195-00		CAP., FXD, CER DI:680PF, 5%, 50V	72982	8121N075COG0681J
A10C525	283-0422-00		CAP., FXD, CER DI:0.047UF, +80-20%, 50V	04222	DG015E473Z
A10C535	283-0422-00		CAP., FXD, CER DI:0.047UF, +80-20%, 50V	04222	DG015E473Z
A10C630	283-0422-00		CAP., FXD, CER DI:0.047UF, +80-20%, 50V	04222	DG015E473Z
A10C640	283-0422-00		CAP., FXD, CER DI:0.047UF, +80-20%, 50V	04222	DG015E473Z
A10C720	283-0422-00		CAP., FXD, CER DI:0.047UF, +80-20%, 50V	04222	DG015E473Z
A10C740	283-0111-00		CAP., FXD, CER DI:0.1UF, 20%, 50V	72982	8121-N088Z5U104M
	<i>C722, 724</i>	<i>283-0775-00</i>	<i>" .1uF 50V</i>		
A10C744	283-0111-00		CAP., FXD, CER DI:0.1UF, 20%, 50V	72982	8121-N088Z5U104M
A10C745	283-0111-00		CAP., FXD, CER DI:0.1UF, 20%, 50V	72982	8121-N088Z5U104M
A10C750	283-0111-00		CAP., FXD, CER DI:0.1UF, 20%, 50V	72982	8121-N088Z5U104M
A10CR300	152-0075-00		SEMICONV DEVICE:GE, 25V, 40MA	14433	G866
A10CR320	152-0075-00		SEMICONV DEVICE:GE, 25V, 40MA	14433	G866
A10J304A	131-1425-00		CONTACT SET, ELE:R ANGLE, 0.150" L, STR OF 36	22526	65521-136
A10J304B	131-1426-00		CONTACT SET, ELE:R ANGLE, 0.250L, STRIP OF 36	22526	65524-136
A10J305A	131-1425-00		CONTACT SET, ELE:R ANGLE, 0.150" L, STR OF 36	22526	65521-136
A10J305B	131-1426-00		CONTACT SET, ELE:R ANGLE, 0.250L, STRIP OF 36	22526	65524-136
A10J307	131-0608-00		TERMINAL, PIN:0.365 L X 0.25 PH, BRZ, GOLD PL (QUANTITY OF 9)	22526	47357
A10J308	131-0608-00		TERMINAL, PIN:0.365 L X 0.25 PH, BRZ, GOLD PL (QUANTITY OF 4)	22526	47357
A10J510	131-0608-00		TERMINAL, PIN:0.365 L X 0.25 PH, BRZ, GOLD PL (QUANTITY OF 2)	22526	47357
A10L520	108-0538-00		COIL, RF:2.7UH	76493	70F276A1
A10Q500	151-0183-00		TRANSISTOR: SILICON, NPN	80009	151-0183-00
A10Q600	151-0224-00		TRANSISTOR: SILICON, NPN	80009	151-0224-00
A10Q700	151-0224-00		TRANSISTOR: SILICON, NPN	80009	151-0224-00
A10R5	315-0302-00		RES., FXD, CMPSN:3K OHM, 5%, 0.25W	01121	CB3025
A10R10	315-0472-00		RES., FXD, CMPSN:4.7K OHM, 5%, 0.25W	01121	CB4725
A10R25	315-0242-00		RES., FXD, CMPSN:2.4K OHM, 5%, 0.25W	01121	CB2425
A10R300	315-0223-00		RES., FXD, CMPSN:22K OHM, 5%, 0.25W	01121	CB2235
A10R310	315-0102-00		RES., FXD, CMPSN:1K OHM, 5%, 0.25W	01121	CB1025
A10R350	315-0102-00		RES., FXD, CMPSN:1K OHM, 5%, 0.25W	01121	CB1025

REPLACEABLE ELECTRICAL PARTS

DISPLAY CONTROLLER (CONT)

Component No.	Tektronix Part No.	Serial/Model No. Eff Dscont	Name & Description	Mfr Code	Mfr Part Number
A10R355	311-1915-00		RES.,VAR, NONWIR:20K OHM,10%,0.50W	73138	72-196-0
A10R400	315-0102-00		RES.,FXD,CMPSN:1K OHM,5%,0.25W	01121	CB1025
A10R401	315-0242-00		RES.,FXD,CMPSN:2.4K OHM,5%,0.25W	01121	CB2425
A10R402	315-0103-00		RES.,FXD,CMPSN:10K OHM,5%,0.25W	01121	CB1035
A10R410	315-0223-00		RES.,FXD,CMPSN:22K OHM,5%,0.25W	01121	CB2235
A10R412	315-0102-00		RES.,FXD,CMPSN:1K OHM,5%,0.25W	01121	CB1025
A10R450	315-0102-00		RES.,FXD,CMPSN:1K OHM,5%,0.25W	01121	CB1025
A10R455	311-1915-00		RES.,VAR, NONWIR:20K OHM,10%,0.50W	73138	72-196-0
A10R500	315-0103-00		RES.,FXD,CMPSN:10K OHM,5%,0.25W	01121	CB1035
A10R501	315-0103-00		RES.,FXD,CMPSN:10K OHM,5%,0.25W	01121	CB1035
A10R502	315-0103-00		RES.,FXD,CMPSN:10K OHM,5%,0.25W	01121	CB1035
A10R503	315-0222-00		RES.,FXD,CMPSN:2.2K OHM,5%,0.25W	01121	CB2225
A10R510	315-0821-00		RES.,FXD,CMPSN:820 OHM,5%,0.25W	01121	CB8215
A10R520	315-0821-00		RES.,FXD,CMPSN:820 OHM,5%,0.25W	01121	CB8215
A10R521	315-0471-00		RES.,FXD,CMPSN:470 OHM,5%,0.25W	01121	CB4715
A10R522	315-0103-00		RES.,FXD,CMPSN:10K OHM,5%,0.25W	01121	CB1035
A10R523	315-0103-00		RES.,FXD,CMPSN:10K OHM,5%,0.25W	01121	CB1035
A10R710	315-0102-00		RES.,FXD,CMPSN:1K OHM,5%,0.25W	01121	CB1025
A10R715	315-0222-00		RES.,FXD,CMPSN:2.2K OHM,5%,0.25W	01121	CB2225
A10R720	315-0912-00		RES.,FXD,CMPSN:9.1K OHM,5%,0.25W	01121	CB9125
A10R721	315-0912-00		RES.,FXD,CMPSN:9.1K OHM,5%,0.25W	01121	CB9125
A10R722	315-0472-00		RES.,FXD,CMPSN:4.7K OHM,5%,0.25W	01121	CB4725
A10R725	315-0912-00		RES.,FXD,CMPSN:9.1K OHM,5%,0.25W	01121	CB9125
A10R726	315-0472-00		RES.,FXD,CMPSN:4.7K OHM,5%,0.25W	01121	CB4725
A10R727	315-0472-00		RES.,FXD,CMPSN:4.7K OHM,5%,0.25W	01121	CB4725
A10R730	315-0242-00		RES.,FXD,CMPSN:2.4K OHM,5%,0.25W	01121	CB2425
A10R731	315-0472-00		RES.,FXD,CMPSN:4.7K OHM,5%,0.25W	01121	CB4725
A10R732	315-0912-00		RES.,FXD,CMPSN:9.1K OHM,5%,0.25W	01121	CB9125
A10R740	315-0103-00		RES.,FXD,CMPSN:10K OHM,5%,0.25W	01121	CB1035
A10R741	321-0330-00		RES.,FXD,FILM:26.7K OHM,1%,0.125W	91637	MFF1816G26701F
A10R742	321-0289-00		RES.,FXD,FILM:10K OHM,1%,0.125W	91637	MFF1816G10001F
A10R743	321-0289-00		RES.,FXD,FILM:10K OHM,1%,0.125W	91637	MFF1816G10001F
A10R744	315-0103-00		RES.,FXD,CMPSN:10K OHM,5%,0.25W	01121	CB1035
A10R745	315-0103-00		RES.,FXD,CMPSN:10K OHM,5%,0.25W	01121	CB1035
A10R746	321-0289-00		RES.,FXD,FILM:10K OHM,1%,0.125W	91637	MFF1816G10001F
A10R747	321-0330-00		RES.,FXD,FILM:26.7K OHM,1%,0.125W	91637	MFF1816G26701F
A10R748	315-0242-00		RES.,FXD,CMPSN:2.4K OHM,5%,0.25W	01121	CB2425
A10R750	315-0103-00		RES.,FXD,CMPSN:10K OHM,5%,0.25W	01121	CB1035
A10R751	321-0289-00		RES.,FXD,FILM:10K OHM,1%,0.125W	91637	MFF1816G10001F
A10R752	321-0318-00		RES.,FXD,FILM:20K OHM,1%,0.125W	91637	MFF1816G20001F
A10R753	315-0242-00		RES.,FXD,CMPSN:2.4K OHM,5%,0.25W	01121	CB2425
A10R754	321-0318-00		RES.,FXD,FILM:20K OHM,1%,0.125W	91637	MFF1816G20001F
A10U20	156-0733-00		MICROCIRCUIT,DI:DUAL MONOSTABLE MV	80009	156-0733-00
A10U25	156-0804-00		MICROCIRCUIT,DI:QUADRUPLE S-R LATCH	07263	74LS279PC
A10U35	156-0382-00		MICROCIRCUIT,DI:QUAD 2-INPUT NAND GATE	80009	156-0382-00
A10U40	156-0412-00		MICROCIRCUIT,DI:4-BIT BIN UP/DOWN COUNTER	01295	SN74LS193N
A10U45	156-0412-00		MICROCIRCUIT,DI:4-BIT BIN UP/DOWN COUNTER	01295	SN74LS193N
A10U120	156-0118-00		MICROCIRCUIT,DI:J-K MASTER-SLAVE FLIP-FLOP	80009	156-0118-00
A10U125	156-0388-00		MICROCIRCUIT,DI:DUAL D-TYPE FLIP-FLOP	80009	156-0388-00
A10U130	156-0480-00		MICROCIRCUIT,DI:QUAD 2-INPUT AND GATE	80009	156-0480-00
A10U135	156-0718-00		MICROCIRCUIT,DI:TRIPLE 3-INP POS-NOR GATES	80009	156-0718-00
A10U140	156-0789-00		MICROCIRCUIT,DI:8-BIT SR,PRL LOAD	80009	156-0789-00
A10U145	156-0412-00		MICROCIRCUIT,DI:4-BIT BIN UP/DOWN COUNTER	01295	SN74LS193N
A10U220	156-0172-00		MICROCIRCUIT,DI:DUAL RETRIG ONE-SHOT W/CLR	80009	156-0172-00
A10U225	156-0388-00		MICROCIRCUIT,DI:DUAL D-TYPE FLIP-FLOP	80009	156-0388-00
A10U230	156-1172-01		MICROCIRCUIT,DI:DUAL 4 BIT CNTR,BURN IN	80009	156-1172-01
A10U235	156-0469-00		MICROCIRCUIT,DI:3-LINE TO 8-LINE DECODER	01295	SN74LS138N

REPLACEABLE ELECTRICAL PARTS

DISPLAY CONTROLLER (CONT)

Component No.	Tektronix Part No.	Serial/Model No. Eff Dscnt	Name & Description	Mfr Code	Mfr Part Number
A10U240	156-0789-00		MICROCIRCUIT,DI:8-BIT SR,PRL LOAD	80009	156-0789-00
A10U245	156-0382-00		MICROCIRCUIT,DI:QUAD 2-INPUT NAND GATE	80009	156-0382-00
A10U320	156-0386-00		MICROCIRCUIT,DI:TRIPLE 3-INPUT NAND GATE	80009	156-0386-00
A10U325	156-0382-00		MICROCIRCUIT,DI:QUAD 2-INPUT NAND GATE	80009	156-0382-00
A10U330	156-0804-00		MICROCIRCUIT,DI:QUADRUPLE S-R LATCH	07263	74LS279PC
A10U335	156-0703-00		MICROCIRCUIT,DI:4-2-3-2 INPUTAND-OR GATES	07263	74S64PC
A10U340	156-0385-00		MICROCIRCUIT,DI:HEX. INVERTER	80009	156-0385-00
A10U345	156-0735-00		MICROCIRCUIT,DI:4-BIT BISTABLE LATCH	80009	156-0735-00
A10U420	156-0323-00		MICROCIRCUIT,DI:HEX. INVERTER	01295	SN74S04N
A10U425	156-0481-00		MICROCIRCUIT,DI:TRIPLE 3-INPUT AND GATE	07263	74LS11(PC OR DC)
A10U430	156-0385-00		MICROCIRCUIT,DI:HEX. INVERTER	80009	156-0385-00
A10U435	156-1172-01		MICROCIRCUIT,DI:DUAL 4 BIT CNTR,BURN IN	80009	156-1172-01
A10U440	156-0469-00		MICROCIRCUIT,DI:3-LINE TO 8-LINE DECODER	01295	SN74LS138N
A10U445	156-0469-00		MICROCIRCUIT,DI:3-LINE TO 8-LINE DECODER	01295	SN74LS138N
A10U525	156-0388-00		MICROCIRCUIT,DI:DUAL D-TYPE FLIP-FLOP	80009	156-0388-00
A10U530	156-0382-00		MICROCIRCUIT,DI:QUAD 2-INPUT NAND GATE	80009	156-0382-00
A10U535	156-0388-00		MICROCIRCUIT,DI:DUAL D-TYPE FLIP-FLOP	80009	156-0388-00
A10U540	156-1172-01		MICROCIRCUIT,DI:DUAL 4 BIT CNTR,BURN IN	80009	156-1172-01
A10U545	156-0916-00		MICROCIRCUIT,DI:EIGHT 2-INP 3-STATE BFR	80009	156-0916-00
A10U620	156-0733-00		MICROCIRCUIT,DI:DUAL MONOSTABLE MV	80009	156-0733-00
A10U625	156-0733-00		MICROCIRCUIT,DI:DUAL MONOSTABLE MV	80009	156-0733-00
A10U630	156-0731-00		MICROCIRCUIT,DI:DUAL J-K FF W/PRESET & CLR	80009	156-0731-00
A10U635	156-0386-00		MICROCIRCUIT,DI:TRIPLE 3-INPUT NAND GATE	80009	156-0386-00
A10U640	156-0388-00		MICROCIRCUIT,DI:DUAL D-TYPE FLIP-FLOP	80009	156-0388-00
A10U645	156-0916-00		MICROCIRCUIT,DI:EIGHT 2-INP 3-STATE BFR	80009	156-0916-00
A10U720	156-0411-00		MICROCIRCUIT,LI:QUAD-COMP,SGL SUPPLY	27014	LM339N
A10U725	156-0994-00		MICROCIRCUIT,DI:8 INPUT DATA SEL/MUX	80009	156-0994-00
A10U730	156-0388-00		MICROCIRCUIT,DI:DUAL D-TYPE FLIP-FLOP	80009	156-0388-00
A10U735	156-0382-00		MICROCIRCUIT,DI:QUAD 2-INPUT NAND GATE	80009	156-0382-00
A10VR310	152-0278-00		SEMICOND DEVICE:ZENER,0.4W,3V,5%	80009	152-0278-00
A10Y610	158-0135-00		XTAL UNIT,QTZ:14.7456 MHZ,0.01%,SERIES		

REPLACEABLE ELECTRICAL PARTS

Component No.	Tektronix Part No.	Serial/Model No. Eff Dscont	Name & Description	Mfr Code	Mfr Part Number
All DEFLECTION AMPLIFIER					
A11	672-0783-01		CKT BOARD ASSY:DEFLECTION AMPLIFIER	80009	672-0783-01
A11C5	290-0301-00		CAP., FXD, ELCTLT:10UF, 10%, 20V	56289	150D106X9020B2
A11C10	290-0301-00		CAP., FXD, ELCTLT:10UF, 10%, 20V	56289	150D106X9020B2
A11C60	290-0745-00		CAP., FXD, ELCTLT:22UF, +50-10%, 25V	56289	502D225
A11C62	290-0745-00		CAP., FXD, ELCTLT:22UF, +50-10%, 25V	56289	502D225
A11C70	281-0759-00		CAP., FXD, CER DI:22PF, 10%, 100V	72982	8035D9AADC1G220K
A11C75	281-0812-00		CAP., FXD, CER DI:1000PF, 10%, 100V	72982	8035D9AADX7R102K
A11C91	281-0812-00		CAP., FXD, CER DI:1000PF, 10%, 100V	72982	8035D9AADX7R102K
A11C100	285-1098-00		CAP., FXD, PLSTC:0.22UF, 10%, 80V	56289	192P2249R8
A11C105	285-1098-00		CAP., FXD, PLSTC:0.22UF, 10%, 80V	56289	192P2249R8
A11C129	283-0114-00		CAP., FXD, CER DI:0.0015UF, 5%, 200V	72982	805-509B152J
A11C130	281-0812-00		CAP., FXD, CER DI:1000PF, 10%, 100V	72982	8035D9AADX7R102K
A11C143	281-0812-00		CAP., FXD, CER DI:1000PF, 10%, 100V	72982	8035D9AADX7R102K
A11C144	283-0114-00		CAP., FXD, CER DI:0.0015UF, 5%, 200V	72982	805-509B152J
A11C173	281-0812-00		CAP., FXD, CER DI:1000PF, 10%, 100V	72982	8035D9AADX7R102K
A11C177	281-0759-00		CAP., FXD, CER DI:22PF, 10%, 100V	72982	8035D9AADC1G220K
A11C190	281-0812-00		CAP., FXD, CER DI:1000PF, 10%, 100V	72982	8035D9AADX7R102K
A11C194	281-0772-00		CAP., FXD, CER DI:0.0047UF, 10%, 100V	72982	8005H9AADW5R472K
A11C230	281-0788-00		CAP., FXD, CER DI:470PF, 10%, 100V	72982	8005H9AADW5R471K
A11C233	281-0788-00		CAP., FXD, CER DI:470PF, 10%, 100V	72982	8005H9AADW5R471K
A11C243	285-0629-00		CAP., FXD, PLSTC:0.47UF, 20%, 100V	56289	410P47301
A11C244	281-0759-00		CAP., FXD, CER DI:22PF, 10%, 100V	72982	8035D9AADC1G220K
A11C263	285-0629-00		CAP., FXD, PLSTC:0.047UF, 20%, 100V	56289	410P47301
A11C264	281-0759-00		CAP., FXD, CER DI:22PF, 10%, 100V	72982	8035D9AADC1G220K
A11C275	281-0775-00		CAP., FXD, CER DI:0.1UF, 20%, 50V	72982	8005D9AABZ5U104M
A11C293	283-0142-00		CAP., FXD, CER DI:0.0027UF, 5%, 200V	72982	875-571-Y5E0272J
A11C294	283-0142-00		CAP., FXD, CER DI:0.0027UF, 5%, 200V	72982	875-571-Y5E0272J
A11C496	281-0772-00		CAP., FXD, CER DI:0.0047UF, 10%, 100V	72982	8005H9AADW5R472K
A11C497	281-0811-00		CAP., FXD, CER DI:10PF, 10%, 100V	72982	8035D2AADC1G100K
A11CR25	152-0066-00		SEMICONV DEVICE:SILICON, 400V, 750MA	14433	LG4016
A11CR27	152-0066-00		SEMICONV DEVICE:SILICON, 400V, 750MA	14433	LG4016
A11CR45	152-0066-00		SEMICONV DEVICE:SILICON, 400V, 750MA	14433	LG4016
A11CR47	152-0066-00		SEMICONV DEVICE:SILICON, 400V, 750MA	14433	LG4016
A11CR80	152-0141-02		SEMICONV DEVICE:SILICON, 30V, 50NA	01295	1N4152R
A11CR91	152-0141-02		SEMICONV DEVICE:SILICON, 30V, 50NA	01295	1N4152R
A11CR93	152-0141-02		SEMICONV DEVICE:SILICON, 30V, 50NA	01295	1N4152R
A11CR95	152-0141-02		SEMICONV DEVICE:SILICON, 30V, 50NA	01295	1N4152R
A11CR180	152-0141-02		SEMICONV DEVICE:SILICON, 30V, 50NA	01295	1N4152R
A11CR182	152-0141-02		SEMICONV DEVICE:SILICON, 30V, 50NA	01295	1N4152R
A11CR191	152-0141-02		SEMICONV DEVICE:SILICON, 30V, 50NA	01295	1N4152R
A11CR192	152-0141-02		SEMICONV DEVICE:SILICON, 30V, 50NA	01295	1N4152R
A11CR193	152-0141-02		SEMICONV DEVICE:SILICON, 30V, 50NA	01295	1N4152R
A11CR195	152-0141-02		SEMICONV DEVICE:SILICON, 30V, 50NA	01295	1N4152R
A11CR198	152-0141-02		SEMICONV DEVICE:SILICON, 30V, 50NA	01295	1N4152R
A11CR270	152-0141-02		SEMICONV DEVICE:SILICON, 30V, 50NA	01295	1N4152R
A11CR272	152-0141-02		SEMICONV DEVICE:SILICON, 30V, 50NA	01295	1N4152R
A11CR280	152-0141-02		SEMICONV DEVICE:SILICON, 30V, 50NA	01295	1N4152R
A11CR282	152-0141-02		SEMICONV DEVICE:SILICON, 30V, 50NA	01295	1N4152R
A11CR295	152-0141-02		SEMICONV DEVICE:SILICON, 30V, 50NA	01295	1N4152R
A11CR296	152-0141-02		SEMICONV DEVICE:SILICON, 30V, 50NA	01295	1N4152R
A11CR345	152-0141-02		SEMICONV DEVICE:SILICON, 30V, 50NA	01295	1N4152R
A11CR346	152-0141-02		SEMICONV DEVICE:SILICON, 30V, 50NA	01295	1N4152R
A11CR365	152-0141-02		SEMICONV DEVICE:SILICON, 30V, 50NA	01295	1N4152R
A11CR366	152-0141-02		SEMICONV DEVICE:SILICON, 30V, 50NA	01295	1N4152R
A11CR375	152-0141-02		SEMICONV DEVICE:SILICON, 30V, 50NA	01295	1N4152R

REPLACEABLE ELECTRICAL PARTS

DEFLECTION AMPLIFIER (CONT)

Component No.	Tektronix Part No.	Serial/Model No. Eff Dscont	Name & Description	Mfr Code	Mfr Part Number
A11CR385	152-0141-02		SEMICON D DEVICE:SILICON,30V,50NA	01295	IN4152R
A11CR494	152-0141-02		SEMICON D DEVICE:SILICON,30V,50NA	01295	IN4152R
A11CR495	152-0141-02		SEMICON D DEVICE:SILICON,30V,50NA	01295	IN4152R
A11CR496	152-0141-02		SEMICON D DEVICE:SILICON,30V,50NA	01295	IN4152R
A11CR497	152-0141-02		SEMICON D DEVICE:SILICON,30V,50NA	01295	IN4152R
A11CR498	152-0141-02		SEMICON D DEVICE:SILICON,30V,50NA	01295	IN4152R
A11Q10	151-0606-00		TRANSISTOR:SILICON,NPN	80009	151-0606-00
A11Q20	151-0607-00		TRANSISTOR:SILICON,PNP	80009	151-0607-00
A11Q40	151-0607-00		TRANSISTOR:SILICON,PNP	80009	151-0607-00
A11Q60	151-0606-00		TRANSISTOR:SILICON,NPN	80009	151-0606-00
A11Q80	151-0190-00		TRANSISTOR:SILICON,NPN	07263	S032677
A11Q85	151-0188-00		TRANSISTOR:SILICON,PNP	80009	151-0188-00
A11Q90	151-0188-00		TRANSISTOR:SILICON,PNP	80009	151-0188-00
A11Q95	151-0190-00		TRANSISTOR:SILICON,NPN	07263	S032677
A11Q180	151-0190-00		TRANSISTOR:SILICON,NPN	07263	S032677
A11Q185	151-0188-00		TRANSISTOR:SILICON,PNP	80009	151-0188-00
A11Q190	151-0188-00		TRANSISTOR:SILICON,PNP	80009	151-0188-00
A11Q195	151-0190-00		TRANSISTOR:SILICON,NPN	07263	S032677
A11Q205	151-0190-00		TRANSISTOR:SILICON,NPN	07263	S032677
A11Q291	151-0190-00		TRANSISTOR:SILICON,NPN	07263	S032677
A11Q292	151-0190-00		TRANSISTOR:SILICON,NPN	07263	S032677
A11Q305	151-0190-00		TRANSISTOR:SILICON,NPN	07263	S032677
A11Q308	151-0190-00		TRANSISTOR:SILICON,NPN	07263	S032677
A11Q378	151-0190-00		TRANSISTOR:SILICON,NPN	07263	S032677
A11Q399	151-0190-00		TRANSISTOR:SILICON,NPN	07263	S032677
A11R10	308-0242-00		RES.,FXD,WW:0.25 OHM,5%,5W	91637	RS2A-ER2500K
A11R25	307-0593-00		RES.,FXD,FOIL:0.25 OHM,5%	80009	307-0593-00
A11R28	315-0201-00		RES.,FXD,CMPSN:200 OHM,5%,0.25W	01121	CB2015
A11R30	315-0201-00		RES.,FXD,CMPSN:200 OHM,5%,0.25W	01121	CB2015
A11R35	307-0551-01		RES NTWK,THK FI:YOKE TERMINATION	80009	307-0551-01
A11R40	315-0201-00		RES.,FXD,CMPSN:200 OHM,5%,0.25W	01121	CB2015
A11R42	315-0201-00		RES.,FXD,CMPSN:200 OHM,5%,0.25W	01121	CB2015
A11R45	307-0593-00		RES.,FXD,FOIL:0.25 OHM,5%	80009	307-0593-00
A11R60	311-1241-00		RES.,VAR,NONWIR:100K OHM,10%,0.5W	32997	3386X-T07-104
A11R61	315-0101-00		RES.,FXD,CMPSN:100 OHM,5%,0.25W	01121	CB1015
A11R63	315-0101-00		RES.,FXD,CMPSN:100 OHM,5%,0.25W	01121	CB1015
A11R71	315-0363-00		RES.,FXD,CMPSN:36K OHM,5%,0.25W	01121	CB3635
A11R73	321-0286-00		RES.,FXD,FILM:9.31K OHM,1%,0.125W	91637	MFF1816G93100F
A11R75	315-0102-00		RES.,FXD,CMPSN:1K OHM,5%,0.25W	01121	CB1025
A11R76	315-0221-00		RES.,FXD,CMPSN:220 OHM,5%,0.25W	01121	CB2215
A11R78	315-0221-00		RES.,FXD,CMPSN:220 OHM,5%,0.25W	01121	CB2215
A11R81	315-0220-00		RES.,FXD,CMPSN:22 OHM,5%,0.25W	01121	CB2205
A11R83	315-0102-00		RES.,FXD,CMPSN:1K OHM,5%,0.25W	01121	CB1025
A11R85	315-0102-00		RES.,FXD,CMPSN:1K OHM,5%,0.25W	01121	CB1025
A11R87	315-0102-00		RES.,FXD,CMPSN:1K OHM,5%,0.25W	01121	CB1025
A11R89	315-0102-00		RES.,FXD,CMPSN:1K OHM,5%,0.25W	01121	CB1025
A11R90	315-0101-00		RES.,FXD,CMPSN:100 OHM,5%,0.25W	01121	CB1015
A11R91	321-0304-00		RES.,FXD,FILM:14.3K OHM,1%,0.125W	91637	MFF1816G14301F
A11R92	315-0102-00		RES.,FXD,CMPSN:1K OHM,5%,0.25W	01121	CB1025
A11R96	315-0101-00		RES.,FXD,CMPSN:100 OHM,5%,0.25W	01121	CB1015
A11R98	315-0101-00		RES.,FXD,CMPSN:100 OHM,5%,0.25W	01121	CB1015
A11R101	321-0289-00		RES.,FXD,FILM:10K OHM,1%,0.125W	91637	MFF1816G10001F
A11R102	321-0277-00		RES.,FXD,FILM:7.5K OHM,1%,0.125W	91637	MFF1816G75000F
A11R106	321-0141-00		RES.,FXD,FILM:287 OHM,1%,0.125W	91637	MFF1816G287R0F
A11R107	321-0330-00		RES.,FXD,FILM:26.7K OHM,1%,0.125W	91637	MFF1816G26701F
A11R108	321-0205-00		RES.,FXD,FILM:1.33K OHM,1%,0.125W	91637	MFF1816G13300F
A11R109	321-0141-00		RES.,FXD,FILM:287 OHM,1%,0.125W	91637	MFF1816G287R0F

REPLACEABLE ELECTRICAL PARTS

DEFLECTION AMPLIFIER (CONT)

Component No.	Tektronix Part No.	Serial/Model No. Eff Dscont	Name & Description	Mfr Code	Mfr Part Number
A11R110	311-1245-00		RES., VAR, NONWIR: 10K OHM, 10%, 0.50W	73138	72-28-0
A11R123	321-0112-00		RES., FXD, FILM: 143 OHM, 1%, 0.125W	91637	MFF1816G143ROF
A11R125	311-1244-00		RES., VAR, NONWIR: 100 OHM, 10%, 0.50W	32997	3386X-T07-101
A11R127	321-0167-00		RES., FXD, FILM: 536 OHM, 1%, 0.125W	91637	MFF1816G536ROF
A11R128	315-0433-00		RES., FXD, CMPSN: 43K OHM, 5%, 0.25W	01121	CB4335
A11R129	315-0564-00		RES., FXD, CMPSN: 560K OHM, 5%, 0.25W	01121	CB5645
A11R135	315-0104-00		RES., FXD, CMPSN: 100K OHM, 5%, 0.25W	01121	CB1045
A11R140	321-0172-00		RES., FXD, FILM: 604 OHM, 1%, 0.125W	91637	MFF1816G604ROF
A11R142	315-0433-00		RES., FXD, CMPSN: 43K OHM, 5%, 0.25W	01121	CB4335
A11R143	315-0224-00		RES., FXD, CMPSN: 220K OHM, 5%, 0.25W	01121	CB2245
A11R145	315-0104-00		RES., FXD, CMPSN: 100K OHM, 5%, 0.25W	01121	CB1045
A11R146	321-0171-00		RES., FXD, FILM: 590 OHM, 1%, 0.125W	91637	MFF1816G590ROF
A11R147	321-0175-00		RES., FXD, FILM: 649 OHM, 1%, 0.125W	91637	MFF1816G649ROF
A11R149	321-0112-00		RES., FXD, FILM: 143 OHM, 1%, 0.125W	91637	MFF1816G143ROF
A11R150	311-1244-00		RES., VAR, NONWIR: 100 OHM, 10%, 0.50W	32997	3386X-T07-101
A11R160	311-1241-00		RES., VAR, NONWIR: 100K OHM, 10%, 0.5W	32997	3386X-T07-104
A11R167	321-0289-00		RES., FXD, FILM: 10K OHM, 1%, 0.125W	91637	MFF1816G10001F
A11R169	321-0289-00		RES., FXD, FILM: 10K OHM, 1%, 0.125W	91637	MFF1816G10001F
A11R170	315-0221-00		RES., FXD, CMPSN: 220 OHM, 5%, 0.25W	01121	CB2215
A11R172	315-0221-00		RES., FXD, CMPSN: 220 OHM, 5%, 0.25W	01121	CB2215
A11R175	315-0102-00		RES., FXD, CMPSN: 1K OHM, 5%, 0.25W	01121	CB1025
A11R178	315-0363-00		RES., FXD, CMPSN: 36K OHM, 5%, 0.25W	01121	CB3635
A11R179	321-0286-00		RES., FXD, FILM: 9.31K OHM, 1%, 0.125W	91637	MFF1816G93100F
A11R180	315-0220-00		RES., FXD, CMPSN: 22 OHM, 5%, 0.25W	01121	CB2205
A11R183	315-0220-00		RES., FXD, CMPSN: 22 OHM, 5%, 0.25W	01121	CB2205
A11R185	315-0102-00		RES., FXD, CMPSN: 1K OHM, 5%, 0.25W	01121	CB1025
A11R187	315-0102-00		RES., FXD, CMPSN: 1K OHM, 5%, 0.25W	01121	CB1025
A11R189	315-0102-00		RES., FXD, CMPSN: 1K OHM, 5%, 0.25W	01121	CB1025
A11R191	321-0371-00		RES., FXD, FILM: 71.5K OHM, 1%, 0.125W	91637	MFF1816G71501F
A11R194	315-0182-00		RES., FXD, CMPSN: 1.8K OHM, 5%, 0.25W	01121	CB1825
A11R195	315-0101-00		RES., FXD, CMPSN: 100 OHM, 5%, 0.25W	01121	CB1015
A11R196	315-0102-00		RES., FXD, CMPSN: 1K OHM, 5%, 0.25W	01121	CB1025
A11R197	315-0102-00		RES., FXD, CMPSN: 1K OHM, 5%, 0.25W	01121	CB1025
A11R198	315-0220-00		RES., FXD, CMPSN: 22 OHM, 5%, 0.25W	01121	CB2205
A11R199	315-0103-00		RES., FXD, CMPSN: 10K OHM, 5%, 0.25W	01121	CB1035
A11R201	321-0193-00		RES., FXD, FILM: 1K OHM, 1%, 0.125W	91637	MFF1816G10000F
A11R202	321-0193-00		RES., FXD, FILM: 1K OHM, 1%, 0.125W	91637	MFF1816G10000F
A11R203	321-0229-00		RES., FXD, FILM: 2.37K OHM, 1%, 0.125W	91637	MFF1816G23700F
A11R204	315-0103-00		RES., FXD, CMPSN: 10K OHM, 5%, 0.25W	01121	CB1035
A11R205	315-0101-00		RES., FXD, CMPSN: 100 OHM, 5%, 0.25W	01121	CB1015
A11R206	315-0103-00		RES., FXD, CMPSN: 10K OHM, 5%, 0.25W	01121	CB1035
A11R208	315-0101-00		RES., FXD, CMPSN: 100 OHM, 5%, 0.25W	01121	CB1015
A11R209	315-0103-00		RES., FXD, CMPSN: 10K OHM, 5%, 0.25W	01121	CB1035
A11R210	315-0101-00		RES., FXD, CMPSN: 100 OHM, 5%, 0.25W	01121	CB1015
A11R211	315-0103-00		RES., FXD, CMPSN: 10K OHM, 5%, 0.25W	01121	CB1035
A11R212	315-0101-00		RES., FXD, CMPSN: 100 OHM, 5%, 0.25W	01121	CB1015
A11R213	315-0102-00		RES., FXD, CMPSN: 1K OHM, 5%, 0.25W	01121	CB1025
A11R221	311-1246-00		RES., VAR, NONWIR: 50K OHM, 10%, 0.50W	02111	63X-503-T602
A11R222	311-1245-00		RES., VAR, NONWIR: 10K OHM, 10%, 0.50W	73138	72-28-0
A11R225	311-1238-00		RES., VAR, NONWIR: 5K OHM, 10%, 0.50W	73138	72X-27-0-502K
A11R228	311-1238-00		RES., VAR, NONWIR: 5K OHM, 10%, 0.50W	73138	72X-27-0-502K
A11R231	315-0102-00		RES., FXD, CMPSN: 1K OHM, 5%, 0.25W	01121	CB1025
A11R232	315-0102-00		RES., FXD, CMPSN: 1K OHM, 5%, 0.25W	01121	CB1025
A11R240	315-0561-00		RES., FXD, CMPSN: 560 OHM, 5%, 0.25W	01121	CB5615
A11R260	315-0561-00		RES., FXD, CMPSN: 560 OHM, 5%, 0.25W	01121	CB5615
A11R273	315-0203-00		RES., FXD, CMPSN: 20K OHM, 5%, 0.25W	01121	CB2035
A11R274	315-0203-00		RES., FXD, CMPSN: 20K OHM, 5%, 0.25W	01121	CB2035

REPLACEABLE ELECTRICAL PARTS

DEFLECTION AMPLIFIER (CONT)

Component No.	Tektronix Part No.	Serial/Model No. Eff Dscont	Name & Description	Mfr Code	Mfr Part Number
A11R283	315-0203-00		RES.,FXD,CMPSN:20K OHM,5%,0.25W	01121	CB2035
A11R284	315-0203-00		RES.,FXD,CMPSN:20K OHM,5%,0.25W	01121	CB2035
A11R293	315-0101-00		RES.,FXD,CMPSN:100 OHM,5%,0.25W	01121	CB1015
A11R294	315-0101-00		RES.,FXD,CMPSN:100 OHM,5%,0.25W	01121	CB1015
A11R295	315-0103-00		RES.,FXD,CMPSN:10K OHM,5%,0.25W	01121	CB1035
A11R296	321-0193-00		RES.,FXD,FILM:1K OHM,1%,0.125W	91637	MFF1816G10000F
A11R300	315-0682-00		RES.,FXD,CMPSN:6.8K OHM,5%,0.25W	01121	CB6825
A11R301	315-0362-00		RES.,FXD,CMPSN:3.6K OHM,5%,0.25W	01121	CB3625
A11R303	315-0101-00		RES.,FXD,CMPSN:100 OHM,5%,0.25W	01121	CB1015
A11R304	315-0101-00		RES.,FXD,CMPSN:100 OHM,5%,0.25W	01121	CB1015
A11R305	315-0511-00		RES.,FXD,CMPSN:510 OHM,5%,0.25W	01121	CB5115
A11R306	315-0101-00		RES.,FXD,CMPSN:100 OHM,5%,0.25W	01121	CB1015
A11R307	315-0101-00		RES.,FXD,CMPSN:100 OHM,5%,0.25W	01121	CB1015
A11R309	315-0122-00		RES.,FXD,CMPSN:1.2K OHM,5%,0.25W	01121	CB1225
A11R310	315-0122-00		RES.,FXD,CMPSN:1.2K OHM,5%,0.25W	01121	CB1225
A11R325	311-1238-00		RES.,VAR,NONWIR:5K OHM,10%,0.50W	73138	72X-27-0-502K
A11R326	321-0277-00		RES.,FXD,FILM:7.5K OHM,1%,0.125W	91637	MFF1816G75000F
A11R327	321-0289-00		RES.,FXD,FILM:10K OHM,1%,0.125W	91637	MFF1816G10001F
A11R328	311-1245-00		RES.,VAR,NONWIR:10K OHM,10%,0.50W	73138	72-28-0
A11R329	321-0330-00		RES.,FXD,FILM:26.7K OHM,1%,0.125W	91637	MFF1816G26701F
A11R330	321-0280-00		RES.,FXD,FILM:8.06K OHM,1%,0.125W	91637	MFF1816G80600F
A11R332	321-0312-00		RES.,FXD,FILM:17.4K OHM,1%,0.125W	91637	MFF1816G17401F
A11R333	321-0397-00		RES.,FXD,FILM:133K OHM,1%,0.125W	91637	MFF1816G13302F
A11R335	321-0332-00		RES.,FXD,FILM:28K OHM,1%,0.125W	91637	MFF1816G28001F
A11R337	321-0369-00		RES.,FXD,FILM:68.1K OHM,1%,0.125W	91637	MFF1816G68101F
A11R339	321-0284-00		RES.,FXD,FILM:8.87K OHM,1%,0.125W	91637	MFF1816G88700F
A11R340	315-0114-00		RES.,FXD,CMPSN:110K OHM,5%,0.25W	01121	CB1145
A11R341	315-0104-00		RES.,FXD,CMPSN:100K OHM,5%,0.25W	01121	CB1045
A11R343	315-0304-00		RES.,FXD,CMPSN:300K OHM,5%,0.25W	01121	CB3045
A11R344	315-0103-00		RES.,FXD,CMPSN:10K OHM,5%,0.25W	01121	CB1035
A11R348	315-0104-00		RES.,FXD,CMPSN:100K OHM,5%,0.25W	01121	CB1045
A11R350	315-0104-00		RES.,FXD,CMPSN:100K OHM,5%,0.25W	01121	CB1045
A11R360	315-0114-00		RES.,FXD,CMPSN:110K OHM,5%,0.25W	01121	CB1145
A11R361	315-0104-00		RES.,FXD,CMPSN:100K OHM,5%,0.25W	01121	CB1045
A11R363	315-0304-00		RES.,FXD,CMPSN:300K OHM,5%,0.25W	01121	CB3045
A11R364	315-0103-00		RES.,FXD,CMPSN:10K OHM,5%,0.25W	01121	CB1035
A11R367	315-0104-00		RES.,FXD,CMPSN:100K OHM,5%,0.25W	01121	CB1045
A11R368	315-0104-00		RES.,FXD,CMPSN:100K OHM,5%,0.25W	01121	CB1045
A11R370	315-0103-00		RES.,FXD,CMPSN:10K OHM,5%,0.25W	01121	CB1035
A11R371	315-0154-00		RES.,FXD,CMPSN:150K OHM,5%,0.25W	01121	CB1545
A11R373	315-0154-00		RES.,FXD,CMPSN:150K OHM,5%,0.25W	01121	CB1545
A11R376	315-0472-00		RES.,FXD,CMPSN:4.7K OHM,5%,0.25W	01121	CB4725
A11R380	315-0103-00		RES.,FXD,CMPSN:10K OHM,5%,0.25W	01121	CB1035
A11R381	315-0154-00		RES.,FXD,CMPSN:150K OHM,5%,0.25W	01121	CB1545
A11R383	315-0154-00		RES.,FXD,CMPSN:150K OHM,5%,0.25W	01121	CB1545
A11R386	315-0472-00		RES.,FXD,CMPSN:4.7K OHM,5%,0.25W	01121	CB4725
A11R389	315-0203-00		RES.,FXD,CMPSN:20K OHM,5%,0.25W	01121	CB2035
A11R392	315-0222-00		RES.,FXD,CMPSN:2.2K OHM,5%,0.25W	01121	CB2225
A11R393	315-0103-00		RES.,FXD,CMPSN:10K OHM,5%,0.25W	01121	CB1035
A11R394	315-0153-00		RES.,FXD,CMPSN:15K OHM,5%,0.25W	01121	CB1535
A11R395	315-0272-00		RES.,FXD,CMPSN:2.7K OHM,5%,0.25W	01121	CB2725
A11R396	315-0364-00		RES.,FXD,CMPSN:360K OHM,5%,0.25W	01121	CB3645
A11R397	315-0302-00		RES.,FXD,CMPSN:3K OHM,5%,0.25W	01121	CB3025
A11R398	315-0432-00		RES.,FXD,CMPSN:4.3K OHM,5%,0.25W	01121	CB4325
A11R399	315-0203-00		RES.,FXD,CMPSN:20K OHM,5%,0.25W	01121	CB2035
A11R494	315-0512-00		RES.,FXD,CMPSN:5.1K OHM,5%,0.25W	01121	CB5125
A11R495	315-0102-00		RES.,FXD,CMPSN:1K OHM,5%,0.25W	01121	CB1025

REPLACEABLE ELECTRICAL PARTS

DEFLECTION AMPLIFIER (CONT)

Component No.	Tektronix Part No.	Serial/Model No. Eff Dscont	Name & Description	Mfr Code	Mfr Part Number
A11R496	315-0303-00		RES.,FXD,CMPSN:30K OHM,5%,0.25W	01121	CB3035
A11R497	315-0303-00		RES.,FXD,CMPSN:30K OHM,5%,0.25W	01121	CB3035
A11R498	315-0364-00		RES.,FXD,CMPSN:360K OHM,5%,0.25W	01121	CB3645
A11R499	315-0512-00		RES.,FXD,CMPSN:5.1K OHM,5%,0.25W	01121	CB5125
A11U65	156-0742-00		MICROCIRCUIT,LI:OPERATIONAL AMPLIFIER	80009	156-0742-00
A11U95	156-0733-00		MICROCIRCUIT,DI:DUAL MONOSTABLE MV	80009	156-0733-00
A11U165	156-0742-00		MICROCIRCUIT,LI:OPERATIONAL AMPLIFIER	80009	156-0742-00
A11U225	155-0154-00		MICROCIRCUIT,LI:CHANNEL SWITCH	80009	155-0154-00
A11U230	155-0152-00		MICROCIRCUIT,LI:GEOMETRY & FOCUS CORR	80009	155-0152-00
A11U245	156-0742-00		MICROCIRCUIT,LI:OPERATIONAL AMPLIFIER	80009	156-0742-00
A11U265	156-0742-00		MICROCIRCUIT,LI:OPERATIONAL AMPLIFIER	80009	156-0742-00
A11U275	156-0742-00		MICROCIRCUIT,LI:OPERATIONAL AMPLIFIER	80009	156-0742-00
A11U285	156-0742-00		MICROCIRCUIT,LI:OPERATIONAL AMPLIFIER	80009	156-0742-00
A11U291	156-0742-00		MICROCIRCUIT,LI:OPERATIONAL AMPLIFIER	80009	156-0742-00
A11U295	156-0013-00		MICROCIRCUIT,DI:DIFF COMPARATOR	80009	156-0013-00
A11U297	156-0072-00		MICROCIRCUIT,DI:MONOSTABLE MV,TTL,14 DIP	80009	156-0072-00
A11VR103	152-0166-00		SEMICONV DEVICE:ZENER,0.4W,6.2V,5%	80009	152-0166-00
A11VR104	152-0166-00		SEMICONV DEVICE:ZENER,0.4W,6.2V,5%	80009	152-0166-00
A11VR285	152-0195-00		SEMICONV DEVICE:ZENER,0.4W,5.1V,5%	80009	152-0195-00
A11VR347	152-0195-00		SEMICONV DEVICE:ZENER,0.4W,5.1V,5%	80009	152-0195-00
A11VR349	152-0195-00		SEMICONV DEVICE:ZENER,0.4W,5.1V,5%	80009	152-0195-00
A11VR367	152-0195-00		SEMICONV DEVICE:ZENER,0.4W,5.1V,5%	80009	152-0195-00
A11VR369	152-0195-00		SEMICONV DEVICE:ZENER,0.4W,5.1V,5%	80009	152-0195-00
A11VR493	152-0149-00		SEMICONV DEVICE:ZENER,0.4W,10V,5%	80009	152-0149-00

REPLACEABLE ELECTRICAL PARTS

Component No.	Tektronix Part No.	Serial/Model No. Eff Dscnt	Name & Description	Mfr Code	Mfr Part Number
A12 STORAGE					
A12	672-0795-00		CKT BOARD ASSY:STORAGE	80009	672-0795-00
A12C9	290-0301-00		CAP., FXD, ELCTLT: 10UF, 10%, 20V	56289	150D106X9020B2
A12C11	290-0301-00		CAP., FXD, ELCTLT: 10UF, 10%, 20V	56289	150D106X9020B2
A12C13	290-0301-00		CAP., FXD, ELCTLT: 10UF, 10%, 20V	56289	150D106X9020B2
A12C15	283-0002-00		CAP., FXD, CER DI: 0.01UF, +80-20%, 500V	72982	811-546E103Z
A12C18	283-0013-00		CAP., FXD, CER DI: 0.01UF, +100-0%, 1000V	56289	33C29A7
A12C37	283-0279-00		CAP., FXD, CER DI: 0.001UF, 20%, 3000V	56289	55C153
A12C67	281-0623-00		CAP., FXD, CER DI: 650PF, 5%, 500V	04222	7001-1362
A12C78	281-0603-00		CAP., FXD, CER DI: 39PF, 5%, 500V	72982	308-000C0G0390J
A12C109	281-0773-00		CAP., FXD, CER DI: 0.01UF, 10%, 100V	72982	8005H9AADW5R103K
A12C110	281-0775-00		CAP., FXD, CER DI: 0.1UF, 20%, 50V	72982	8005D9AABZ5U104M
A12C120	281-0812-00		CAP., FXD, CER DI: 1000PF, 10%, 100V	72982	8035D9AADX7R102K
A12C121	281-0812-00		CAP., FXD, CER DI: 1000PF, 10%, 100V	72982	8035D9AADX7R102K
A12C125	281-0775-00		CAP., FXD, CER DI: 0.1UF, 20%, 50V	72982	8005D9AABZ5U104M
A12C126	281-0773-00		CAP., FXD, CER DI: 0.01UF, 10%, 100V	72982	8005H9AADW5R103K
A12C130	290-0301-00		CAP., FXD, ELCTLT: 10UF, 10%, 20V	56289	150D106X9020B2
A12C132	281-0812-00		CAP., FXD, CER DI: 1000PF, 10%, 100V	72982	8035D9AADX7R102K
A12C135	281-0775-00		CAP., FXD, CER DI: 0.1UF, 20%, 50V	72982	8005D9AABZ5U104M
A12C143	290-0297-00		CAP., FXD, ELCTLT: 39UF, 10%, 10V	56289	150D396X9010B2
A12C153	281-0775-00		CAP., FXD, CER DI: 0.1UF, 20%, 50V	72982	8005D9AABZ5U104M
A12C159	290-0297-00		CAP., FXD, ELCTLT: 39UF, 10%, 10V	56289	150D396X9010B2
A12C164	281-0775-00		CAP., FXD, CER DI: 0.1UF, 20%, 50V	72982	8005D9AABZ5U104M
A12C165	281-0812-00		CAP., FXD, CER DI: 1000PF, 10%, 100V	72982	8035D9AADX7R102K
A12C168	290-0297-00		CAP., FXD, ELCTLT: 39UF, 10%, 10V	56289	150D396X9010B2
A12C171	290-0183-00		CAP., FXD, ELCTLT: 1UF, 10%, 35V	90201	TAE105K035P1A
A12C178	290-0301-00		CAP., FXD, ELCTLT: 10UF, 10%, 20V	56289	150D106X9020B2
A12C209	290-0288-00		CAP., FXD, ELCTLT: 0.27UF, 10%, 35V	56289	162D274X9015BD2
A12C214	281-0767-00		CAP., FXD, CER DI: 330PF, 20%, 100V	12969	CGB331MEX
A12C215	281-0775-00		CAP., FXD, CER DI: 0.1UF, 20%, 50V	72982	8005D9AABZ5U104M
A12C225	281-0775-00		CAP., FXD, CER DI: 0.1UF, 20%, 50V	72982	8005D9AABZ5U104M
A12C226	281-0773-00		CAP., FXD, CER DI: 0.01UF, 10%, 100V	72982	8005H9AADW5R103K
A12C227	281-0775-00		CAP., FXD, CER DI: 0.1UF, 20%, 50V	72982	8005D9AABZ5U104M
A12C245	281-0812-00		CAP., FXD, CER DI: 1000PF, 10%, 100V	72982	8035D9AADX7R102K
A12C281	290-0263-00		CAP., FXD, ELCTLT: 2.7UF, 15V	56289	152-0107-00
A12C282	290-0183-00		CAP., FXD, ELCTLT: 1UF, 10%, 35V	90201	TAE105K035P1A
A12C288	290-0301-00		CAP., FXD, ELCTLT: 10UF, 10%, 20V	56289	150D106X9020B2
A12C345	281-0812-00		CAP., FXD, CER DI: 1000PF, 10%, 100V	72982	8035D9AADX7R102K
A12C346	281-0812-00		CAP., FXD, CER DI: 1000PF, 10%, 100V	72982	8035D9AADX7R102K
A12C347	281-0812-00		CAP., FXD, CER DI: 1000PF, 10%, 100V	72982	8035D9AADX7R102K
A12CR32	152-0107-00		SEMICONV DEVICE: SILICON, 400V, 400MA	80009	152-0107-00
A12CR70	152-0333-00		SEMICONV DEVICE: SILICON, 55V, 200MA	80009	152-0333-00
A12CR80	152-0333-00		SEMICONV DEVICE: SILICON, 55V, 200MA	80009	152-0333-00
A12CR86	152-0333-00		SEMICONV DEVICE: SILICON, 55V, 200MA	80009	152-0333-00
A12CR114	152-0333-00		SEMICONV DEVICE: SILICON, 55V, 200MA	80009	152-0333-00
A12CR124	152-0333-00		SEMICONV DEVICE: SILICON, 55V, 200MA	80009	152-0333-00
A12CR186	152-0333-00		SEMICONV DEVICE: SILICON, 55V, 200MA	80009	152-0333-00
A12CR221	152-0333-00		SEMICONV DEVICE: SILICON, 55V, 200MA	80009	152-0333-00
A12CR238	152-0075-00		SEMICONV DEVICE: GE, 25V, 40MA	14433	G866
A12CR243	152-0075-00		SEMICONV DEVICE: GE, 25V, 40MA	14433	G866
A12CR250	152-0075-00		SEMICONV DEVICE: GE, 25V, 40MA	14433	G866
A12CR273	152-0333-00		SEMICONV DEVICE: SILICON, 55V, 200MA	80009	152-0333-00
A12CR278	152-0333-00		SEMICONV DEVICE: SILICON, 55V, 200MA	80009	152-0333-00
A12CR288	152-0333-00		SEMICONV DEVICE: SILICON, 55V, 200MA	80009	152-0333-00
A12M365	149-0030-00		METER, T TOTLZ: ELAPSED TIME, DC, CKT BD MT	18583	120-LC
A12M366	149-0030-00		METER, T TOTLZ: ELAPSED TIME, DC, CKT BD MT	18583	120-LC

REPLACEABLE ELECTRICAL PARTS

STORAGE (CONT)

Component No.	Tektronix Part No.	Serial/Model No. Eff Dscnt	Name & Description	Mfr Code	Mfr Part Number
A12Q15	151-0423-00		TRANSISTOR:SILICON,NPN	01295	EP2970
A12Q25	152-0423-00		SEMICON D DEVICE:SILICON,400V,3A	04713	1N5000
A12Q28	152-0169-00		SEMICON D DEVICE:TUNNEL,1MA,10PF	83508	1N3712
A12Q29	151-0169-00		TRANSISTOR:SILICON,NPN	80009	151-0169-00
A12Q35	151-0423-00		TRANSISTOR:SILICON,NPN	01295	EP2970
A12Q36	151-0169-00		TRANSISTOR:SILICON,NPN	80009	151-0169-00
A12Q38	151-0188-00		TRANSISTOR:SILICON,PNP	80009	151-0188-00
A12Q45	151-0423-00		TRANSISTOR:SILICON,NPN	01295	EP2970
A12Q55	151-0423-00		TRANSISTOR:SILICON,NPN	01295	EP2970
A12Q65	151-0423-00		TRANSISTOR:SILICON,NPN	01295	EP2970
A12Q66	151-0169-00		TRANSISTOR:SILICON,NPN	80009	151-0169-00
A12Q68	151-0169-00		TRANSISTOR:SILICON,NPN	80009	151-0169-00
A12Q75	151-0423-00		TRANSISTOR:SILICON,NPN	01295	EP2970
A12Q84	151-0169-00		TRANSISTOR:SILICON,NPN	80009	151-0169-00
A12Q85	151-0423-00		TRANSISTOR:SILICON,NPN	01295	EP2970
A12Q86	151-0169-00		TRANSISTOR:SILICON,NPN	80009	151-0169-00
A12Q185	151-0188-00		TRANSISTOR:SILICON,PNP	80009	151-0188-00
A12Q186	151-0188-00		TRANSISTOR:SILICON,PNP	80009	151-0188-00
A12Q190	151-0254-00		TRANSISTOR:SILICON,NPN	80009	151-0254-00
A12Q261	151-0188-00		TRANSISTOR:SILICON,PNP	80009	151-0188-00
A12Q264	151-0188-00		TRANSISTOR:SILICON,PNP	80009	151-0188-00
A12Q265	151-0190-00		TRANSISTOR:SILICON,NPN	07263	S032677
A12Q269	151-0188-00		TRANSISTOR:SILICON,NPN	80009	151-0188-00
A12Q270	151-0190-00		TRANSISTOR:SILICON,NPN	07263	S032677
A12Q275	151-0188-00		TRANSISTOR:SILICON,PNP	80009	151-0188-00
A12Q276	151-0190-00		TRANSISTOR:SILICON,NPN	07263	S032677
A12Q290	151-0254-00		TRANSISTOR:SILICON,NPN	80009	151-0254-00
A12Q335	151-0190-00		TRANSISTOR:SILICON,NPN	07263	S032677
A12Q350	151-0190-00		TRANSISTOR:SILICON,NPN	07263	S032677
A12R8	307-0103-00		RES.,FXD,CMPSN:2.7 OHM,5%,0.25W	01121	CB2765
A12R9	307-0103-00		RES.,FXD,CMPSN:2.7 OHM,5%,0.25W	01121	CB2765
A12R14	315-0100-02		RES.,FXD,CMPSN:10 OHM,5%,0.25W	01121	CB1005
A12R15	315-0100-02		RES.,FXD,CMPSN:10 OHM,5%,0.25W	01121	CB1005
A12R18	315-0100-02		RES.,FXD,CMPSN:10 OHM,5%,0.25W	01121	CB1005
A12R23	315-0101-00		RES.,FXD,CMPSN:100 OHM,5%,0.25W	01121	CB1015
A12R26	315-0101-00		RES.,FXD,CMPSN:100 OHM,5%,0.25W	01121	CB1015
A12R27	315-0101-00		RES.,FXD,CMPSN:100 OHM,5%,0.25W	01121	CB1015
A12R30	315-0101-00		RES.,FXD,CMPSN:100 OHM,5%,0.25W	01121	CB1015
A12R37	315-0562-00		RES.,FXD,CMPSN:5.6K OHM,5%,0.25W	01121	CB5625
A12R38	315-0101-00		RES.,FXD,CMPSN:100 OHM,5%,0.25W	01121	CB1015
A12R40	304-0184-00		RES.,FXD,CMPSN:180K OHM,10%,1W	01121	GB1841
A12R43	305-0203-00		RES.,FXD,CMPSN:20K OHM,5%,2W	01121	HB2035
A12R46	305-0203-00		RES.,FXD,CMPSN:20K OHM,5%,2W	01121	HB2035
A12R50	305-0203-00		RES.,FXD,CMPSN:20K OHM,5%,2W	01121	HB2035
A12R53	305-0203-00		RES.,FXD,CMPSN:20K OHM,5%,2W	01121	HB2035
A12R56	323-0459-00		RES.,FXD,FILM:590K OHM,1%,0.50W	91637	MFF1226G59002F
A12R59	315-0472-00		RES.,FXD,CMPSN:4.7K OHM,5%,0.25W	01121	CB4725
A12R60	315-0100-02		RES.,FXD,CMPSN:10 OHM,5%,0.25W	01121	CB1005
A12R61	315-0102-00		RES.,FXD,CMPSN:1K OHM,5%,0.25W	01121	CB1025
A12R62	315-0100-02		RES.,FXD,CMPSN:10 OHM,5%,0.25W	01121	CB1005
A12R63	315-0512-00		RES.,FXD,CMPSN:5.1K OHM,5%,0.25W	01121	CB5125
A12R64	315-0101-00		RES.,FXD,CMPSN:100 OHM,5%,0.25W	01121	CB1015
A12R70	315-0102-00		RES.,FXD,CMPSN:1K OHM,5%,0.25W	01121	CB1025
A12R72	301-0224-00		RES.,FXD,CMPSN:220K OHM,5%,0.50W	01121	EB2245
A12R74	323-0429-00		RES.,FXD,FILM:287K OHM,1%,0.5W	91637	MFF1226G28702F
A12R76	323-0429-00		RES.,FXD,FILM:287K OHM,1%,0.5W	91637	MFF1226G28702F
A12R78	301-0224-00		RES.,FXD,CMPSN:220K OHM,5%,0.50W	01121	EB2245

REPLACEABLE ELECTRICAL PARTS

STORAGE (CONT)

Component No.	Tektronix Part No.	Serial/Model No. Eff Dscont	Name & Description	Mfr Code	Mfr Part Number
A12R86	315-0102-00		RES.,FXD,CMPSN:1K OHM,5%,0.25W	01121	CB1025
A12R88	315-0103-00		RES.,FXD,CMPSN:10K OHM,5%,0.25W	01121	CB1035
A12R89	315-0101-00		RES.,FXD,CMPSN:100 OHM,5%,0.25W	01121	CB1015
A12R90	305-0823-00		RES.,FXD,CMPSN:82K OHM,5%,2W	01121	HB8235
A12R93	323-0381-00		RES.,FXD,FILM:90.9K OHM,1%,0.50W	75042	CECT0-9092F
A12R95	311-1940-00		RES.,VAR,NONWIR:TRMR,200K OHM,10%	73138	72-206-0
A12R109	315-0472-00		RES.,FXD,CMPSN:4.7K OHM,5%,0.25W	01121	CB4725
A12R110	315-0472-00		RES.,FXD,CMPSN:4.7K OHM,5%,0.25W	01121	CB4725
A12R112	315-0511-00		RES.,FXD,CMPSN:510 OHM,5%,0.25W	01121	CB5115
A12R114	315-0391-00		RES.,FXD,CMPSN:390 OHM,5%,0.25W	01121	CB3915
A12R125	315-0392-00		RES.,FXD,CMPSN:3.9K OHM,5%,0.25W	01121	CB3925
A12R126	315-0512-00		RES.,FXD,CMPSN:5.1K OHM,5%,0.25W	01121	CB5125
A12R127	315-0514-00		RES.,FXD,CMPSN:510K OHM,5%,0.25W	01121	CB5145
A12R129	315-0224-00		RES.,FXD,CMPSN:220K OHM,5%,0.25W	01121	CB2245
A12R132	321-0333-00		RES.,FXD,FILM:28.7K OHM,1%,0.125W	91637	MFF1816G28701F
A12R135	315-0102-00		RES.,FXD,CMPSN:1K OHM,5%,0.25W	01121	CB1025
A12R136	315-0102-00		RES.,FXD,CMPSN:1K OHM,5%,0.25W	01121	CB1025
A12R145	321-0334-00		RES.,FXD,FILM:29.4K OHM,1%,0.125W	91637	MFF1816G29401F
A12R146	315-0472-00		RES.,FXD,CMPSN:4.7K OHM,5%,0.25W	01121	CB4725
A12R147	315-0472-00		RES.,FXD,CMPSN:4.7K OHM,5%,0.25W	01121	CB4725
A12R154	315-0472-00		RES.,FXD,CMPSN:4.7K OHM,5%,0.25W	01121	CB4725
A12R156	321-0328-00		RES.,FXD,FILM:25.5K OHM,1%,0.125W	91637	MFF1816G25501F
A12R157	315-0101-00		RES.,FXD,CMPSN:100 OHM,5%,0.25W	01121	CB1015
A12R169	321-0334-00		RES.,FXD,FILM:29.4K OHM,1%,0.125W	91637	MFF1816G29401F
A12R174	315-0102-00		RES.,FXD,CMPSN:1K OHM,5%,0.25W	01121	CB1025
A12R175	321-0237-00		RES.,FXD,FILM:2.87K OHM,1%,0.125W	91637	MFF1816G28700F
A12R180	321-0304-00		RES.,FXD,FILM:14.3K OHM,1%,0.125W	91637	MFF1816G14301F
A12R181	315-0101-00		RES.,FXD,CMPSN:100 OHM,5%,0.25W	01121	CB1015
A12R183	315-0101-00		RES.,FXD,CMPSN:100 OHM,5%,0.25W	01121	CB1015
A12R185	315-0103-00		RES.,FXD,CMPSN:10K OHM,5%,0.25W	01121	CB1035
A12R186	315-0105-00		RES.,FXD,CMPSN:1M OHM,5%,0.25W	01121	CB1055
A12R187	321-0311-00		RES.,FXD,FILM:16.9K OHM,1%,0.125W	91637	MFF1816G16901F
A12R188	321-0282-00		RES.,FXD,FILM:8.45K OHM,1%,0.125W	91637	MFF1816G84500F
A12R189	315-0562-00		RES.,FXD,CMPSN:5.6K OHM,5%,0.25W	01121	CB5625
A12R190	321-0282-00		RES.,FXD,FILM:8.45K OHM,1%,0.125W	91637	MFF1816G84500F
A12R191	321-0316-00		RES.,FXD,FILM:19.1K OHM,1%,0.125W	91637	MFF1816G19101F
A12R192	321-0222-00		RES.,FXD,FILM:2K OHM,1%,0.125W	91637	MFF1816G20000F
A12R193	321-0316-00		RES.,FXD,FILM:19.1K OHM,1%,0.125W	91637	MFF1816G19101F
A12R194	321-0316-00		RES.,FXD,FILM:19.1K OHM,1%,0.125W	91637	MFF1816G19101F
A12R195	311-1940-00		RES.,VAR,NONWIR:TRMR,200K OHM,10%	73138	72-206-0
A12R197	311-1240-00		RES.,VAR,NONWIR:25K OHM,10%,0.50W	73138	72-30-0
A12R198	311-1940-00		RES.,VAR,NONWIR:TRMR,200K OHM,10%	73138	72-206-0
A12R208	315-0472-00		RES.,FXD,CMPSN:4.7K OHM,5%,0.25W	01121	CB4725
A12R209	315-0510-00		RES.,FXD,CMPSN:51 OHM,5%,0.25W	01121	CB5105
A12R210	315-0103-00		RES.,FXD,CMPSN:10K OHM,5%,0.25W	01121	CB1035
A12R211	315-0472-00		RES.,FXD,CMPSN:4.7K OHM,5%,0.25W	01121	CB4725
A12R212	315-0102-00		RES.,FXD,CMPSN:1K OHM,5%,0.25W	01121	CB1025
A12R213	315-0472-00		RES.,FXD,CMPSN:4.7K OHM,5%,0.25W	01121	CB4725
A12R214	315-0472-00		RES.,FXD,CMPSN:4.7K OHM,5%,0.25W	01121	CB4725
A12R220	315-0392-00		RES.,FXD,CMPSN:3.9K OHM,5%,0.25W	01121	CB3925
A12R224	315-0472-00		RES.,FXD,CMPSN:4.7K OHM,5%,0.25W	01121	CB4725
A12R225	315-0114-00		RES.,FXD,CMPSN:110K OHM,5%,0.25W	01121	CB1145
A12R226	315-0223-00		RES.,FXD,CMPSN:22K OHM,5%,0.25W	01121	CB2235
A12R245	315-0301-00		RES.,FXD,CMPSN:300 OHM,5%,0.25W	01121	CB3015
A12R247	315-0102-00		RES.,FXD,CMPSN:1K OHM,5%,0.25W	01121	CB1025
A12R254	316-0126-00		RES.,FXD,CMPSN:12M OHM,10%,0.25W	01121	CB1261
A12R255	316-0126-00		RES.,FXD,CMPSN:12M OHM,10%,0.25W	01121	CB1261

REPLACEABLE ELECTRICAL PARTS

STORAGE (CONT)

Component No.	Tektronix Part No.	Serial/Model No. Eff Dscont	Name & Description	Mfr Code	Mfr Part Number
A12R256	315-0103-00		RES., FXD, CMPSN: 10K OHM, 5%, 0.25W	01121	CB1035
A12R258	315-0472-00		RES., FXD, CMPSN: 4.7K OHM, 5%, 0.25W	01121	CB4725
A12R260	315-0432-00		RES., FXD, CMPSN: 4.3K OHM, 5%, 0.25W	01121	CB4325
A12R261	315-0562-00		RES., FXD, CMPSN: 5.6K OHM, 5%, 0.25W	01121	CB5625
A12R264	315-0432-00		RES., FXD, CMPSN: 4.3K OHM, 5%, 0.25W	01121	CB4325
A12R265	315-0151-00		RES., FXD, CMPSN: 150 OHM, 5%, 0.25W	01121	CB1515
A12R267	315-0511-00		RES., FXD, CMPSN: 510 OHM, 5%, 0.25W	01121	CB5115
A12R270	315-0562-00		RES., FXD, CMPSN: 5.6K OHM, 5%, 0.25W	01121	CB5625
A12R271	315-0102-00		RES., FXD, CMPSN: 1K OHM, 5%, 0.25W	01121	CB1025
A12R272	321-0341-00		RES., FXD, FILM: 34.8K OHM, 1%, 0.125W	91637	MFF1816G34801F
A12R274	315-0432-00		RES., FXD, CMPSN: 4.3K OHM, 5%, 0.25W	01121	CB4325
A12R276	315-0511-00		RES., FXD, CMPSN: 510 OHM, 5%, 0.25W	01121	CB5115
A12R279	321-0345-00		RES., FXD, FILM: 38.3K OHM, 1%, 0.125W	91637	MFF1816G38301F
A12R280	315-0562-00		RES., FXD, CMPSN: 5.6K OHM, 5%, 0.25W	01121	CB5625
A12R281	321-0436-00		RES., FXD, FILM: 340K OHM, 1%, 0.125W	91637	MFF1816G34002F
A12R287	321-0390-00		RES., FXD, FILM: 113K OHM, 1%, 0.125W	91637	MFF1816G11302F
A12R288	315-0242-00		RES., FXD, CMPSN: 2.4K OHM, 5%, 0.25W	01121	CB2425
A12R290	315-0105-00		RES., FXD, CMPSN: 1M OHM, 5%, 0.25W	01121	CB1055
A12R291	321-0222-00		RES., FXD, FILM: 2K OHM, 1%, 0.125W	91637	MFF1816G20000F
A12R292	321-0301-00		RES., FXD, FILM: 13.3K OHM, 1%, 0.125W	91637	MFF1816G13301F
A12R295	311-1935-00		RES., VAR, NONWR: TRMR, 50K OHM, 10%, 0.50W	32997	3299X-R27-503
A12R335	315-0103-00		RES., FXD, CMPSN: 10K OHM, 5%, 0.25W	01121	CB1035
A12R336	315-0511-00		RES., FXD, CMPSN: 510 OHM, 5%, 0.25W	01121	CB5115
A12R337	315-0101-00		RES., FXD, CMPSN: 100 OHM, 5%, 0.25W	01121	CB1015
A12R345	315-0103-00		RES., FXD, CMPSN: 10K OHM, 5%, 0.25W	01121	CB1035
A12R390	308-0777-00		RES., FXD, WW: 1 OHM, 5%, 5W	91637	RS5K1R000J
A12RT389	307-0353-00		RES., FXD, FILM: 5 OHM, 10%, DISC	15454	5DA5R0-K-270SS
A12TP91	214-0579-00		TERM, TEST POINT: BRS CD PL	80009	214-0579-00
A12TP92	214-0579-00		TERM, TEST POINT: BRS CD PL	80009	214-0579-00
A12TP93	214-0579-00		TERM, TEST POINT: BRS CD PL	80009	214-0579-00
A12TP94	214-0579-00		TERM, TEST POINT: BRS CD PL	80009	214-0579-00
A12U110	156-0371-00		MICROCIRCUIT, DI: QUAD 2-INPUT NAND ST	80009	156-0371-00
A12U115	156-0617-00		MICROCIRCUIT, DI: DUAL 4 BIT BIN COUNTER	01295	SN74393N
A12U125	156-0402-00		MICROCIRCUIT, LI: TIMER	27014	SL34829
A12U136	156-0733-00		MICROCIRCUIT, DI: DUAL MONOSTABLE MV	80009	156-0733-00
A12U147	156-0093-00		MICROCIRCUIT, DI: HEX. INVERTER	80009	156-0093-00
A12U154	156-0093-00		MICROCIRCUIT, DI: HEX. INVERTER	80009	156-0093-00
A12U164	156-0733-00		MICROCIRCUIT, DI: DUAL MONOSTABLE MV	80009	156-0733-00
A12U175	156-0733-00		MICROCIRCUIT, DI: DUAL MONOSTABLE MV	80009	156-0733-00
A12U215	156-0462-00		MICROCIRCUIT, DI: HEX SCHMITT TRIG, TTL	80009	156-0462-00
A12U225	156-0402-00		MICROCIRCUIT, LI: TIMER	27014	SL34829
A12U235	156-0030-00		MICROCIRCUIT, DI: QUAD 2-INPUT NAND GATE	80009	156-0030-00
A12U245	156-0371-00		MICROCIRCUIT, DI: QUAD 2-INPUT NAND ST	80009	156-0371-00
A12VR277	152-0279-00		SEMICONV DEVICE: ZENER, 0.4W, 5.1V, 5%	80009	152-0279-00
A12VR287	152-0279-00		SEMICONV DEVICE: ZENER, 0.4W, 5.1V, 5%	80009	152-0279-00

REPLACEABLE ELECTRICAL PARTS

Component No.	Tektronix Part No.	Serial/Model No. Eff Dscont	Name & Description	Mfr Code	Mfr Part Number
A13 HIGH VOLTAGE & Z-AXIS					
A13	672-0807-00		CKT BOARD ASSY:HIGH VOLTAGE & Z-AXIS	80009	672-0807-00
A13C13	290-0745-00		CAP.,FXD,ELCTLT:22UF,+50-10%,25V	56289	502D225
A13C16	290-0745-00		CAP.,FXD,ELCTLT:22UF,+50-10%,25V	56289	502D225
A13C19	290-0745-00		CAP.,FXD,ELCTLT:22UF,+50-10%,25V	56289	502D225
A13C25	281-0775-00		CAP.,FXD,CER DI:0.1UF,20%,50V	72982	8005D9AABZ5U104M
A13C44	285-0604-00		CAP.,FXD,PLSTC:0.01UF,20%,400V	01002	64F22DB103
A13C45	285-0604-00		CAP.,FXD,PLSTC:0.01UF,20%,400V	01002	64F22DB103
A13C55	290-0312-00		CAP.,FXD,ELCTLT:47UF,10%,35V	56289	150D476X9035S2
A13C67	281-0775-00		CAP.,FXD,CER DI:0.1UF,20%,50V	72982	8005D9AABZ5U104M
A13C75	285-1137-00		CAP.,FXD,PLSTC:0.0047UF,10%,8000V	56289	430P472980
A13C97	283-0071-00		CAP.,FXD,CER DI:0.0068UF,+80-30%,5000V	56289	45C10A1
A13C126	281-0763-00		CAP.,FXD,CER DI:47PF,10%,100V	72982	8035D9AADC1G470K
A13C137	281-0755-00		CAP.,FXD,CER DI:1.8PF,0.1%,100V	72982	314021COK0189B
A13C146	283-0001-00		CAP.,FXD,CER DI:0.005UF,+100-0%,500V	72982	831-559E502P
A13C175	285-1136-00		CAP.,FXD,PLSTC:0.001UF,10%,8000V	56289	430P559
A13C176	285-1137-00		CAP.,FXD,PLSTC:0.0047UF,10%,8000V	56289	430P472980
A13C177	285-1136-00		CAP.,FXD,PLSTC:0.001UF,10%,8000V	56289	430P559
A13C178	285-1136-00		CAP.,FXD,PLSTC:0.001UF,10%,8000V	56289	430P559
A13C181	283-0363-00		CAP.,FXD,CER DI:2.2PF,0.25%,2KV	72982	838-000COK229C
A13C182	283-0363-00		CAP.,FXD,CER DI:2.2PF,0.25%,2KV	72982	838-000COK229C
A13C215	281-0775-00		CAP.,FXD,CER DI:0.1UF,20%,50V	72982	8005D9AABZ5U104M
A13C245	285-1119-00		CAP.,FXD,PLSTC:0.082UF,10%,200V	19396	PP680C823K
A13C246	281-0619-00		CAP.,FXD,CER DI:1.2PF,+/-0.1PF,200V	72982	374000COK0129B
A13C335	281-0524-00		CAP.,FXD,CER DI:150PF,+/-30PF,500V	04222	7001-1381
A13C371	281-0812-00		CAP.,FXD,CER DI:1000PF,10%,100V	72982	8035D9AADX7R102K
A13C372	285-1136-00		CAP.,FXD,PLSTC:0.001UF,10%,8000V	56289	430P559
A13C373	285-1136-00		CAP.,FXD,PLSTC:0.001UF,10%,8000V	56289	430P559
A13C419	281-0775-00		CAP.,FXD,CER DI:0.1UF,20%,50V	72982	8005D9AABZ5U104M
A13C428	285-0572-00		CAP.,FXD,PLSTC:0.1UF,20%,200V	56289	410P10402
A13C439	281-0773-00		CAP.,FXD,CER DI:0.01UF,10%,100V	72982	8005H9AADW5R103K
A13C455	281-0771-00		CAP.,FXD,CER DI:0.0022UF,20%,200V	72982	314-022Z5U0222M
A13C457	290-0745-00		CAP.,FXD,ELCTLT:22UF,+50-10%,25V	56289	502D225
A13C459	290-0745-00		CAP.,FXD,ELCTLT:22UF,+50-10%,25V	56289	502D225
A13C466	281-0797-00		CAP.,FXD,CER DI:15PF,10%,100V	72982	8035D9AADCOG150K
A13C469	281-0788-00		CAP.,FXD,CER DI:470PF,10%,100V	72982	8005H9AADW5R471K
A13C472	281-0775-00		CAP.,FXD,CER DI:0.1UF,20%,50V	72982	8005D9AABZ5U104M
A13C473	290-0247-00		CAP.,FXD,ELCTLT:5.6UF,10%,6V	56289	162D565X9006CD2
A13C474	283-0001-00		CAP.,FXD,CER DI:0.005UF,+100-0%,500V	72982	831-559E502P
A13C475	285-1138-00		CAP.,FXD,PLSTC:0.01UF,10%,8000V	56289	430P558
A13CR43	152-0107-00		SEMICONV DEVICE:SILICON,400V,400MA	80009	152-0107-00
A13CR91	152-0639-00		SEMICONV DEVICE:RECT,SI,10KV,10MA	80009	152-0639-00
A13CR95	152-0639-00		SEMICONV DEVICE:RECT,SI,10KV,10MA	80009	152-0639-00
A13CR148	152-0107-00		SEMICONV DEVICE:SILICON,400V,400MA	80009	152-0107-00
A13CR164	152-0107-00		SEMICONV DEVICE:SILICON,400V,400MA	80009	152-0107-00
A13CR165	152-0061-00		SEMICONV DEVICE:SILICON,175V,100MA	80009	152-0061-00
A13CR166	152-0061-00		SEMICONV DEVICE:SILICON,175V,100MA	80009	152-0061-00
A13CR168	152-0107-00		SEMICONV DEVICE:SILICON,400V,400MA	80009	152-0107-00
A13CR169	152-0107-00		SEMICONV DEVICE:SILICON,400V,400MA	80009	152-0107-00
A13CR199	152-0242-00		SEMICONV DEVICE:SILICON,225V,200MA	07263	FDH5004
A13CR270	152-0242-00		SEMICONV DEVICE:SILICON,225V,200MA	07263	FDH5004
A13CR273	152-0242-00		SEMICONV DEVICE:SILICON,225V,200MA	07263	FDH5004
A13CR290	152-0242-00		SEMICONV DEVICE:SILICON,225V,200MA	07263	FDH5004
A13CR315	152-0141-02		SEMICONV DEVICE:SILICON,30V,50NA	01295	1N4152R
A13CR324	152-0141-02		SEMICONV DEVICE:SILICON,30V,50NA	01295	1N4152R
A13CR325	152-0141-02		SEMICONV DEVICE:SILICON,30V,50NA	01295	1N4152R

REPLACEABLE ELECTRICAL PARTS

HIGH VOLTAGE & Z-AXIS (CONT)

Component No.	Tektronix Part No.	Serial/Model No. Eff Dscont	Name & Description	Mfr Code	Mfr Part Number
A13CR326	152-0141-02		SEMICON D DEVICE:SILICON,30V,50NA	01295	1N4152R
A13CR328	152-0141-02		SEMICON D DEVICE:SILICON,30V,50NA	01295	1N4152R
A13CR329	152-0141-02		SEMICON D DEVICE:SILICON,30V,50NA	01295	1N4152R
A13CR334	152-0141-02		SEMICON D DEVICE:SILICON,30V,50NA	01295	1N4152R
A13CR339	152-0141-02		SEMICON D DEVICE:SILICON,30V,50NA	01295	1N4152R
A13CR356	152-0141-02		SEMICON D DEVICE:SILICON,30V,50NA	01295	1N4152R
A13CR426	152-0141-02		SEMICON D DEVICE:SILICON,30V,50NA	01295	1N4152R
A13CR427	152-0141-02		SEMICON D DEVICE:SILICON,30V,50NA	01295	1N4152R
A13CR435	152-0141-02		SEMICON D DEVICE:SILICON,30V,50NA	01295	1N4152R
A13CR457	152-0141-02		SEMICON D DEVICE:SILICON,30V,50NA	01295	1N4152R
A13DS393	150-0035-00		LAMP,GLOW:90V,0.3MA	53944	A1B-3
A13DS494	150-0035-00		LAMP,GLOW:90V,0.3MA	53944	A1B-3
A13DS495	150-0035-00		LAMP,GLOW:90V,0.3MA	53944	A1B-3
A13F21	159-0022-00		FUSE,CARTRIDGE:3AG,1A,250V,FAST-BLOW	71400	AGC 1
A13L41	108-0422-00		COIL,RF:FIXED,82UH	80009	108-0422-00
A13Q35	151-0188-00		TRANSISTOR:SILICON,PNP	80009	151-0188-00
A13Q53	151-0469-00		TRANSISTOR:SILICON,NPN	80009	151-0469-00
A13Q115	151-0190-00		TRANSISTOR:SILICON,NPN	07263	S032677
A13Q130	151-0190-00		TRANSISTOR:SILICON,NPN	07263	S032677
A13Q132	151-0190-00		TRANSISTOR:SILICON,NPN	07263	S032677
A13Q141	151-0444-00		TRANSISTOR:SILICON,NPN	80009	151-0444-00
A13Q145	151-0443-00		TRANSISTOR:SILICON,PNP	80009	151-0443-00
A13Q266	151-0347-00		TRANSISTOR:SILICON,NPN	80009	151-0347-00
A13Q269	151-0350-00		TRANSISTOR:SILICON,PNP	80009	151-0350-00
A13Q445	151-0188-00		TRANSISTOR:SILICON,PNP	80009	151-0188-00
A13Q446	151-0188-00		TRANSISTOR:SILICON,PNP	80009	151-0188-00
A13Q465	151-0188-00		TRANSISTOR:SILICON,PNP	80009	151-0188-00
A13R5	307-0104-00		RES.,FXD,CMPSN:3.3 OHM,5%,0.25W	01121	CB33G5
A13R7	315-0100-00		RES.,FXD,CMPSN:10 OHM,5%,0.25W	01121	CB1005
A13R9	315-0472-03		RES.,FXD,CMPSN:4.7K OHM,5%,0.25W	01121	CB4725
A13R25	315-0472-03		RES.,FXD,CMPSN:4.7K OHM,5%,0.25W	01121	CB4725
A13R26	315-0472-03		RES.,FXD,CMPSN:4.7K OHM,5%,0.25W	01121	CB4725
A13R34	311-1556-00		RES.,VAR,NONWIR:50K OHM,20%,0.50W	73138	91A R50K
A13R36	315-0103-03		RES.,FXD,CMPSN:10K OHM,5%,0.25W	01121	CB1035
A13R37	315-0204-00		RES.,FXD,CMPSN:200K OHM,5%,0.25W	01121	CB2045
A13R38	315-0105-00		RES.,FXD,CMPSN:1M OHM,5%,0.25W	01121	CB1055
A13R39	315-0103-03		RES.,FXD,CMPSN:10K OHM,5%,0.25W	01121	CB1035
A13R44	301-0240-00		RES.,FXD,CMPSN:24 OHM,5%,0.50W	01121	EB2405
A13R47	315-0623-00		RES.,FXD,CMPSN:62K OHM,5%,0.25W	01121	CB6235
A13R61	315-0100-00		RES.,FXD,CMPSN:10 OHM,5%,0.25W	01121	CB1005
A13R70	307-0104-00		RES.,FXD,CMPSN:3.3 OHM,5%,0.25W	01121	CB33G5
A13R73	315-0271-03		RES.,FXD,CMPSN:270 OHM,5%,0.25W	01121	CB2715
A13R110	315-0121-00		RES.,FXD,CMPSN:120 OHM,5%,0.25W	01121	CB1215
A13R115	315-0472-03		RES.,FXD,CMPSN:4.7K OHM,5%,0.25W	01121	CB4725
A13R116	315-0750-00		RES.,FXD,CMPSN:75 OHM,5%,0.25W	01121	CB7505
A13R117	315-0151-00		RES.,FXD,CMPSN:150 OHM,5%,0.25W	01121	CB1515
A13R118	315-0820-00		RES.,FXD,CMPSN:82 OHM,5%,0.25W	01121	CB8205
A13R120	315-0151-00		RES.,FXD,CMPSN:150 OHM,5%,0.25W	01121	CB1515
A13R126	321-0231-00		RES.,FXD,FILM:2.49K OHM,1%,0.125W	91637	MFF1816G24900F
A13R127	321-0301-00		RES.,FXD,FILM:13.3K OHM,1%,0.125W	91637	MFF1816G13301F
A13R128	311-1556-00		RES.,VAR,NONWIR:50K OHM,20%,0.50W	73138	91A R50K
A13R133	315-0911-00		RES.,FXD,CMPSN:910 OHM,5%,0.25W	01121	CB9115
A13R134	315-0182-00		RES.,FXD,CMPSN:1.8K OHM,5%,0.25W	01121	CB1825
A13R135	315-0471-00		RES.,FXD,CMPSN:470 OHM,5%,0.25W	01121	CB4715
A13R147	315-0271-03		RES.,FXD,CMPSN:270 OHM,5%,0.25W	01121	CB2715
A13R167	301-0203-00		RES.,FXD,CMPSN:20K OHM,5%,0.50W	01121	EB2035
A13R169	301-0105-00		RES.,FXD,CMPSN:1M OHM,5%,0.50W	01121	EB1055

REPLACEABLE ELECTRICAL PARTS

HIGH VOLTAGE & Z-AXIS (CONT)

Component No.	Tektronix Part No.	Serial/Model No. Eff Dscont	Name & Description	Mfr Code	Mfr Part Number
A13R170	301-0514-00		RES.,FXD,CMPSN:510K OHM,5%,0.50W	01121	EB5145
A13R175	315-0271-03		RES.,FXD CMPSN:270 OHM,5%,0.25W	01121	CB2715
A13R176	315-0103-00		RES.,FXD,CMPSN:10K OHM,5%,0.25W	01121	CB1035
A13R177	315-0271-03		RES.,FXD CMPSN:270 OHM,5%,0.25W	01121	CB2715
A13R178	315-0102-03		RES.,FXD,CMPSN:1K OHM,5%,0.25W	01121	CB1025
A13R196	315-0472-03		RES.,FXD,CMPSN:4.7K OHM,5%,0.25W	01121	CB4725
A13R198	315-0303-03		RES.,FXD,CMPSN:30K OHM,5%,0.25W	01121	CB3035
A13R215	321-0322-00		RES.,FXD,FILM:22.1K OHM,1%,0.125W	91637	MFF1816G22101F
A13R216	321-0251-00		RES.,FXD,FILM:4.02K OHM,1%,0.125W	91637	MFF1816G40200F
A13R217	315-0221-00		RES.,FXD,CMPSN:220 OHM,5%,0.25W	01121	CB2215
A13R219	307-0104-00		RES.,FXD,CMPSN:3.3 OHM,5%,0.25W	01121	CB33G5
A13R225	321-0330-00		RES.,FXD,FILM:26.7K OHM,1%,0.125W	91637	MFF1816G26701F
A13R226	311-1934-00		RES.,VAR,NONWIR:PNL,2K OHM,20%,0.50W	01121	15M906
A13R227	311-1934-00		RES.,VAR,NONWIR:PNL,2K OHM,20%,0.50W	01121	15M906
A13R235	323-0492-00		RES.,FXD,FILM:499K OHM,1%,0.50W	75042	CECT0-4993F
A13R236	321-0431-00		RES.,FXD,FILM:301K OHM,1%,0.125W	91637	MFF1816G30102F
A13R246	323-0318-00		RES.,FXD,FILM:20K OHM,1%,0.50W	91637	MFF1226D20001F
A13R270	315-0303-03		RES.,FXD,CMPSN:30K OHM,5%,0.25W	01121	CB3035
A13R271	315-0226-00		RES.,FXD,CMPSN:22M OHM,5%,0.25W	01121	CB2265
A13R272	315-0303-03		RES.,FXD,CMPSN:30K OHM,5%,0.25W	01121	CB3035
A13R288	311-1933-00		RES.,VAR,NONWIR:PNL,5M OHM,10%,0.50W	01121	17M095
A13R291	315-0303-03		RES.,FXD,CMPSN:30K OHM,5%,0.25W	01121	CB3035
A13R292	315-0226-00		RES.,FXD,CMPSN:22M OHM,5%,0.25W	01121	CB2265
A13R325	315-0823-00		RES.,FXD,CMPSN:82K OHM,5%,0.25W	01121	CB8235
A13R334	315-0184-00		RES.,FXD,CMPSN:180K OHM,5%,0.25W	01121	CB1845
A13R336	315-0101-03		RES.,FXD,CMPSN:100 OHM,5%,0.25W	01121	CB1015
A13R337	315-0162-00		RES.,FXD,CMPSN:1.6K OHM,5%,0.25W	01121	CB1625
A13R344	323-0408-00		RES.,FXD,FILM:174K OHM,1%,0.50W	91637	MFF1226G17402F
A13R345	323-0408-00		RES.,FXD,FILM:174K OHM,1%,0.50W	91637	MFF1226G17402F
A13R346	315-0102-03		RES.,FXD,CMPSN:1K OHM,5%,0.25W	01121	CB1025
A13R347	315-0151-00		RES.,FXD,CMPSN:150 OHM,5%,0.25W	01121	CB1515
A13R355	315-0182-00		RES.,FXD,CMPSN:1.8K OHM,5%,0.25W	01121	CB1825
A13R365	323-0338-00		RES.,FXD,FILM:32.4K OHM,1%,0.50W	75042	CECT0-3242F
A13R366	315-0273-00		RES.,FXD,CMPSN:27K OHM,5%,0.25W	01121	CB2735
A13R367	315-0122-00		RES.,FXD,CMPSN:1.2K OHM,5%,0.25W	01121	CB1225
A13R368	315-0181-00		RES.,FXD,CMPSN:180 OHM,5%,0.25W	01121	CB1815
A13R369	321-0272-00		RES.,FXD,FILM:6.65K OHM,1%,0.125W	91637	MFF1816G66500F
A13R375	315-0102-03		RES.,FXD,CMPSN:1K OHM,5%,0.25W	01121	CB1025
A13R415	311-1562-00		RES.,VAR,NONWIR:2K OHM,20%,0.50W	73138	91A R2K
A13R416	321-0272-00		RES.,FXD,FILM:6.65K OHM,1%,0.125W	91637	MFF1816G66500F
A13R417	321-0322-00		RES.,FXD,FILM:22.1K OHM,1%,0.125W	91637	MFF1816G22101F
A13R418	315-0472-03		RES.,FXD,CMPSN:4.7K OHM,5%,0.25W	01121	CB4725
A13R425	321-0251-00		RES.,FXD,FILM:4.02K OHM,1%,0.125W	91637	MFF1816G40200F
A13R426	321-0243-00		RES.,FXD,FILM:3.32K OHM,1%,0.125W	91637	MFF1816G33200F
A13R427	311-1562-00		RES.,VAR,NONWIR:2K OHM,20%,0.50W	73138	91A R2K
A13R428	321-0251-00		RES.,FXD,FILM:4.02K OHM,1%,0.125W	91637	MFF1816G40200F
A13R429	311-1555-00		RES.,VAR,NONWIR:100K OHM,20%,0.5W	73138	91-77-0
A13R436	321-0289-00		RES.,FXD,FILM:10K OHM,1%,0.125W	91637	MFF1816G10001F
A13R437	321-0251-00		RES.,FXD,FILM:4.02K OHM,1%,0.125W	91637	MFF1816G40200F
A13R446	303-0823-00		RES.,FXD,CMPSN:82K OHM,5%,1W	01121	GB8235
A13R447	323-0333-00		RES.,FXD,FILM:28.7K OHM,1%,0.50W	75042	CECT0-2872F
A13R448	323-0365-00		RES.,FXD,FILM:61.9K OHM,1%,0.50W	75042	CECT0-6192F
A13R449	323-0365-00		RES.,FXD,FILM:61.9K OHM,1%,0.50W	75042	CECT0-6192F
A13R456	315-0101-03		RES.,FXD,CMPSN:100 OHM,5%,0.25W	01121	CB1015
A13R457	315-0101-03		RES.,FXD,CMPSN:100 OHM,5%,0.25W	01121	CB1015
A13R466	315-0152-00		RES.,FXD,CMPSN:1.5K OHM,5%,0.25W	01121	CB1525
A13R467	315-0204-00		RES.,FXD,CMPSN:200K OHM,5%,0.25W	01121	CB2045

REPLACEABLE ELECTRICAL PARTS

HIGH VOLTAGE & Z-AXIS (CONT)

Component No.	Tektronix Part No.	Serial/Model No. Eff Dscont	Name & Description	Mfr Code	Mfr Part Number
A13R468	315-0333-00		RES.,FXD,CMPSN:33K OHM,5%,0.25W	01121	CB3335
A13R472	315-0823-00		RES.,FXD,CMPSN:82K OHM,5%,0.25W	01121	CB8235
A13R474	315-0102-03		RES.,FXD,CMPSN:1K OHM,5%,0.25W	01121	CB1025
A13R475	315-0101-03		RES.,FXD,CMPSN:100 OHM,5%,0.25W	01121	CB1015
A13R476	307-0550-01		RES NTWK,FXD FI:HV DIVIDER	80009	307-0550-01
A13T75	120-1140-00		XFMR,PWR,SDN&SU:HIGH VOLTAGE	80009	120-1140-00
A13U25	156-0047-00		MICROCIRCUIT,DI:TPL 3-INPUT POS NAND GATE	80009	156-0047-00
A13U115	156-0058-00		MICROCIRCUIT,DI:HEX. INVERTER	80009	156-0058-00
A13U125	156-0072-00		MICROCIRCUIT,DI:MONOSTABLE MV,TTL,14 DIP	80009	156-0072-00
A13U475	156-0067-00		MICROCIRCUIT,LI:OPERATIONAL AMPLIFIER	80009	156-0067-00

REPLACEABLE ELECTRICAL PARTS

Component No.	Tektronix Part No.	Serial/Model No. Eff Dscont	Name & Description	Mfr Code	Mfr Part Number
A14 HARD COPY AMPLIFIER					
A14	670-3097-01		CKT BOARD ASSY:HARD COPY AMPL	80009	670-3097-01
A14C1	283-0111-00		CAP.,FXD,CER DI:0.1UF,20%,50V	72982	8121-N088Z5U104M
A14C6	283-0111-00		CAP.,FXD,CER DI:0.1UF,20%,50V	72982	8121-N088Z5U104M
A14C12	281-0623-00		CAP.,FXD,CER DI:650PF,5%,500V	04222	7001-1362
A14C13	281-0623-00		CAP.,FXD,CER DI:650PF,5%,500V	04222	7001-1362
A14C17	283-0000-00		CAP.,FXD,CER DI:0.001UF,+100-0%,500V	72982	831-516E102P
A14C31	281-0623-00		CAP.,FXD,CER DI:650PF,5%,500V	04222	7001-1362
A14C34	281-0512-00		CAP.,FXD,CER DI:27PF,+/-2.7PF,500V	72982	308-000C0G0270K
A14C35	281-0623-00		CAP.,FXD,CER DI:650PF,5%,500V	04222	7001-1362
A14C105	281-0523-00		CAP.,FXD,CER DI:100PF,+/-20PF,500V	72982	301-000U2M0101M
A14C122	290-0536-00		CAP.,FXD,ELCTLT:10UF,20%,25V	90201	TDC106M025FL
A14C123	290-0536-00		CAP.,FXD,ELCTLT:10UF,20%,25V	90201	TDC106M025FL
A14C124	290-0536-00		CAP.,FXD,ELCTLT:10UF,20%,25V	90201	TDC106M025FL
A14C131	283-0111-00		CAP.,FXD,CER DI:0.1UF,20%,50V	72982	8121-N088Z5U104M
A14C141	283-0008-00		CAP.,FXD,CER DI:0.1UF,20%,500V	56289	275C8
A14C142	283-0008-00		CAP.,FXD,CER DI:0.1UF,20%,500V	56289	275C8
A14C145	283-0008-00		CAP.,FXD,CER DI:0.1UF,20%,500V	56289	275C8
A14C157	283-0111-00		CAP.,FXD,CER DI:0.1UF,20%,50V	72982	8121-N088Z5U104M
A14C158	283-0111-00		CAP.,FXD,CER DI:0.1UF,20%,50V	72982	8121-N088Z5U104M
A14J130	131-0589-00		TERM,PIN:0.46 L X 0.025 SQ.PH BRZ GL	22526	47350
	-----		(QUANTITY OF 2)		
A14J131	131-0589-00		TERM,PIN:0.46 L X 0.025 SQ.PH BRZ GL	22526	47350
	-----		(QUANTITY OF 5)		
A14J132	131-0589-00		TERM,PIN:0.46 L X 0.025 SQ.PH BRZ GL	22526	47350
	-----		(QUANTITY OF 7)		
A14J133	131-0589-00		TERM,PIN:0.46 L X 0.025 SQ.PH BRZ GL	22526	47350
	-----		(QUANTITY OF 10)		
A14J134	131-0589-00		TERM,PIN:0.46 L X 0.025 SQ.PH BRZ GL	22526	47350
	-----		(QUANTITY OF 10)		
A14L44	108-0146-00		COIL,RF:5UH	80009	108-0146-00
A14L140	108-0214-00		COIL,RF:400UH	80009	108-0214-00
A14L144	108-0214-00		COIL,RF:400UH	80009	108-0214-00
A14Q115	151-0223-00		TRANSISTOR:SILICON,NPN	80009	151-0223-00
A14Q134	151-0134-00		TRANSISTOR:SILICON,PNP	80009	151-0134-00
A14R2	315-0100-02		RES.,FXD,CMPSN:10 OHM,5%,0.25W	01121	CB1005
A14R5	315-0100-02		RES.,FXD,CMPSN:10 OHM,5%,0.25W	01121	CB1005
A14R7	315-0102-00		RES.,FXD,CMPSN:1K OHM,5%,0.25W	01121	CB1025
A14R11	315-0103-00		RES.,FXD,CMPSN:10K OHM,5%,0.25W	01121	CB1035
A14R14	315-0103-00		RES.,FXD,CMPSN:10K OHM,5%,0.25W	01121	CB1035
A14R15	315-0153-00		RES.,FXD,CMPSN:15K OHM,5%,0.25W	01121	CB1535
A14R16	315-0432-00		RES.,FXD,CMPSN:4.3K OHM,5%,0.25W	01121	CB4325
A14R26	311-1228-00		RES.,VAR,NONWIR:10K OHM,20%,0.50W	32997	3386F-T04-103
A14R32	315-0102-00		RES.,FXD,CMPSN:1K OHM,5%,0.25W	01121	CB1025
A14R33	315-0103-00		RES.,FXD,CMPSN:10K OHM,5%,0.25W	01121	CB1035
A14R36	315-0102-00		RES.,FXD,CMPSN:1K OHM,5%,0.25W	01121	CB1025
A14R37	315-0103-00		RES.,FXD,CMPSN:10K OHM,5%,0.25W	01121	CB1035
A14R45	315-0302-00		RES.,FXD,CMPSN:3K OHM,5%,0.25W	01121	CB3025
A14R54	315-0103-00		RES.,FXD,CMPSN:10K OHM,5%,0.25W	01121	CB1035
A14R106	315-0562-00		RES.,FXD,CMPSN:5.6K OHM,5%,0.25W	01121	CB5625
A14R112	315-0472-00		RES.,FXD,CMPSN:4.7K OHM,5%,0.25W	01121	CB4725
A14R113	315-0471-00		RES.,FXD,CMPSN:470 OHM,5%,0.25W	01121	CB4715
A14R114	315-0102-00		RES.,FXD,CMPSN:1K OHM,5%,0.25W	01121	CB1025
A14R121	315-0472-00		RES.,FXD,CMPSN:4.7K OHM,5%,0.25W	01121	CB4725
A14R125	307-0103-00		RES.,FXD,CMPSN:2.7 OHM,5%,0.25W	01121	CB27G5
A14R126	307-0103-00		RES.,FXD,CMPSN:2.7 OHM,5%,0.25W	01121	CB27G5

REPLACEABLE ELECTRICAL PARTS

HARD COPY AMPL (CONT)

Component No.	Tektronix Part No.	Serial/Model No. Eff Dscont	Name & Description	Mfr Code	Mfr Part Number
A14R132	321-0214-00		RES.,FXD,FILM:1.65K OHM,1%,0.125W	91637	MFF1816G16500F
A14R135	301-0151-00		RES.,FXD,CMPSN:150 OHM,5%,0.50W	01121	EB1515
A14R136	321-0231-00		RES.,FXD,FILM:2.49K OHM,1%,0.125W	91637	MFF1816G24900F
A14R145	301-0151-00		RES.,FXD,CMPSN:150 OHM,5%,0.50W	01121	EB1515
A14R146	301-0100-00		RES.,FXD,CMPSN:10 OHM,5%,0.50W	01121	EB1005
A14T53	120-0827-00		XFMR,TOROID:THREE 12 TURN WINDINGS	80009	120-0827-00
A14TP1	214-0579-00		TERM,TEST POINT:BRS CD PL	80009	214-0579-00
A14TP12	214-0579-00		TERM,TEST POINT:BRS CD PL	80009	214-0579-00
A14TP13	214-0579-00		TERM,TEST POINT:BRS CD PL	80009	214-0579-00
A14TP116	214-0579-00		TERM,TEST POINT:BRS CD PL	80009	214-0579-00
A14U3	156-0096-00		MICROCIRCUIT,LI:VOLTAGE COMPARATOR	27014	LM311H
A14U21	156-0162-00		MICROCIRCUIT,LI:DIFFERENTIAL VIDEO AMPL	80009	156-0162-00
A14U43	156-0162-00		MICROCIRCUIT,LI:DIFFERENTIAL VIDEO AMPL	80009	156-0162-00
A14U101	156-0072-00		MICROCIRCUIT,DI:MONOSTABLE MV,TTL,14 DIP	80009	156-0072-00

REPLACEABLE ELECTRICAL PARTS

Component No.	Tektronix Part No.	Serial/Model No. Eff Dscont	Name & Description	Mfr Code	Mfr Part Number
A15 KEYBOARD					
A15	119-1050-00		KEYBOARD, CALC:	80009	119-1050-00
A15C1	283-0010-00		CAP., FXD, CER DI:0.05UF, +100-20%, 50V	56289	273C20
A15C2	283-0010-00		CAP., FXD, CER DI:0.05UF, +100-20%, 50V	56289	273C20
A15R1	315-0472-00		RES., FXD, CMPSN:4.7K OHM, 5%, 0.25W	01121	CB4725
A15R2	315-0472-00		RES., FXD, CMPSN:4.7K OHM, 5%, 0.25W	01121	CB4725
A15R3	315-0472-00		RES., FXD, CMPSN:4.7K OHM, 5%, 0.25W	01121	CB4725
A15R4	315-0472-00		RES., FXD, CMPSN:4.7K OHM, 5%, 0.25W	01121	CB4725
A15R5	315-0472-00		RES., FXD, CMPSN:4.7K OHM, 5%, 0.25W	01121	CB4725
A15R6	315-0472-00		RES., FXD, CMPSN:4.7K OHM, 5%, 0.25W	01121	CB4725
A15R7	315-0472-00		RES., FXD, CMPSN:4.7K OHM, 5%, 0.25W	01121	CB4725
A15R8	315-0472-00		RES., FXD, CMPSN:4.7K OHM, 5%, 0.25W	01121	CB4725
A15R9	315-0472-00		RES., FXD, CMPSN:4.7K OHM, 5%, 0.25W	01121	CB4725
A15R10	315-0472-00		RES., FXD, CMPSN:4.7K OHM, 5%, 0.25W	01121	CB4725
A15R11	315-0472-00		RES., FXD, CMPSN:4.7K OHM, 5%, 0.25W	01121	CB4725
A15R12	315-0472-00		RES., FXD, CMPSN:4.7K OHM, 5%, 0.25W	01121	CB4725
A15U1	156-0929-00		MICROCIRCUIT, DI:4-L TO 16-L DCRR/DEMUX	80009	156-0929-00
A15U2	156-0075-00		MICROCIRCUIT, DI:SGL 8-BIT DATA SEL MUX	80009	156-0075-00
A15U3	156-0032-00		MICROCIRCUIT, DI:4-BIT BINARY COUNTER	80009	156-0032-00
A15U4	156-0032-00		MICROCIRCUIT, DI:4-BIT BINARY COUNTER	80009	156-0032-00
A15U5	156-0039-00		MICROCIRCUIT, DI:DUAL J-K FLIP FLOP	80009	156-0039-00
A15U6	156-0030-00		MICROCIRCUIT, DI:QUAD 2-INPUT NAND GATE	80009	156-0030-00

REPLACEABLE ELECTRICAL PARTS

Component No.	Tektronix Part No.	Serial/Model No. Eff Dscont	Name & Description	Mfr Code	Mfr Part Number
A16 TAPE DRIVE					
A16	119-0708-03		DRIVE, MAG TAPE:	80009	119-0708-03
A16A1	670-4003-02		CKT BOARD ASSY: TAPE DRIVER	80009	670-4003-02
A16A2	672-0545-02		CKT BOARD ASSY: STATUS	80009	672-0545-02
A16B1090	147-0045-01		MOTOR, DC: 6V, 17,000 RPM	80009	147-0045-01
A16B1092	147-0046-01		MOTOR, DC: TAPE DRIVE, 12V	80009	147-0046-01
A16C1091	283-0000-00		CAP., FXD, CER DI: 0.001UF, +100-0%, 500V	72982	831-516E102P
A16C1092	283-0000-00		CAP., FXD, CER DI: 0.001UF, +100-0%, 500V	72982	831-516E102P
A16LS60	119-0305-00		LOUDSPEAKER, PM: PERMANENT MAGNET, 45 OHM, 2W	07109	35A45C
A16A1	670-4003-02 ¹³		CKT BOARD ASSY: TAPE DRIVER	80009	670-4003-02
A16A1C21	283-0081-00		CAP., FXD, CER DI: 0.1UF, +80-20%, 25V	56289	36C600
A16A1C22	283-0081-00		CAP., FXD, CER DI: 0.1UF, +80-20%, 25V	56289	36C600
A16A1C101	281-0525-00		CAP., FXD, CER DI: 470PF, +/-94PF, 500V	04222	7001-1364
A16A1C129	283-0534-00		CAP., FXD, MICA D: 82PF, 5%, 500V	04222	CM20D820J
A16A1C131	283-0010-00		CAP., FXD, CER DI: 0.05UF, +100-20%, 50V	56289	273C20
A16A1C138	281-0504-00		CAP., FXD, CER DI: 10PF, +/-1PF, 500V	72982	301-055C0G0100F
A16A1C221	281-0523-00		CAP., FXD, CER DI: 100PF, +/-20PF, 500V	72982	301-000U2M0101M
A16A1C222	283-0010-00		CAP., FXD, CER DI: 0.05UF, +100-20%, 50V	56289	273C20
A16A1C231	283-0081-00		CAP., FXD, CER DI: 0.1UF, +80-20%, 25V	56289	36C600
A16A1C232	283-0081-00		CAP., FXD, CER DI: 0.1UF, +80-20%, 25V	56289	36C600
A16A1C238	281-0523-00		CAP., FXD, CER DI: 100PF, +/-20PF, 500V	72982	301-000U2M0101M
A16A1C312	281-0605-00		CAP., FXD, CER DI: 200PF, 10%, 500V	04222	7001-1375
A16A1C313	281-0605-00		CAP., FXD, CER DI: 200PF, 10%, 500V	04222	7001-1375
A16A1C371	283-0010-00		CAP., FXD, CER DI: 0.05UF, +100-20%, 50V	56289	273C20
A16A1C391	281-0523-00		CAP., FXD, CER DI: 100PF, +/-20PF, 500V	72982	301-000U2M0101M
A16A1C392	281-0523-00		CAP., FXD, CER DI: 100PF, +/-20PF, 500V	72982	301-000U2M0101M
A16A1C393	283-0065-00		CAP., FXD, CER DI: 0.001UF, 5%, 100V	72982	805-518-Z5D0102J
A16A1C394	283-0065-00		CAP., FXD, CER DI: 0.001UF, 5%, 100V	72982	805-518-Z5D0102J
A16A1C480	283-0083-00		CAP., FXD, CER DI: 0.0047UF, 20%, 500V	72982	811-565C472J
A16A1C481	283-0010-00		CAP., FXD, CER DI: 0.05UF, +100-20%, 50V	56289	273C20
A16A1C482	285-1067-00		CAP., FXD, PLSTC: 0.5UF, 1%, 200V	14752	230B1C504F
A16A1C495	283-0010-00		CAP., FXD, CER DI: 0.05UF, +100-20%, 50V	56289	273C20
A16A1C521	290-0297-00		CAP., FXD, ELCTLT: 39UF, 10%, 10V	56289	150D396X9010B2
A16A1C531	283-0081-00		CAP., FXD, CER DI: 0.1UF, +80-20%, 25V	56289	36C600
A16A1C541	283-0081-00		CAP., FXD, CER DI: 0.1UF, +80-20%, 25V	56289	36C600
A16A1C581	285-1067-00		CAP., FXD, PLSTC: 0.5UF, 1%, 200V	14752	230B1C504F
A16A1C590	283-0119-00		CAP., FXD, CER DI: 2200PF, 5%, 200V	72982	855-535B222J
A16A1C591	283-0119-00		CAP., FXD, CER DI: 2200PF, 5%, 200V	72982	855-535B222J
A16A1C592	283-0111-00		CAP., FXD, CER DI: 0.1UF, 20%, 50V	72982	8121-N088Z5U104M
A16A1C593	283-0119-00		CAP., FXD, CER DI: 2200PF, 5%, 200V	72982	855-535B222J
A16A1C595	283-0177-00		CAP., FXD, CER DI: 1UF, +80-20%, 25V	56289	273C5
A16A1C596	283-0003-00		CAP., FXD, CER DI: 0.01UF, +80-20%, 150V	72982	855-558Z5U-103Z
A16A1CR1	152-0141-02		SEMICONV DEVICE: SILICON, 30V, 50NA	01295	1N4152R
A16A1CR2	152-0141-02		SEMICONV DEVICE: SILICON, 30V, 50NA	01295	1N4152R
A16A1CR3	152-0141-02		SEMICONV DEVICE: SILICON, 30V, 50NA	01295	1N4152R
A16A1CR4	152-0141-02		SEMICONV DEVICE: SILICON, 30V, 50NA	01295	1N4152R
A16A1CR120	152-0141-02		SEMICONV DEVICE: SILICON, 30V, 50NA	01295	1N4152R
A16A1CR121	152-0141-02		SEMICONV DEVICE: SILICON, 30V, 50NA	01295	1N4152R
A16A1CR122	152-0141-02		SEMICONV DEVICE: SILICON, 30V, 50NA	01295	1N4152R
A16A1CR136	152-0141-02		SEMICONV DEVICE: SILICON, 30V, 50NA	01295	1N4152R
A16A1CR137	152-0141-02		SEMICONV DEVICE: SILICON, 30V, 50NA	01295	1N4152R
A16A1CR138	152-0141-02		SEMICONV DEVICE: SILICON, 30V, 50NA	01295	1N4152R
A16A1CR139	152-0141-02		SEMICONV DEVICE: SILICON, 30V, 50NA	01295	1N4152R
A16A1CR201	152-0141-02		SEMICONV DEVICE: SILICON, 30V, 50NA	01295	1N4152R

REPLACEABLE ELECTRICAL PARTS

TAPE DRIVE (CONT)

Component No.	Tektronix Part No.	Serial/Model No. Eff Dscnt	Name & Description	Mfr Code	Mfr Part Number
A16A1CR202	152-0141-02		SEMICON D DEVICE:SILICON,30V,50NA	01295	1N4152R
A16A1CR203	152-0141-02		SEMICON D DEVICE:SILICON,30V,50NA	01295	1N4152R
A16A1CR204	152-0141-02		SEMICON D DEVICE:SILICON,30V,50NA	01295	1N4152R
A16A1CR205	152-0141-02		SEMICON D DEVICE:SILICON,30V,50NA	01295	1N4152R
A16A1CR311	152-0141-02		SEMICON D DEVICE:SILICON,30V,50NA	01295	1N4152R
A16A1CR312	152-0141-02		SEMICON D DEVICE:SILICON,30V,50NA	01295	1N4152R
A16A1CR313	152-0141-02		SEMICON D DEVICE:SILICON,30V,50NA	01295	1N4152R
A16A1CR314	152-0141-02		SEMICON D DEVICE:SILICON,30V,50NA	01295	1N4152R
A16A1CR461	152-0141-02		SEMICON D DEVICE:SILICON,30V,50NA	01295	1N4152R
A16A1CR580	152-0107-00		SEMICON D DEVICE:SILICON,400V,400MA	80009	152-0107-00
A16A1CR590	152-0107-00		SEMICON D DEVICE:SILICON,400V,400MA	80009	152-0107-00
A16A1J81	131-0608-00		TERMINAL,PIN:0.365 L X 0.25 PH,BRZ,GOLD PL (QUANTITY OF 34)	22526	47357
A16A1J82	131-0589-00		TERM,PIN:0.46 L X 0.025 SQ.PH BRZ GL (QUANTITY OF 3)	22526	47350
A16A1J83	131-0608-00		TERMINAL,PIN:0.365 L X 0.25 PH,BRZ,GOLD PL (QUANTITY OF 3)	22526	47357
A16A1J84	131-0608-00		TERMINAL,PIN:0.365 L X 0.25 PH,BRZ,GOLD PL (QUANTITY OF 2)	22526	47357
A16A1J85	131-0608-00		TERMINAL,PIN:0.365 L X 0.25 PH,BRZ,GOLD PL (QUANTITY OF 3)	22526	47357
A16A1J86	131-0608-00		TERMINAL,PIN:0.365 L X 0.25 PH,BRZ,GOLD PL (QUANTITY OF 3)	22526	47357
A16A1J87	131-0608-00		TERMINAL,PIN:0.365 L X 0.25 PH,BRZ,GOLD PL (QUANTITY OF 9)	22526	47357
A16A1J88	131-0608-00		TERMINAL,PIN:0.365 L X 0.25 PH,BRZ,GOLD PL (QUANTITY OF 3)	22526	47357
A16A1J89	131-0608-00		TERMINAL,PIN:0.365 L X 0.25 PH,BRZ,GOLD PL (QUANTITY OF 3)	22526	47357
A16A1Q391	151-0192-00		TRANSISTOR:SILICON,NPN,SEL FROM MPS6521	04713	SPS8801
A16A1Q392	151-0192-00		TRANSISTOR:SILICON,NPN,SEL FROM MPS6521	04713	SPS8801
A16A1Q451	151-0188-00		TRANSISTOR:SILICON,PNP	80009	151-0188-00
A16A1Q461	151-0190-00		TRANSISTOR:SILICON,NPN	07263	S032677
A16A1Q462	151-0190-00		TRANSISTOR:SILICON,NPN	07263	S032677
A16A1Q463	151-0190-00		TRANSISTOR:SILICON,NPN	07263	S032677
A16A1Q464	151-0190-00		TRANSISTOR:SILICON,NPN	07263	S032677
A16A1Q491	151-0190-00		TRANSISTOR:SILICON,NPN	07263	S032677
A16A1Q531	151-0188-00		TRANSISTOR:SILICON,PNP	80009	151-0188-00
A16A1Q541	151-0188-00		TRANSISTOR:SILICON,PNP	80009	151-0188-00
A16A1Q551	151-0190-00		TRANSISTOR:SILICON,NPN	07263	S032677
A16A1Q561	151-1066-00		TRANSISTOR:SILICON,FE,P-CHANNEL	80009	151-1066-00
A16A1Q581	151-0188-00		TRANSISTOR:SILICON,PNP	80009	151-0188-00
A16A1Q582	151-0190-00		TRANSISTOR:SILICON,NPN	07263	S032677
A16A1R1	321-0807-00		RES.,FXD,FILM:900K OHM,1%,0.125W	91637	HFF1104F90002F
A16A1R2	321-0246-00		RES.,FXD,FILM:3.57K OHM,1%,0.125W	91637	MFF1816G35700F
A16A1R3	321-0246-00		RES.,FXD,FILM:3.57K OHM,1%,0.125W	91637	MFF1816G35700F
A16A1R4	315-0473-00		RES.,FXD,CMPSN:47K OHM,5%,0.25W	01121	CB4735
A16A1R5	315-0473-00		RES.,FXD,CMPSN:47K OHM,5%,0.25W	01121	CB4735
A16A1R6	315-0153-00		RES.,FXD,CMPSN:15K OHM,5%,0.25W	01121	CB1535
A16A1R7	315-0153-00		RES.,FXD,CMPSN:15K OHM,5%,0.25W	01121	CB1535
A16A1R8	311-1235-00		RES.,VAR,NONWIR:100K OHM,20%,0.50W	32997	3386F-T04-104
A16A1R9	311-1235-00		RES.,VAR,NONWIR:100K OHM,20%,0.50W	32997	3386F-T04-104
A16A1R21	321-0807-00		RES.,FXD,FILM:900K OHM,1%,0.125W	91637	HFF1104F90002F
A16A1R100	321-0354-00		RES.,FXD,FILM:47.5K OHM,1%,0.125W	91637	MFF1816G47501F
A16A1R101	321-0354-00		RES.,FXD,FILM:47.5K OHM,1%,0.125W	91637	MFF1816G47501F
A16A1R121	321-0354-00		RES.,FXD,FILM:47.5K OHM,1%,0.125W	91637	MFF1816G47501F
A16A1R122	321-0354-00		RES.,FXD,FILM:47.5K OHM,1%,0.125W	91637	MFF1816G47501F

REPLACEABLE ELECTRICAL PARTS

TAPE DRIVE (CONT)

Component No.	Tektronix Part No.	Serial/Model No. Eff Dscont	Name & Description	Mfr Code	Mfr Part Number
A16A1R127	315-0100-00		RES.,FXD,CMPSN:10 OHM,5%,0.25W	01121	CB1005
A16A1R128	315-0100-00		RES.,FXD,CMPSN:10 OHM,5%,0.25W	01121	CB1005
A16A1R129	321-0807-00		RES.,FXD,FILM:900K OHM,1%,0.125W	91637	HFF1104F90002F
A16A1R136	315-0473-00		RES.,FXD,CMPSN:47K OHM,5%,0.25W	01121	CB4735
A16A1R137	321-0246-00		RES.,FXD,FILM:3.57K OHM,1%,0.125W	91637	MFF1816G35700F
A16A1R138	321-0246-00		RES.,FXD,FILM:3.57K OHM,1%,0.125W	91637	MFF1816G35700F
A16A1R139	321-0807-00		RES.,FXD,FILM:900K OHM,1%,0.125W	91637	HFF1104F90002F
A16A1R149	315-0473-00		RES.,FXD,CMPSN:47K OHM,5%,0.25W	01121	CB4735
A16A1R150	315-0473-00		RES.,FXD,CMPSN:47K OHM,5%,0.25W	01121	CB4735
A16A1R201	315-0102-00		RES.,FXD,CMPSN:1K OHM,5%,0.25W	01121	CB1025
A16A1R204	315-0102-00		RES.,FXD,CMPSN:1K OHM,5%,0.25W	01121	CB1025
A16A1R205	315-0912-00		RES.,FXD,CMPSN:9.1K OHM,5%,0.25W	01121	CB9125
A16A1R230	321-0260-00		RES.,FXD,FILM:4.99K OHM,1%,0.125W	91637	MFF1816G49900F
A16A1R231	315-0394-00		RES.,FXD,CMPSN:390K OHM,5%,0.25W	01121	CB3945
A16A1R232	315-0394-00		RES.,FXD,CMPSN:390K OHM,5%,0.25W	01121	CB3945
A16A1R234	321-0260-00		RES.,FXD,FILM:4.99K OHM,1%,0.125W	91637	MFF1816G49900F
A16A1R235	315-0912-00		RES.,FXD,CMPSN:9.1K OHM,5%,0.25W	01121	CB9125
A16A1R237	315-0203-00		RES.,FXD,CMPSN:20K OHM,5%,0.25W	01121	CB2035
A16A1R238	315-0203-00		RES.,FXD,CMPSN:20K OHM,5%,0.25W	01121	CB2035
A16A1R301	321-0371-00		RES.,FXD,FILM:71.5K OHM,1%,0.125W	91637	MFF1816G71501F
A16A1R302	321-0371-00		RES.,FXD,FILM:71.5K OHM,1%,0.125W	91637	MFF1816G71501F
A16A1R303	315-0104-00		RES.,FXD,CMPSN:100K OHM,5%,0.25W	01121	CB1045
A16A1R304	315-0104-00		RES.,FXD,CMPSN:100K OHM,5%,0.25W	01121	CB1045
A16A1R307	315-0752-00		RES.,FXD,CMPSN:7.5K OHM,5%,0.25W	01121	CB7525
A16A1R308	315-0752-00		RES.,FXD,CMPSN:7.5K OHM,5%,0.25W	01121	CB7525
A16A1R309	315-0512-00		RES.,FXD,CMPSN:5.1K OHM,5%,0.25W	01121	CB5125
A16A1R310	315-0512-00		RES.,FXD,CMPSN:5.1K OHM,5%,0.25W	01121	CB5125
A16A1R371	315-0102-00		RES.,FXD,CMPSN:1K OHM,5%,0.25W	01121	CB1025
A16A1R391	315-0472-00		RES.,FXD,CMPSN:4.7K OHM,5%,0.25W	01121	CB4725
A16A1R392	315-0472-00		RES.,FXD,CMPSN:4.7K OHM,5%,0.25W	01121	CB4725
A16A1R393	315-0473-00		RES.,FXD,CMPSN:47K OHM,5%,0.25W	01121	CB4735
A16A1R394	315-0473-00		RES.,FXD,CMPSN:47K OHM,5%,0.25W	01121	CB4735
A16A1R421	315-0203-00		RES.,FXD,CMPSN:20K OHM,5%,0.25W	01121	CB2035
A16A1R431	315-0102-00		RES.,FXD,CMPSN:1K OHM,5%,0.25W	01121	CB1025
A16A1R451	315-0103-00		RES.,FXD,CMPSN:10K OHM,5%,0.25W	01121	CB1035
A16A1R452	315-0103-00		RES.,FXD,CMPSN:10K OHM,5%,0.25W	01121	CB1035
A16A1R453	315-0103-00		RES.,FXD,CMPSN:10K OHM,5%,0.25W	01121	CB1035
A16A1R454	315-0103-00		RES.,FXD,CMPSN:10K OHM,5%,0.25W	01121	CB1035
A16A1R455	315-0512-00		RES.,FXD,CMPSN:5.1K OHM,5%,0.25W	01121	CB5125
A16A1R462	315-0473-00		RES.,FXD,CMPSN:47K OHM,5%,0.25W	01121	CB4735
A16A1R463	315-0103-00		RES.,FXD,CMPSN:10K OHM,5%,0.25W	01121	CB1035
A16A1R464	315-0473-00		RES.,FXD,CMPSN:47K OHM,5%,0.25W	01121	CB4735
A16A1R465	321-0329-00		RES.,FXD,FILM:26.1K OHM,1%,0.125W	91637	MFF1816G26101F
A16A1R466	315-0183-00		RES.,FXD,CMPSN:18K OHM,5%,0.25W	01121	CB1835
A16A1R467	315-0822-00		RES.,FXD,CMPSN:8.2K OHM,5%,0.25W	01121	CB8225
A16A1R482	321-0380-00		RES.,FXD,FILM:88.7K OHM,1%,0.125W	91637	MFF1816G88701F
A16A1R490	315-0910-00		RES.,FXD,CMPSN:91 OHM,5%,0.25W	01121	CB9105
A16A1R491	315-0512-00		RES.,FXD,CMPSN:5.1K OHM,5%,0.25W	01121	CB5125
A16A1R492	315-0202-00		RES.,FXD,CMPSN:2K OHM,5%,0.25W	01121	CB2025
A16A1R493	315-0201-00		RES.,FXD,CMPSN:200 OHM,5%,0.25W	01121	CB2015
A16A1R494	307-0111-00		RES.,FXD,CMPSN:3.6 OHM,5%,0.25W	01121	CB36G5
A16A1R521	315-0203-00		RES.,FXD,CMPSN:20K OHM,5%,0.25W	01121	CB2035
A16A1R531	315-0103-00		RES.,FXD,CMPSN:10K OHM,5%,0.25W	01121	CB1035
A16A1R541	315-0472-00		RES.,FXD,CMPSN:4.7K OHM,5%,0.25W	01121	CB4725
A16A1R542	315-0103-00		RES.,FXD,CMPSN:10K OHM,5%,0.25W	01121	CB1035
A16A1R551	315-0103-00		RES.,FXD,CMPSN:10K OHM,5%,0.25W	01121	CB1035
A16A1R552	315-0103-00		RES.,FXD,CMPSN:10K OHM,5%,0.25W	01121	CB1035

REPLACEABLE ELECTRICAL PARTS

TAPE DRIVE (CONT)

Component No.	Tektronix Part No.	Serial/Model No. Eff Dscnt	Name & Description	Mfr Code	Mfr Part Number
A16A1R561	315-0103-00		RES.,FXD,CMPSN:10K OHM,5%,0.25W	01121	CB1035
A16A1R562	321-0337-00		RES.,FXD,FILM:31.6K OHM,1%,0.125W	91637	MFF1816G31601F
A16A1R563	321-0327-00		RES.,FXD,FILM:24.9K OHM,1%,0.125W	91637	MFF1816G24901F
A16A1R564	315-0473-00		RES.,FXD,CMPSN:47K OHM,5%,0.25W	01121	CB4735
A16A1R565	321-0228-00		RES.,FXD,FILM:2.32K OHM,1%,0.125W	91637	MFF1816G23200F
A16A1R566	315-0205-00		RES.,FXD,CMPSN:2M OHM,5%,0.25W	01121	CB2055
A16A1R567	315-0112-00		RES.,FXD,CMPSN:1.1K OHM,5%,0.25W	01121	CB1125
A16A1R570	321-0242-00		RES.,FXD,FILM:3.24K OHM,1%,0.125W	91637	MFF1816G32400F
A16A1R571	321-0289-00		RES.,FXD,FILM:10K OHM,1%,0.125W	91637	MFF1816G10001F
A16A1R572	321-0318-00		RES.,FXD,FILM:20K OHM,1%,0.125W	91637	MFF1816G20001F
A16A1R573	311-1232-00		RES.,VAR,NONWIR:50K OHM,20%,0.50W	32997	3386F-T04-503
A16A1R574	315-0824-00		RES.,FXD,CMPSN:820K OHM,5%,0.25W	01121	CB8245
A16A1R580	315-0102-00		RES.,FXD,CMPSN:1K OHM,5%,0.25W	01121	CB1025
A16A1R581	321-0395-00		RES.,FXD,FILM:127K OHM,1%,0.125W	91637	MFF1816G12702F
A16A1R582	315-0681-00		RES.,FXD,CMPSN:680 OHM,5%,0.25W	01121	CB6815
A16A1R583	315-0134-00		RES.,FXD,CMPSN:130K OHM,5%,0.25W	01121	CB1345
A16A1R584	321-0285-00		RES.,FXD,FILM:9.09K OHM,1%,0.125W	91637	MFF1816G90900F
A16A1R585	315-0102-00		RES.,FXD,CMPSN:1K OHM,5%,0.25W	01121	CB1025
A16A1R586	315-0681-00		RES.,FXD,CMPSN:680 OHM,5%,0.25W	01121	CB6815
A16A1R587	315-0202-00		RES.,FXD,CMPSN:2K OHM,5%,0.25W	01121	CB2025
A16A1R588	315-0621-00		RES.,FXD,CMPSN:620 OHM,5%,0.25W	01121	CB6215
A16A1R589	315-0102-00		RES.,FXD,CMPSN:1K OHM,5%,0.25W	01121	CB1025
A16A1R590	315-0102-00		RES.,FXD,CMPSN:1K OHM,5%,0.25W	01121	CB1025
A16A1R591	315-0474-00		RES.,FXD,CMPSN:470K OHM,5%,0.25W	01121	CB4745
A16A1R593	315-0564-00		RES.,FXD,CMPSN:560K OHM,5%,0.25W	01121	CB5645
A16A1R594	321-0155-00		RES.,FXD,FILM:402 OHM,1%,0.125W	91637	MFF1816G402R0F
A16A1R595	321-0612-00		RES.,FXD,FILM:500 OHM,1%,0.125W	91637	MFF1816G500R0F
A16A1R596	315-0104-00		RES.,FXD,CMPSN:100K OHM,5%,0.25W	01121	CB1045
A16A1R597	311-1224-00		RES.,VAR,NONWIR:500 OHM,20%,0.50W	32997	3386F-T04-501
A16A1TP84	131-0589-00		TERM,PIN:0.46 L X 0.025 SQ.PH BRZ GL	22526	47350
A16A1TP231	131-0589-00		TERM,PIN:0.46 L X 0.025 SQ.PH BRZ GL	22526	47350
A16A1TP232	131-0589-00		TERM,PIN:0.46 L X 0.025 SQ.PH BRZ GL	22526	47350
A16A1TP495	131-0589-00		TERM,PIN:0.46 L X 0.025 SQ.PH BRZ GL	22526	47350
A16A1TP591	131-0589-00		TERM,PIN:0.46 L X 0.025 SQ.PH BRZ GL	22526	47350
A16A1U21	156-0317-00		MICROCIRCUIT,LI:OPERATIONAL AMPLIFIER	80009	156-0317-00
A16A1U100	156-0158-00		MICROCIRCUIT,LI:DUAL OPERATIONAL AMPLIFIER	80009	156-0158-00
A16A1U121	156-0317-00		MICROCIRCUIT,LI:OPERATIONAL AMPLIFIER	80009	156-0317-00
A16A1U131	156-0112-00		MICROCIRCUIT,DI:QUAD 2-INPUT POS NAND GATE	80009	156-0112-00
A16A1U221	156-0383-00		MICROCIRCUIT,DI:QUAD 2-INPUT NOR GATE	80009	156-0383-00
A16A1U231	156-0487-00		MICROCIRCUIT,DI:DUAL RETRIG,ONE SHOT	80009	156-0487-00
A16A1U301	156-0096-00		MICROCIRCUIT,LI:VOLTAGE COMPARATOR	27014	LM311H
A16A1U311	156-0096-00		MICROCIRCUIT,LI:VOLTAGE COMPARATOR	27014	LM311H
A16A1U351	156-0382-00		MICROCIRCUIT,DI:QUAD 2-INPUT NAND GATE	80009	156-0382-00
A16A1U361	156-0387-00		MICROCIRCUIT,DI:DUAL J-K NEG EDGE TRIG	80009	156-0387-00
A16A1U371	156-0388-00		MICROCIRCUIT,DI:DUAL D-TYPE FLIP-FLOP	80009	156-0388-00
A16A1U381	156-0382-00		MICROCIRCUIT,DI:QUAD 2-INPUT NAND GATE	80009	156-0382-00
A16A1U391	156-0371-00		MICROCIRCUIT,DI:QUAD 2-INPUT NAND ST	80009	156-0371-00
A16A1U421	156-0385-00		MICROCIRCUIT,DI:HEX. INVERTER	80009	156-0385-00
A16A1U431	156-0112-00		MICROCIRCUIT,DI:QUAD 2-INPUT POS NAND GATE	80009	156-0112-00
A16A1U481	156-0487-00		MICROCIRCUIT,DI:DUAL RETRIG,ONE SHOT	80009	156-0487-00
A16A1U491	156-0383-00		MICROCIRCUIT,DI:QUAD 2-INPUT NOR GATE	80009	156-0383-00
A16A1U495	156-0388-00		MICROCIRCUIT,DI:DUAL D-TYPE FLIP-FLOP	80009	156-0388-00
A16A1U581	156-0158-00		MICROCIRCUIT,LI:DUAL OPERATIONAL AMPLIFIER	80009	156-0158-00
A16A1U591	156-0158-00		MICROCIRCUIT,LI:DUAL OPERATIONAL AMPLIFIER	80009	156-0158-00
A16A1VR464	152-0226-00		SEMICOND DEVICE:ZENER,0.4W,5.1V,5%	80009	152-0226-00
A16A1VR567	152-0127-00		SEMICOND DEVICE:ZENER,0.4W,7.5V,5%	80009	152-0127-00
A16A1VR568	152-0127-00		SEMICOND DEVICE:ZENER,0.4W,7.5V,5%	80009	152-0127-00

REPLACEABLE ELECTRICAL PARTS

Component No.	Tektronix Part No.	Serial/Model No. Eff Dscont	Name & Description	Mfr Code	Mfr Part Number
A16A2 STATUS W/MICRO SWITCH ASSY					
A16A2	672-0545-02		CKT BOARD ASSY:STATUS	80009	672-0545-02
A16A2DS1	150-0057-01		LAMP, INCAND:5V,0.115A,WIRE LD,SEL	76854	17AS15
A16A2J360	131-0608-00		TERMINAL,PIN:0.365 L X 0.25 PH,BRZ,GOLD PL	22526	47357
	-----		(QUANTITY OF 2)		
A16A2J361	131-0608-00		TERMINAL,PIN:0.365 L X 0.25 PH,BRZ,GOLD PL	22526	47357
	-----		(QUANTITY OF 7)		
A16A2Q1	151-0648-00		XSTR,PHOTO:SILICON,NPN	31718	FPT 120A
A16A2Q2	151-0648-00		XSTR,PHOTO:SILICON,NPN	31718	FPT 120A
A16A2R1	315-0475-00		RES.,FXD,CMPSN:4.7M OHM,5%,0.25W	01121	CB4755
A16A2R2	315-0475-00		RES.,FXD,CMPSN:4.7M OHM,5%,0.25W	01121	CB4755
A16A2R3	315-0102-00		RES.,FXD,CMPSN:1K OHM,5%,0.25W	01121	CB1025
A16A2R5	315-0102-00		RES.,FXD,CMPSN:1K OHM,5%,0.25W	01121	CB1025
A16A2S1	260-1748-00		SWITCH,PUSH:SPDT,0.1A,125VAC,LVR ACTR	01963	E63-02HB
A16A2S2	260-1748-00		SWITCH,PUSH:SPDT,0.1A,125VAC,LVR ACTR	01963	E63-02HB

REPLACEABLE ELECTRICAL PARTS

Component No.	Tektronix Part No.	Serial/Model No. Eff Dscont	Name & Description	Mfr Code	Mfr Part Number
A17 INDICATOR LIGHT					
A17	670-4029-00		CKT BOARD ASSY:INDICATOR LIGHT	80009	670-4029-00
A17DS60	150-0180-00		LAMP, INCAND:12V,0.06A	71744	CM7219
A17DS61	150-0180-00		LAMP, INCAND:12V,0.06A	71744	CM7219
A17DS62	150-0180-00		LAMP, INCAND:12V,0.06A	71744	CM7219
A17DS63	150-0180-00		LAMP, INCAND:12V,0.06A	71744	CM7219
A17J60	131-0608-00		TERMINAL, PIN:0.365 L X 0.25 PH, BRZ, GOLD PL	22526	47357
	-----		(QUANTITY OF 6)		
A17J61	131-0608-00		TERMINAL, PIN:0.365 L X 0.25 PH, BRZ, GOLD PL	22526	47357
	-----		(QUANTITY OF 2)		
A17R60	315-0470-00		RES., FXD, CMPSN:47 OHM, 5%, 0.25W	01121	CB4705
A17R61	315-0470-00		RES., FXD, CMPSN:47 OHM, 5%, 0.25W	01121	CB4705
A17R62	315-0470-00		RES., FXD, CMPSN:47 OHM, 5%, 0.25W	01121	CB4705
A17R63	315-0300-00		RES., FXD, CMPSN:30 OHM, 5%, 0.25W	01121	CB3005

REPLACEABLE ELECTRICAL PARTS

Component No.	Tektronix Part No.	Serial/Model No. Eff	Dscont	Name & Description	Mfr Code	Mfr Part Number
A19 FIRMWARE BACKPACK						
A19	670-5625-00			CKT BOARD ASSY:FIRMWARE BACKPACK	80009	670-5625-00
A19C101	290-0745-00			CAP.,FXD,ELCTLT:22UF,+50-10%,25V	56289	502D225
A19C201	290-0745-00			CAP.,FXD,ELCTLT:22UF,+50-10%,25V	56289	502D225
A19C301	290-0745-00			CAP.,FXD,ELCTLT:22UF,+50-10%,25V	56289	502D225
A19J91	131-1909-00			CONN,RCPT,ELEC:CKT CD,22/44 CONT W/4-40	05574	3VH22/1JN3
A19J92	131-1909-00			CONN,RCPT,ELEC:CKT CD,22/44 CONT W/4-40	05574	3VH22/1JN3
A19P5	131-1791-00			CONN,RCPT,ELEC:CKT BD,25/50 CONTACT	05574	3VH25/1JND5
A19R365	315-0472-00			RES.,FXD,CMPSN:4.7K OHM,5%,0.25W	01121	CB4725
A19U351	156-0382-00			MICROCIRCUIT,DI:QUAD 2-INPUT NAND GATE	80009	156-0382-00
A19U361	156-0694-00			MICROCIRCUIT,DI:DECODER/DEMULTIPLEXER	34335	SN74S138N
A19U371	156-0392-00			MICROCIRCUIT,DI:QUAD LATCH	80009	156-0392-00
A19U381	156-0694-00			MICROCIRCUIT,DI:DECODER/DEMULTIPLEXER	34335	SN74S138N

REPLACEABLE ELECTRICAL PARTS

Component No.	Tektronix Part No.	Serial/Model No. Eff Dscont	Name & Description	Mfr Code	Mfr Part Number
A20 COMMUNICATIONS BACKPACK					
A20	670-5626-00		CKT BOARD ASSY:COMMUNICATIONS BACKPACK (OPTION 1 ONLY)	80009	670-5626-00
A20C11	283-0010-00		CAP., FXD, CER DI:0.05UF,+100-20%, 50V	56289	273C20
A20C171	283-0010-00		CAP., FXD, CER DI:0.05UF,+100-20%, 50V	56289	273C20
A20C211	283-0010-00		CAP., FXD, CER DI:0.05UF,+100-20%, 50V	56289	273C20
A20C231	283-0010-00		CAP., FXD, CER DI:0.05UF,+100-20%, 50V	56289	273C20
A20C311	290-0745-00		CAP., FXD, ELCTLT:22UF,+50-10%, 25V	56289	502D225
A20C321	290-0745-00		CAP., FXD, ELCTLT:22UF,+50-10%, 25V	56289	502D225
A20C361	290-0745-00		CAP., FXD, ELCTLT:22UF,+50-10%, 25V	56289	502D225
A20J91	131-1909-00		CONN, RCPT, ELEC:CKT CD, 22/44 CONT W/4-40	05574	3VH22/1JN3
A20J92	131-1909-00		CONN, RCPT, ELEC:CKT CD, 22/44 CONT W/4-40	05574	3VH22/1JN3
A20J93	131-1437-00		CONN, RCPT, ELEC:25 FEMALE CONTACT	54492	DB-25-S-F179
A20P5	131-1791-00		CONN, RCPT, ELEC:CKT BD, 25/50 CONTACT	05574	3VH25/1JND5
A20R251	315-0181-00		RES., FXD, CMPSN:180 OHM, 5%, 0.25W	01121	CB1815
A20R255	315-0431-00		RES., FXD, CMPSN:430 OHM, 5%, 0.25W	01121	CB4315
A20R281	315-0472-00		RES., FXD, CMPSN:4.7K OHM, 5%, 0.25W	01121	CB4725
A20R283	315-0472-00		RES., FXD, CMPSN:4.7K OHM, 5%, 0.25W	01121	CB4725
A20R381	315-0472-00		RES., FXD, CMPSN:4.7K OHM, 5%, 0.25W	01121	CB4725
A20U111	156-0694-00		MICROCIRCUIT, DI:DECODER/DEMULTIPLEXER	34335	SN74S138N
A20U121	156-0138-00		MICROCIRCUIT, LI: CORE LINE RECEIVER	01295	SN75154N
A20U171	156-1206-00		MICROCIRCUIT, DI:N-CHANNEL	80009	156-1206-00
A20U181	156-0138-00		MICROCIRCUIT, LI: CORE LINE RECEIVER	01295	SN75154N
A20U211	156-0694-00		MICROCIRCUIT, DI:DECODER/DEMULTIPLEXER	34335	SN74S138N
A20U221	156-0850-00		MICROCIRCUIT, DI:PROGRAMMABLE BIT RATE GEN	80009	156-0850-00
A20U241	156-1205-00		MICROCIRCUIT, DI:PERIPHERAL INTFC ADAPTER	80009	156-1205-00
A20U261	156-0139-00		MICROCIRCUIT, LI:DUAL LINE DRIVER	01295	SN75150P
A20U281	156-0139-00		MICROCIRCUIT, LI:DUAL LINE DRIVER	01295	SN75150P

REPLACEABLE ELECTRICAL PARTS

Component No.	Tektronix Part No.	Serial/Model No. Eff Dscont	Name & Description	Mfr Code	Mfr Part Number
A21 SELECTOR					
A21	670-6207-00		CKT BOARD ASSY:SELECTOR	80009	670-6207-00
	-----		(OPTION 2 ONLY)		
A21C211	290-0745-00		CAP., FXD, ELCTLT: 22UF, +50-10%, 25V	56289	502D225
A21C231	290-0745-00		CAP., FXD, ELCTLT: 22UF, +50-10%, 25V	56289	502D225
A21C251	290-0745-00		CAP., FXD, ELCTLT: 22UF, +50-10%, 25V	56289	502D225
A21C271	283-0421-00		CAP., FXD, CER DI: 0.1UF, +80-20%, 50V	04222	DG015E104Z
A21C281	283-0421-00		CAP., FXD, CER DI: 0.1UF, +80-20%, 50V	04222	DG015E104Z
A21P5	131-1791-00		CONN, RCPT, ELEC: CKT BD, 25/50 CONTACT	05574	3VH25/1JND5
A21P96	131-2515-00		CONN, RCPT, ELEC: CKT BD, 2X 10, FEMALE	00779	86418-1
A21P97	131-2515-00		CONN, RCPT, ELEC: CKT BD, 2X 10, FEMALE	00779	86418-1
A21P98	131-2515-00		CONN, RCPT, ELEC: CKT BD, 2X 10, FEMALE	00779	86418-1
A21R272	315-0472-00		RES., FXD, CMPSN: 4.7K OHM, 5%, 0.25W	01121	CB4725
A21U171	156-0694-00		MICROCIRCUIT, DI: DECODER/DEMULTIPLER	34335	SN74S138N
A21U181	156-0694-00		MICROCIRCUIT, DI: DECODER/DEMULTIPLER	34335	SN74S138N
A21U271	156-0382-00		MICROCIRCUIT, DI: QUAD 2-INPUT NAND GATE	80009	156-0382-00
A21U281	156-0392-00		MICROCIRCUIT, DI: QUAD LATCH	80009	156-0392-00

REPLACEABLE ELECTRICAL PARTS

Component No.	Tektronix Part No.	Serial/Model No. Eff Dscont	Name & Description	Mfr Code	Mfr Part Number
A23 COMMUNICATION					
A23	670-6208-00		CKT BOARD ASSY:COMMUNICATION (OPTION 3 ONLY)	80009	670-6208-00
A23C165	283-0421-00		CAP.,FXD,CER DI:0.1UF,+80-20%,50V	04222	DG015E104Z
A23C230	283-0421-00		CAP.,FXD,CER DI:0.1UF,+80-20%,50V	04222	DG015E104Z
A23C360	283-0421-00		CAP.,FXD,CER DI:0.1UF,+80-20%,50V	04222	DG015E104Z
A23C376	283-0421-00		CAP.,FXD,CER DI:0.1UF,+80-20%,50V	04222	DG015E104Z
A23C401	290-0745-00		CAP.,FXD,ELCTLT:22UF,+50-10%,25V	56289	502D225
A23C461	290-0745-00		CAP.,FXD,ELCTLT:22UF,+50-10%,25V	56289	502D225
A23C462	290-0745-00		CAP.,FXD,ELCTLT:22UF,+50-10%,25V	56289	502D225
A23C475	290-0745-00		CAP.,FXD,ELCTLT:22UF,+50-10%,25V	56289	502D225
A23J93	131-1437-00		CONN,RCPT,ELEC:25 FEMALE CONTACT	54492	DB-25-S-F179
A23P5	131-1791-00		CONN,RCPT,ELEC:CKT BD,25/50 CONTACT	05574	3VH25/1JND5
A23P96	131-2515-00		CONN,RCPT,ELEC:CKT BD,2X 10,FEMALE	00779	86418-1
A23P97	131-2515-00		CONN,RCPT,ELEC:CKT BD,2X 10,FEMALE	00779	86418-1
A23P98	131-2515-00		CONN,RCPT,ELEC:CKT BD,2X 10,FEMALE	00779	86418-1
A23R130	315-0181-00		RES.,FXD,CMPSN:180 OHM,5%,0.25W	01121	CB1815
A23R230	315-0181-00		RES.,FXD,CMPSN:180 OHM,5%,0.25W	01121	CB1815
A23R231	315-0181-00		RES.,FXD,CMPSN:180 OHM,5%,0.25W	01121	CB1815
A23R276	315-0472-00		RES.,FXD,CMPSN:4.7K OHM,5%,0.25W	01121	CB4725
A23R331	315-0181-00		RES.,FXD,CMPSN:180 OHM,5%,0.25W	01121	CB1815
A23R349	315-0472-00		RES.,FXD,CMPSN:4.7K OHM,5%,0.25W	01121	CB4725
A23R350	315-0472-00		RES.,FXD,CMPSN:4.7K OHM,5%,0.25W	01121	CB4725
A23U151	156-0694-00		MICROCIRCUIT,DI:DECODER/DEMULTIPLEXER	34335	SN74S138N
A23U175	156-0694-00		MICROCIRCUIT,DI:DECODER/DEMULTIPLEXER	34335	SN74S138N
A23U230	156-1206-00		MICROCIRCUIT,DI:N-CHANNEL	80009	156-1206-00
A23U251	156-1205-00		MICROCIRCUIT,DI:PERIPHERAL INTFC ADAPTER	80009	156-1205-00
A23U331	156-0138-00		MICROCIRCUIT,LI:CORE LINE RECEIVER	01295	SN75154N
A23U351	156-0138-00		MICROCIRCUIT,LI:CORE LINE RECEIVER	01295	SN75154N
A23U375	156-0850-00		MICROCIRCUIT,DI:PROGRAMMABLE BIT RATE GEN	80009	156-0850-00
A23U475	156-0139-00		MICROCIRCUIT,LI:DUAL LINE DRIVER	01295	SN75150P
A23U476	156-0139-00		MICROCIRCUIT,LI:DUAL LINE DRIVER	01295	SN75150P

REPLACEABLE ELECTRICAL PARTS

Component No.	Tektronix Part No.	Serial/Model No. Eff Dscont	Name & Description	Mfr Code	Mfr Part Number
A24 PRINTER INTERFACE					
A24	670-5636-00		CKT BOARD ASSY:RS232 OPT 10 (OPTION 10 ONLY)	80009	670-5636-00
A24C100	283-0421-00		CAP.,FXD,CER DI:0.1UF,+80-20%,50V	04222	DG015E104Z
A24C110	283-0421-00		CAP.,FXD,CER DI:0.1UF,+80-20%,50V	04222	DG015E104Z
A24C201	283-0421-00		CAP.,FXD,CER DI:0.1UF,+80-20%,50V	04222	DG015E104Z
A24C202	283-0177-00		CAP.,FXD,CER DI:1UF,+80-20%,25V	56289	273C5
A24C203	283-0421-00		CAP.,FXD,CER DI:0.1UF,+80-20%,50V	04222	DG015E104Z
A24C206	283-0103-00		CAP.,FXD,CER DI:180PF,5%,500V	56289	40C638
A24C210	283-0421-00		CAP.,FXD,CER DI:0.1UF,+80-20%,50V	04222	DG015E104Z
A24Q200	151-0190-00		TRANSISTOR:SILICON,NPN	07263	S032677
A24R109	315-0271-00		RES.,FXD,CMPSN:270 OHM,5%,0.25W	01121	CB2715
A24R110	315-0392-00		RES.,FXD,CMPSN:3.9K OHM,5%,0.25W	01121	CB3925
A24R200	315-0392-00		RES.,FXD,CMPSN:3.9K OHM,5%,0.25W	01121	CB3925
A24R201	315-0331-00		RES.,FXD,CMPSN:330 OHM,5%,0.25W	01121	CB3315
A24R202	315-0103-00		RES.,FXD,CMPSN:10K OHM,5%,0.25W	01121	CB1035
A24R204	315-0392-00		RES.,FXD,CMPSN:3.9K OHM,5%,0.25W	01121	CB3925
A24R206	315-0472-00		RES.,FXD,CMPSN:4.7K OHM,5%,0.25W	01121	CB4725
A24R208	315-0392-00		RES.,FXD,CMPSN:3.9K OHM,5%,0.25W	01121	CB3925
A24R210	315-0682-00		RES.,FXD,CMPSN:6.8K OHM,5%,0.25W	01121	CB6825
A24R211	315-0392-00		RES.,FXD,CMPSN:3.9K OHM,5%,0.25W	01121	CB3925
A24S111	260-1777-00		SWITCH,ROTARY:16 POSN,28VDC,100MA	00779	53137-1
A24U100	160-0342-00		MICROCIRCUIT,DI:1024 X 8 ROM,CUSTOM MASK	80009	160-0342-00
A24U101	156-1206-00		MICROCIRCUIT,DI:N-CHANNEL	80009	156-1206-00
A24U110	156-0850-00		MICROCIRCUIT,DI:PROGRAMMABLE BIT RATE GEN	80009	156-0850-00
A24U201	156-0469-00		MICROCIRCUIT,DI:3-LINE TO 8-LINE DECODER	01295	SN74LS138N
A24U210	156-0138-00		MICROCIRCUIT,LI:CORE LINE RECEIVER	01295	SN75154N
A24U211	156-0139-00		MICROCIRCUIT,LI:DUAL LINE DRIVER	01295	SN75150P

REPLACEABLE ELECTRICAL PARTS

Component No.	Tektronix Part No.	Serial/Model No. Eff Dscont	Name & Description	Mfr Code	Mfr Part Number
			A25 EDITOR ROM PACK		
A25	670-5624-00		CKT BOARD ASSY:16K ROM PAK (4052R06)	80009	670-5624-00
A25C1	283-0010-00		CAP.,FXD,CER DI:0.05UF,+100-20%,50V	56289	273C20
A25C11	283-0010-00		CAP.,FXD,CER DI:0.05UF,+100-20%,50V	56289	273C20
A25C21	283-0010-00		CAP.,FXD,CER DI:0.05UF,+100-20%,50V	56289	273C20
A25C201	283-0010-00		CAP.,FXD,CER DI:0.05UF,+100-20%,50V	56289	273C20
A25C301	290-0167-00		CAP.,FXD,ELCTLT:10UF,20%,15V	56289	150D106X0015B2
A25R221	315-0472-00		RES.,FXD,CMPSN:4.7K OHM,5%,0.25W	01121	CB4725
A25U1	160-0268-00		MICROCIRCUIT,DI:192 X 8 ROM		
A25U21	156-0469-00		MICROCIRCUIT,DI:3-LINE TO 8-LINE DECODER	01295	SN74LS138N

REPLACEABLE ELECTRICAL PARTS

Component No.	Tektronix Part No.	Serial/Model No. Eff Dscont	Name & Description	Mfr Code	Mfr Part Number
			A26 SIGNAL PROCESSING ROM #1		
A26	670-6250-00		CKT BOARD ASSY:SIGNAL PROCESSING ROM #1 (4052R07)	80009	670-6250-00
A26C1	283-0010-00		CAP., FXD, CER DI:0.05UF, +100-20%, 50V	56289	273C20
A26C11	283-0010-00		CAP., FXD, CER DI:0.05UF, +100-20%, 50V	56289	273C20
A26C21	283-0010-00		CAP., FXD, CER DI:0.05UF, +100-20%, 50V	56289	273C20
A26C201	283-0010-00		CAP., FXD, CER DI:0.05UF, +100-20%, 50V	56289	273C20
A26C301	290-0167-00		CAP., FXD, ELCLT:10UF, 20%, 15V	56289	150D106X0015B2
A26U1	160-0278-00		MICROCIRCUIT, DI:8192 X 8 ROM, PROGRAMMED	80009	160-0278-00
A26U21	156-0469-00		MICROCIRCUIT, DI:3-LINE TO 8-LINE DECODER	01295	SN74LS138N

REPLACEABLE ELECTRICAL PARTS

Component No.	Tektronix Part No.	Serial/Model No. Eff Dscont	Name & Description	Mfr Code	Mfr Part Number
CHASSIS PARTS					
C5006	290-0566-00		CAP., FXD, ELCLTLT: 15000UF, +75-10%, 30V	56289	36D153G030CB2A
C5007	290-0566-00		CAP., FXD, ELCLTLT: 15000UF, +75-10%, 30V	56289	36D153G030CB2A
C5011	290-0183-00		CAP., FXD, ELCLTLT: 1UF, 10%, 35V	90201	TAE105K035P1A
C5012	283-0081-00		CAP., FXD, CER DI: 0.1UF, +80-20%, 25V	56289	36C600
CR5003	152-0518-00		SEMICONV DEVICE: RECT, SI, 50V, 27A	80009	152-0518-00
CR5004	152-0518-00		SEMICONV DEVICE: RECT, SI, 50V, 27A	80009	152-0518-00
CR5005	152-0518-00		SEMICONV DEVICE: RECT, SI, 50V, 27A	80009	152-0518-00
F5001	159-0014-00		FUSE, CARTRIDGE: 3AG, 5A, 250V, FAST-BLOW	71400	MTH5
F5001	159-0005-00		FUSE, CARTRIDGE: 3AG, 3A, 125V, 30 SEC, CER (OPTION 48 ONLY)	71400	MDA3

FL5001	119-0813-00		SELECTOR, VOLTS: W/LINE FLTR RCPT & FUSE	02777	F65003
L5022	119-0870-00		COIL, TUBE DEFL:	80009	119-0870-00
Q1091	151-0607-00		TRANSISTOR: SILICON, PNP	80009	151-0607-00
Q1092	151-0606-00		TRANSISTOR: SILICON, NPN	80009	151-0606-00
Q5001	151-0366-00		TRANSISTOR: SILICON, PNP	80009	151-0366-00
Q5002	151-0352-00		TRANSISTOR: SILICON, NPN	80009	151-0352-00
Q5005	151-0623-00		TRANSISTOR: SILICON, NPN	01295	T1P52
Q5007	151-0373-00		TRANSISTOR: SILICON, PNP	80009	151-0373-00
Q5009	151-0415-00		TRANSISTOR: SILICON, NPN	04713	MJE1102
R5001	311-1460-00		RES., VAR NONWIR: 10K OHM, 20%, 1W	01121	73J1G040L103M
R5002	311-1460-00		RES., VAR NONWIR: 10K OHM, 20%, 1W	01121	73J1G040L103M
R5003	311-1460-00		RES., VAR NONWIR: 10K OHM, 20%, 1W	01121	73J1G040L103M
R5004	311-1460-00		RES., VAR NONWIR: 10K OHM, 20%, 1W	01121	73J1G040L103M
R5011	315-0150-00		RES., FXD, CMPSN: 15 OHM, 5%, 0.25W	01121	CB1505
S5001	260-1842-00		SWITCH, ROCKER: DPST, 16A, 250VAC	04009	2600-11E 718
T5001	120-1278-00		XFMR, PWR, SDN&SU: LF	80009	120-1278-00
U371	156-0285-00		MICROCIRCUIT, LI: VOLTAGE REGULATOR	27014	LM340T-12
U5011	156-0684-00		MICROCIRCUIT, LI: 3AMP, 5V, POSITIVE REGULATOR	27014	LM323K
V1	154-0785-02		ELECTRON TUBE: CRT	80009	154-0785-02

Section 6

DIAGRAMS AND SCHEMATICS

Symbols and Reference Designators

Electrical components shown on the diagrams are in the following units unless noted otherwise:

- Capacitors = Values one or greater are in picofarads (pF).
Values less than one are in microfarads (μF).
- Resistors = Ohms (Ω).

Graphic symbols and class designation letters are based on ANSI Standard Y32.2-1975.

Logic symbology is based on ANSI Y32.14-1973 in terms of positive logic. Logic symbols depict the logic function performed and may differ from the manufacturer's data.

Abbreviations are based on ANSI Y1.1-1972.

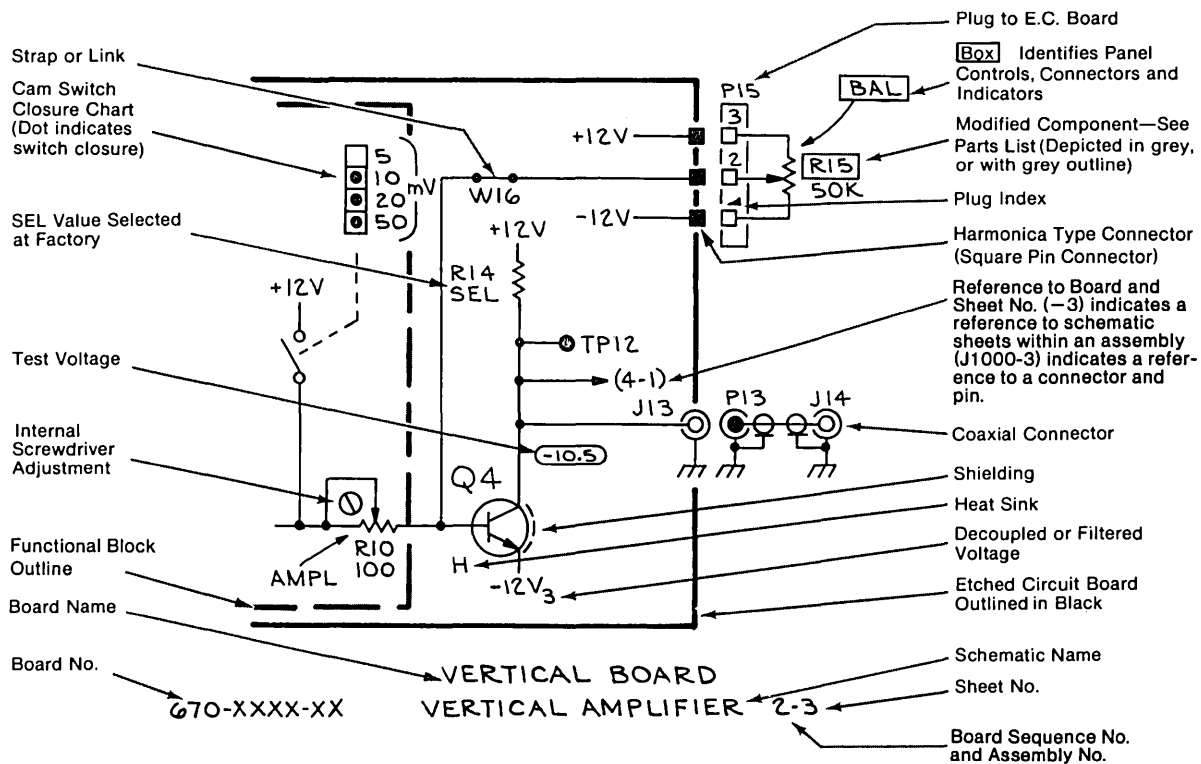
Other ANSI standards that are used in the preparation of diagrams by Tektronix, Inc. are:

- Y14.15, 1966 Drafting Practices.
- Y14.2, 1973 Line Conventions and Lettering.
- Y10.5, 1968 Letter Symbols for Quantities Used in Electrical Science and Electrical Engineering.

The following prefix letters are used as reference designators to identify components or assemblies on the diagrams.

A	Assembly, separable or repairable (circuit board, etc)	H	Heat dissipating device (heat sink, heat radiator, etc)	S	Switch or contactor
AT	Attenuator, fixed or variable	HR	Heater	T	Transformer
B	Motor	HY	Hybrid circuit	TC	Thermocouple
BT	Battery	J	Connector, stationary portion	TP	Test point
C	Capacitor, fixed or variable	K	Relay	U	Assembly, inseparable or non-repairable (integrated circuit, etc.)
CB	Circuit breaker	L	Inductor, fixed or variable	V	Electron tube
CR	Diode, signal or rectifier	M	Meter	VR	Voltage regulator (zener diode, etc.)
DL	Delay line	P	Connector, movable portion	W	Wirestrap or cable
DS	Indicating device (lamp)	Q	Transistor or silicon-controlled rectifier	Y	Crystal
E	Spark Gap, Ferrite bead	R	Resistor, fixed or variable	Z	Phase shifter
F	Fuse	RT	Thermistor		
FL	Filter				

The following special symbols may appear on the diagrams:



DIAGRAMS AND SCHEMATICS

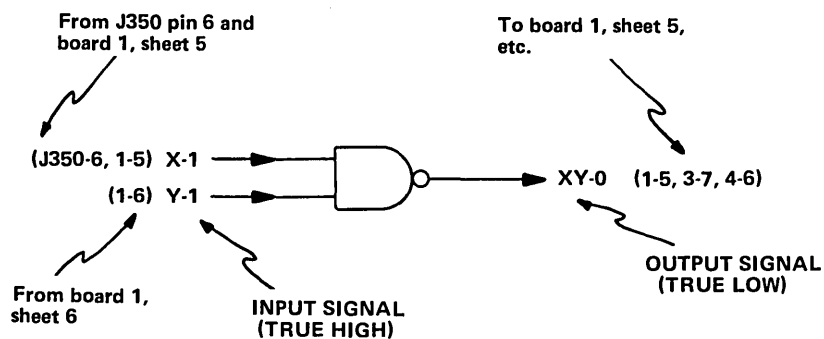
1. TRUE HIGH and TRUE LOW Signals

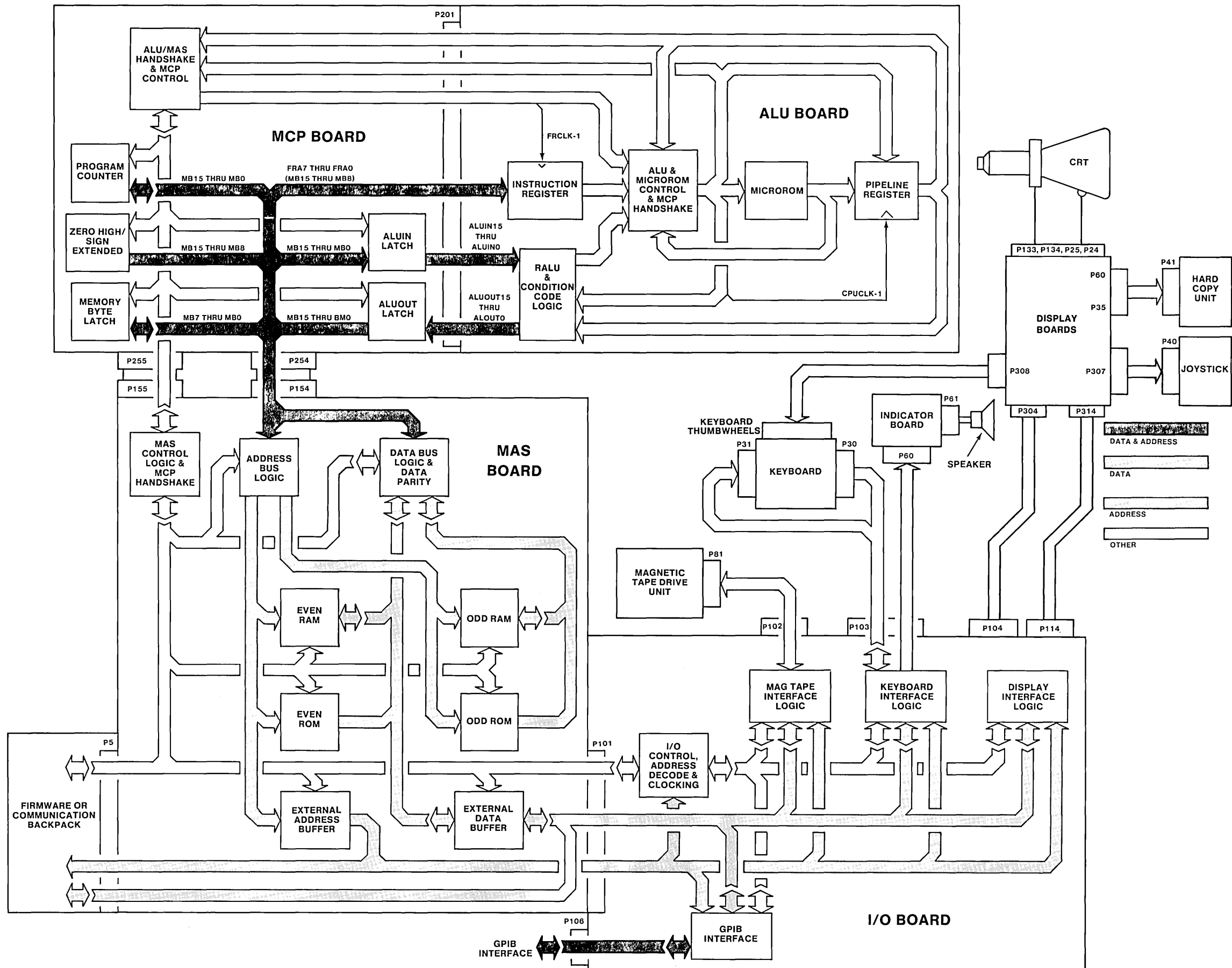
Signal names on the schematics are followed by -1 or -0. A TRUE HIGH signal is indicated by -1, and a TRUE LOW signal is indicated by -0.

SIGNAL-1 = TRUE HIGH
SIGNAL-0 = TRUE LOW

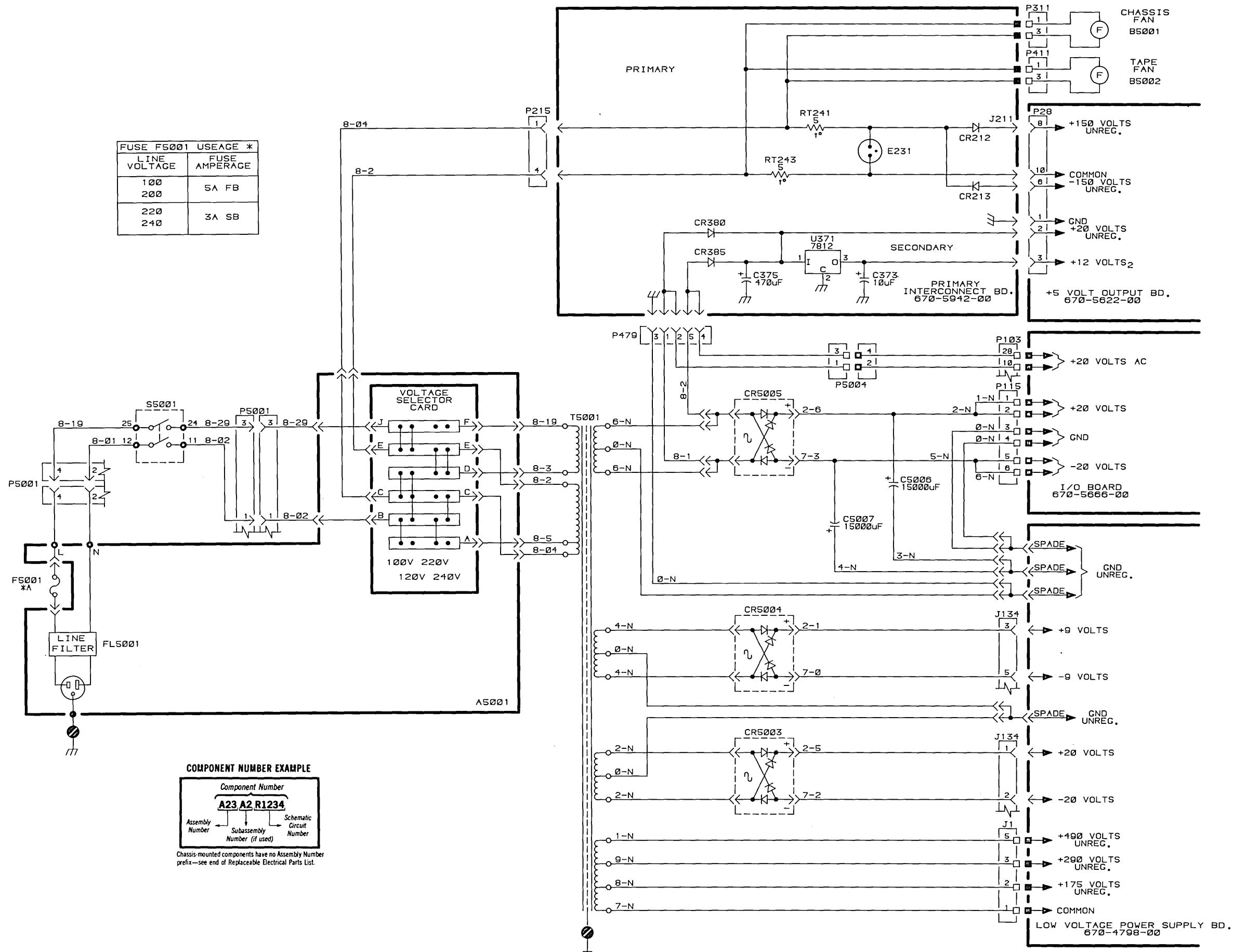
2. Cross-References

Schematic cross-references (from/to information) are included on the schematics. The "from" reference only indicates the signal "source," and the "to" reference lists all loads where the signal is used. All from/to information will be enclosed in parentheses.

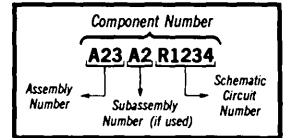




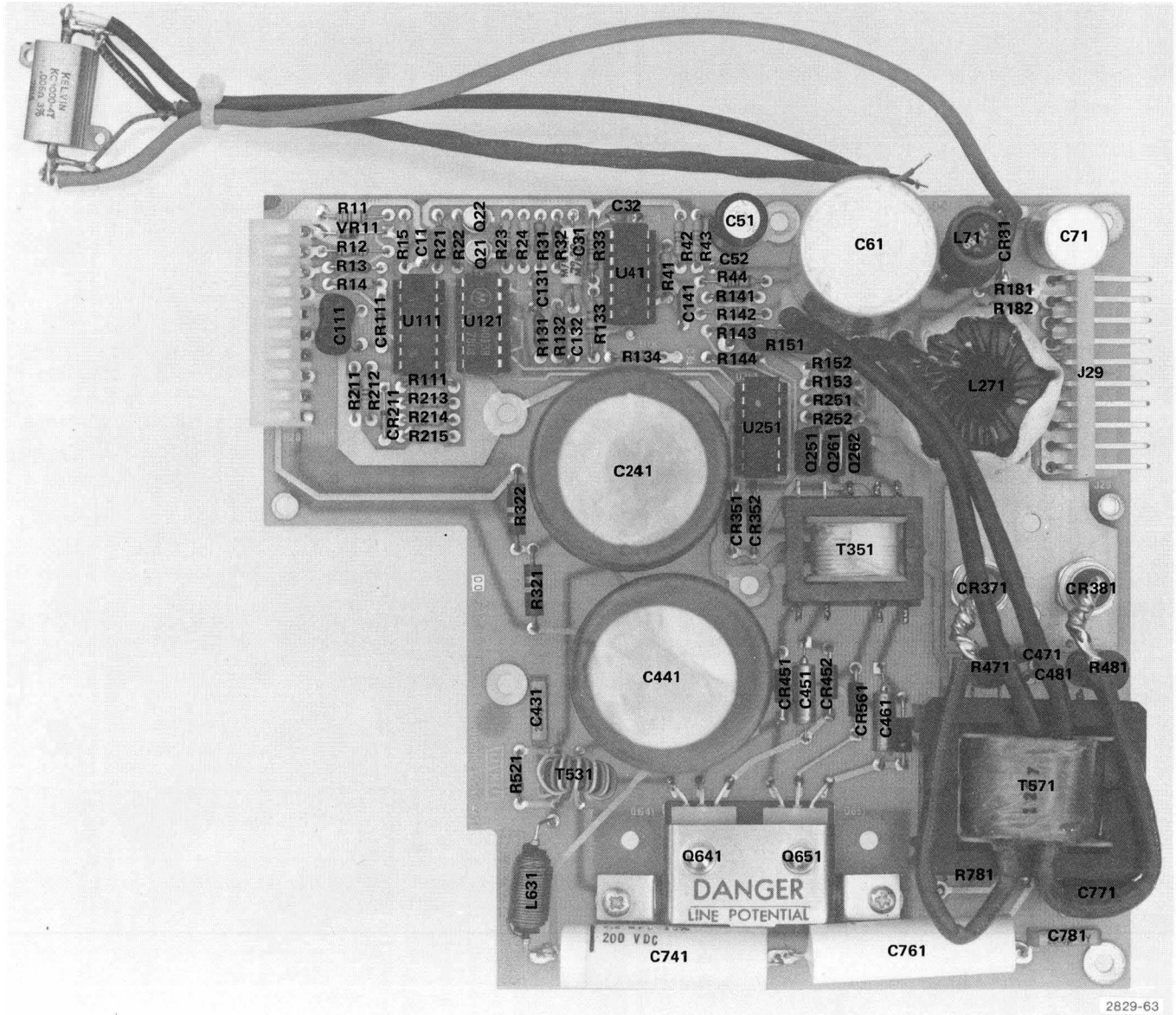
FUSE F5001 USEAGE *	
LINE VOLTAGE	FUSE AMPERAGE
100	5A FB
200	5A FB
220	3A SB
240	3A SB



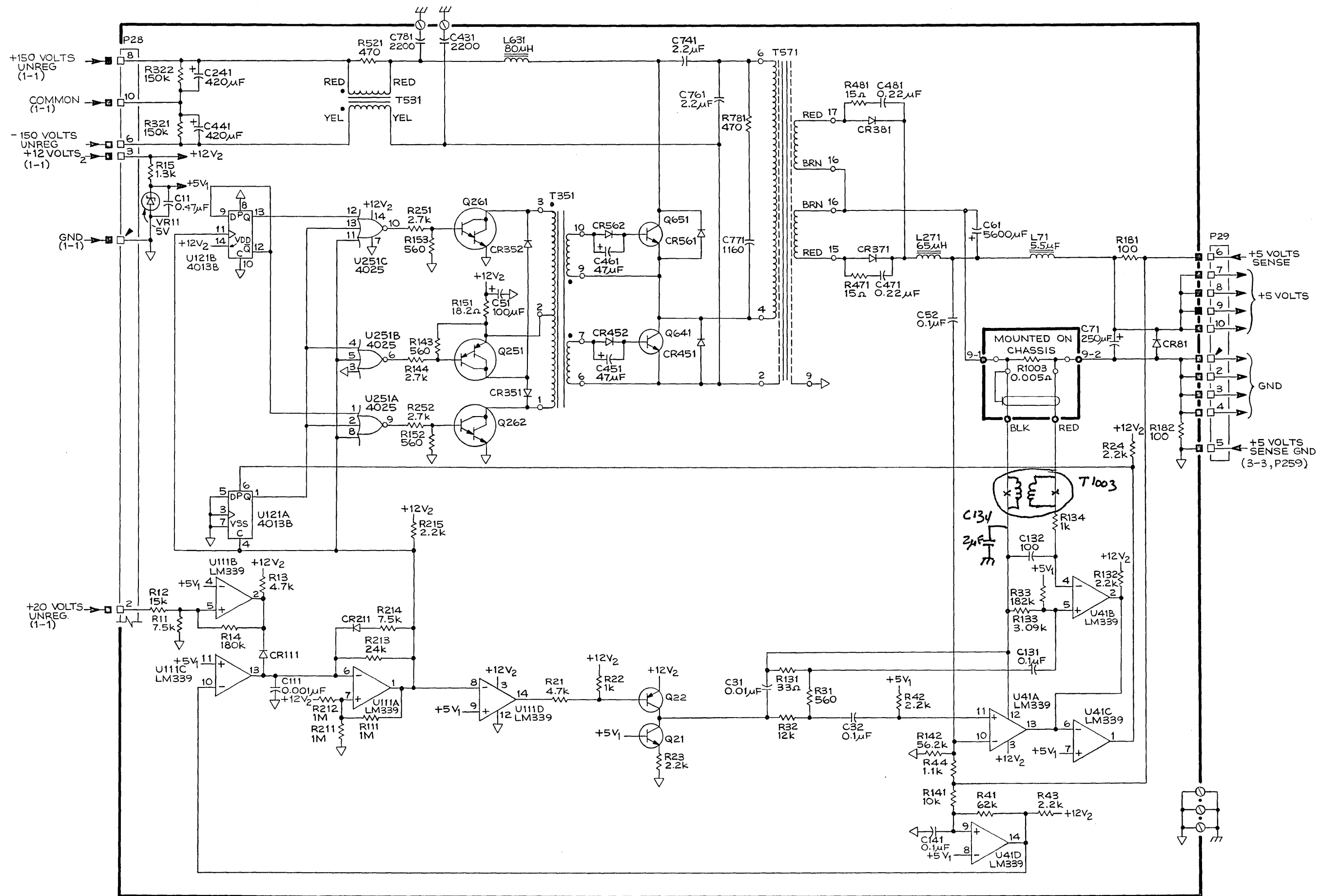
COMPONENT NUMBER EXAMPLE

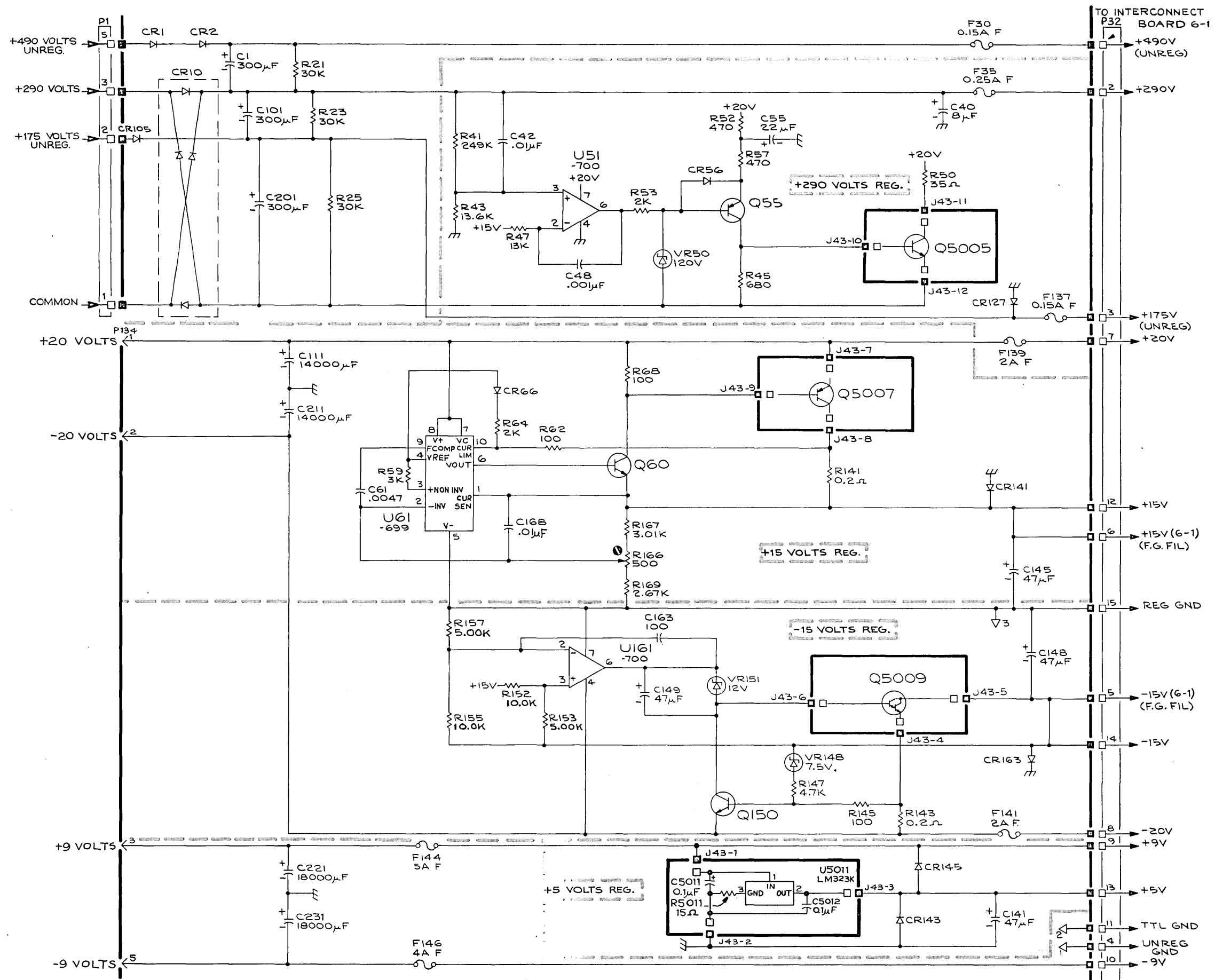


Chassis-mounted components have no Assembly Number prefix—see end of Replaceable Electrical Parts List.



+5 Volt Output Board Component Locations (670-5622-00).



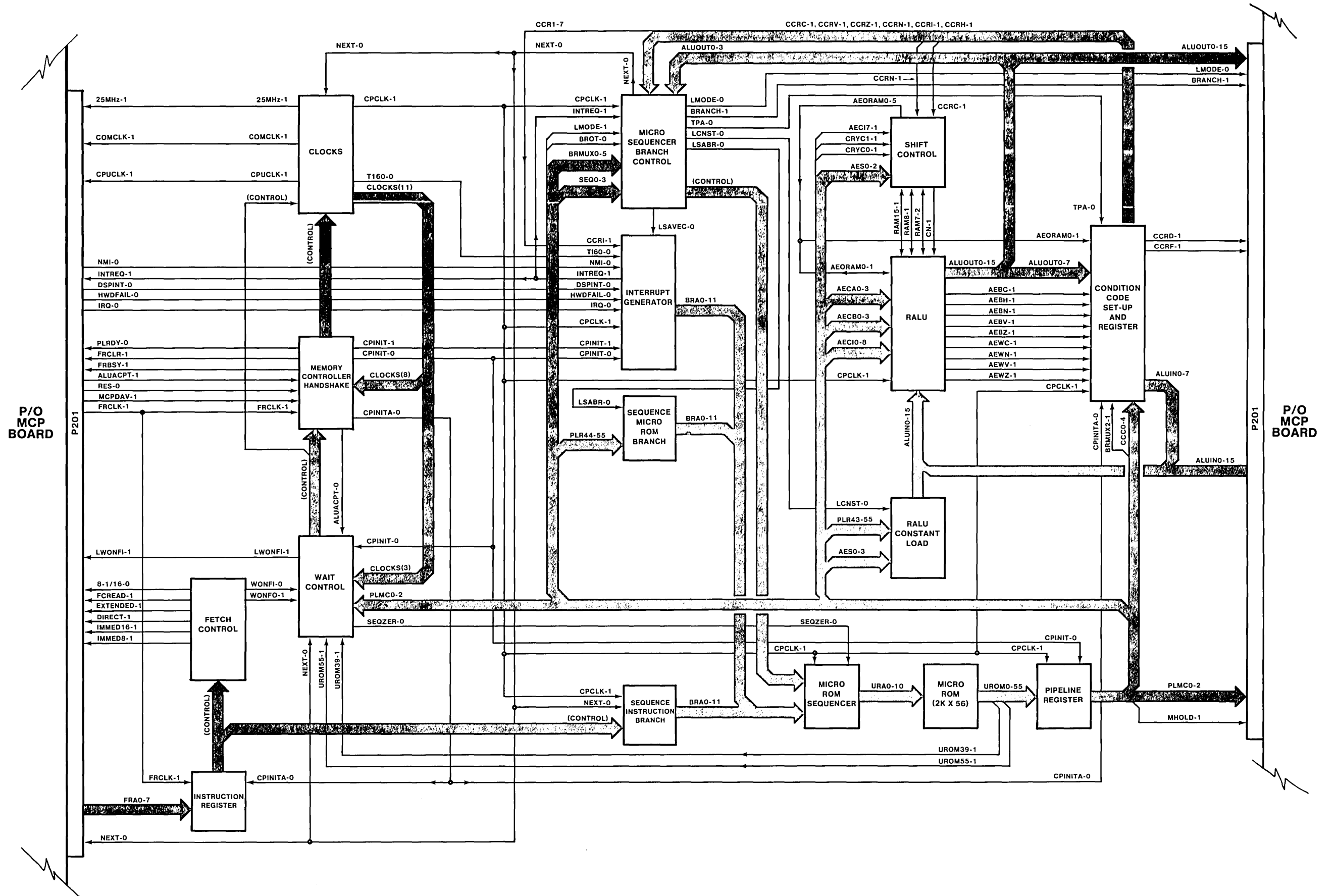


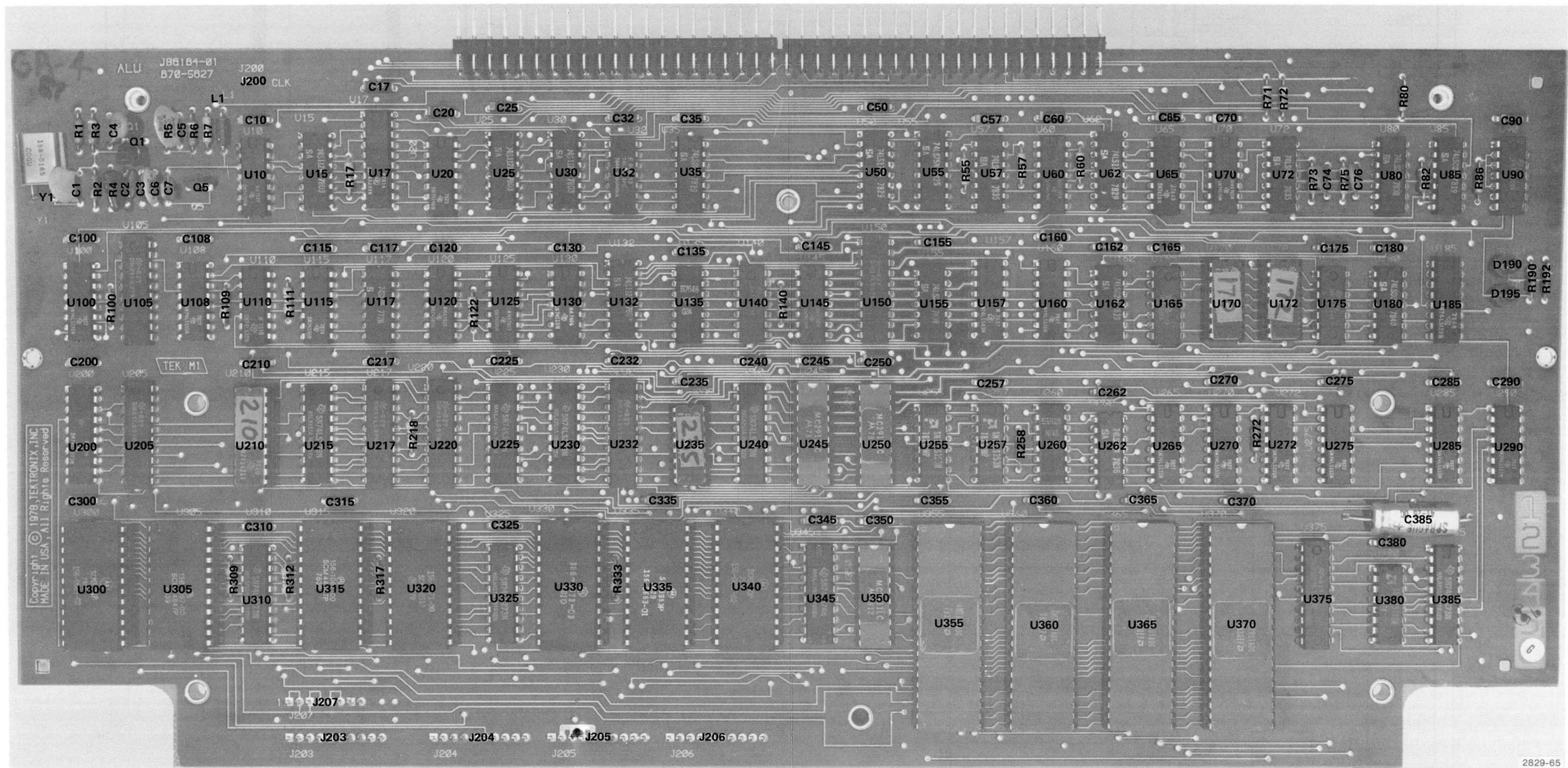
4054

2839-3
@

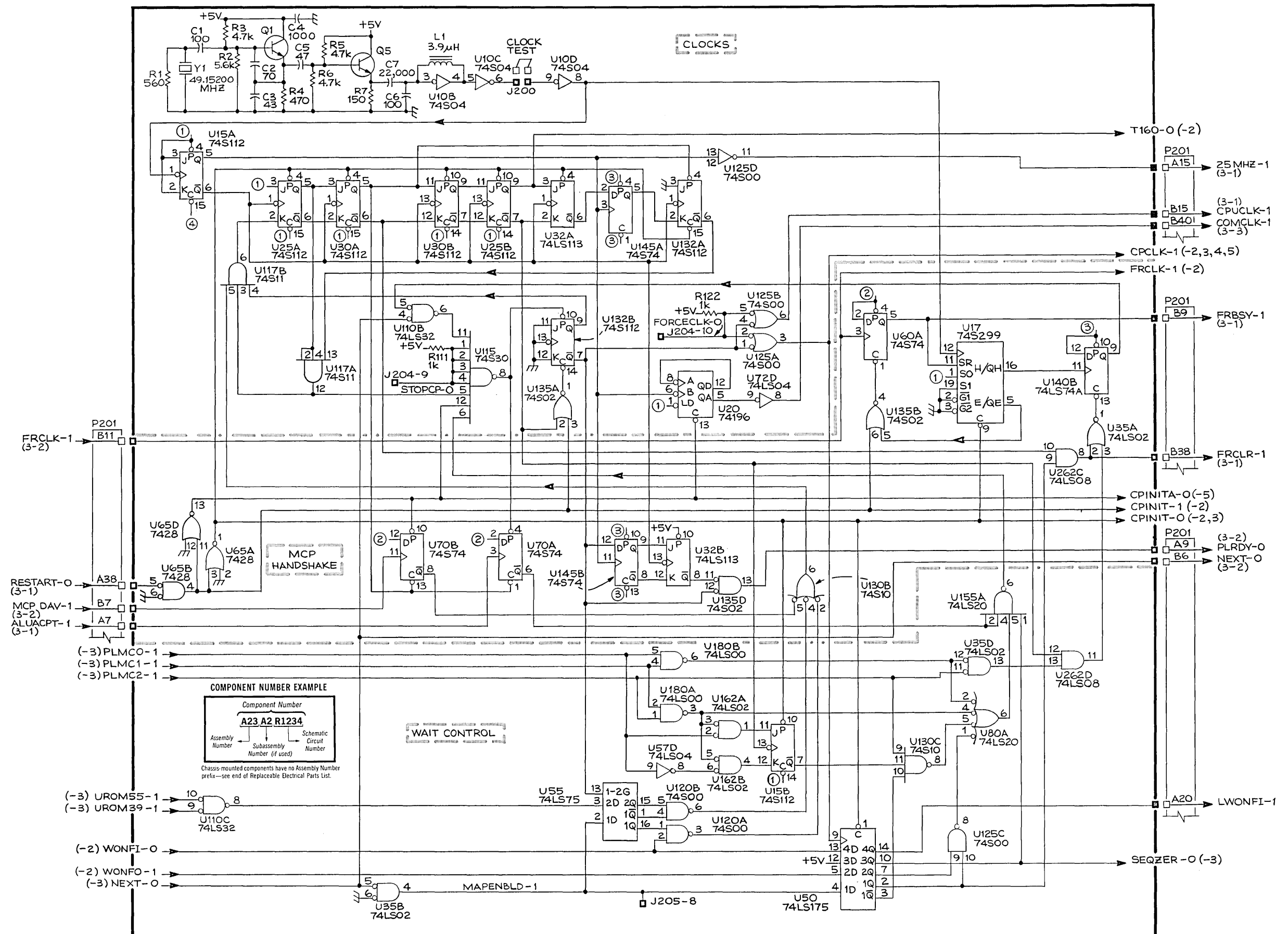
670-4798-01 LOW VOLTAGE POWER SUPPLY

1-3





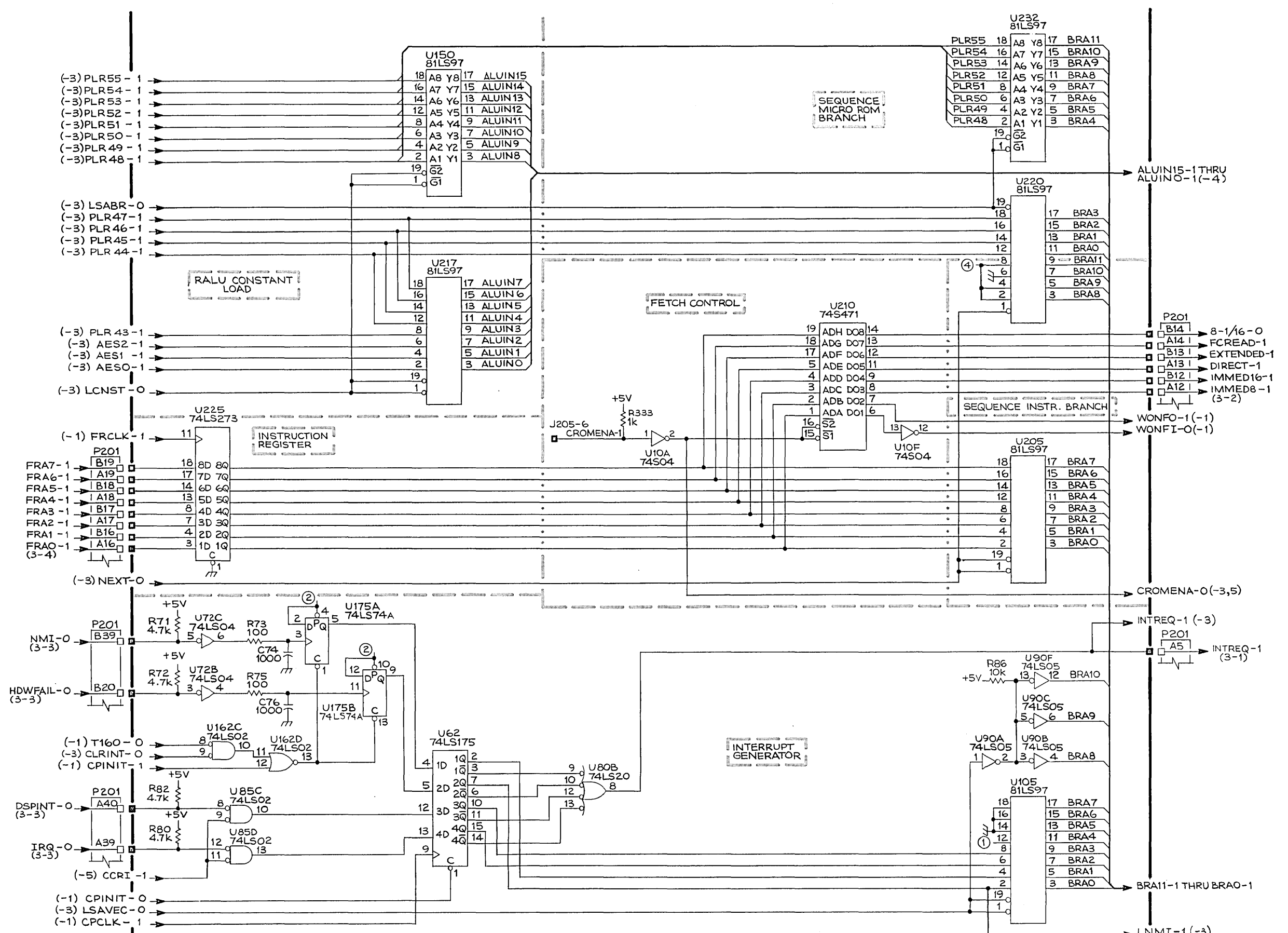
ALU Board Component Locations (670-5627-01).

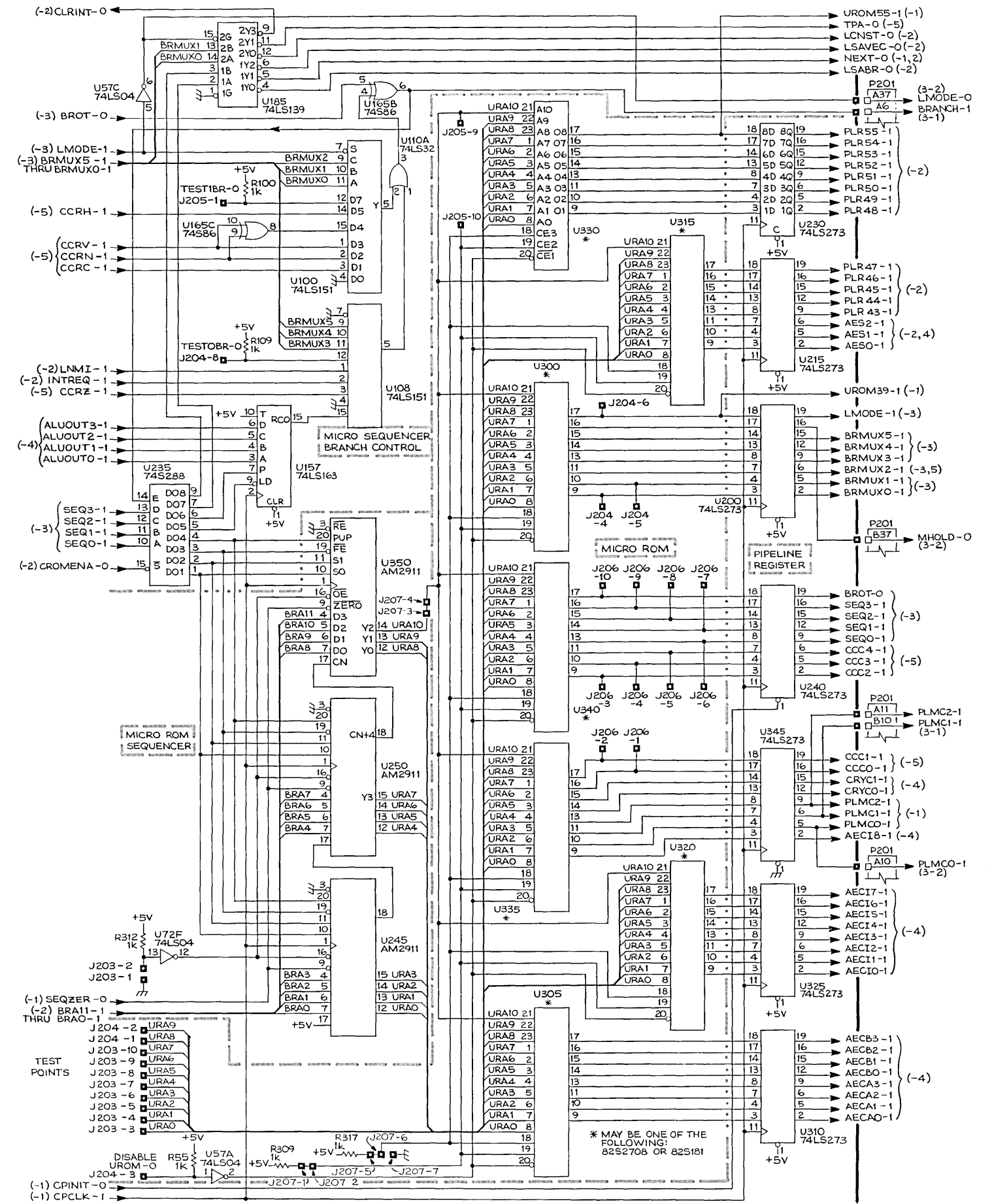


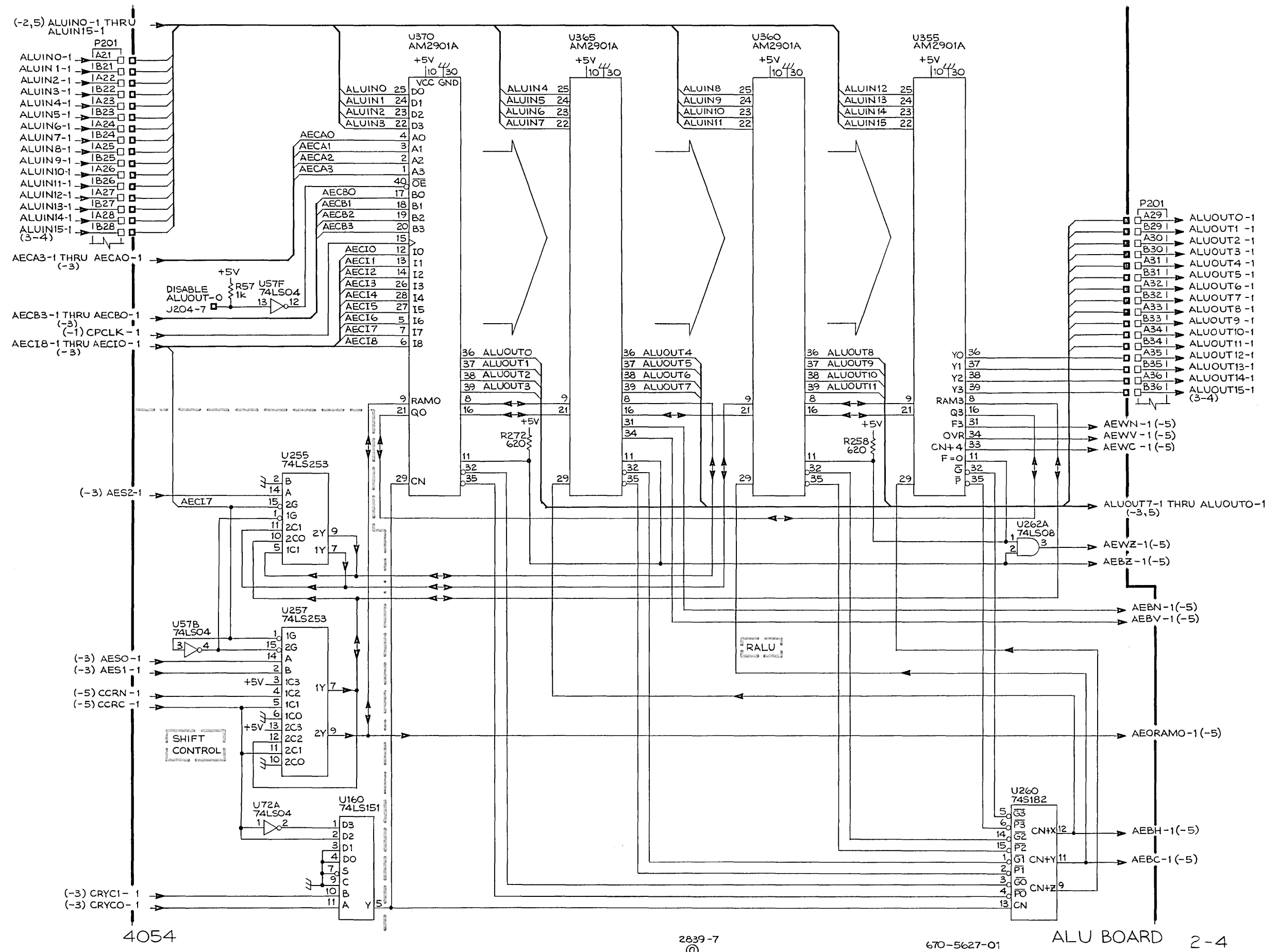
COMPONENT NUMBER EXAMPLE

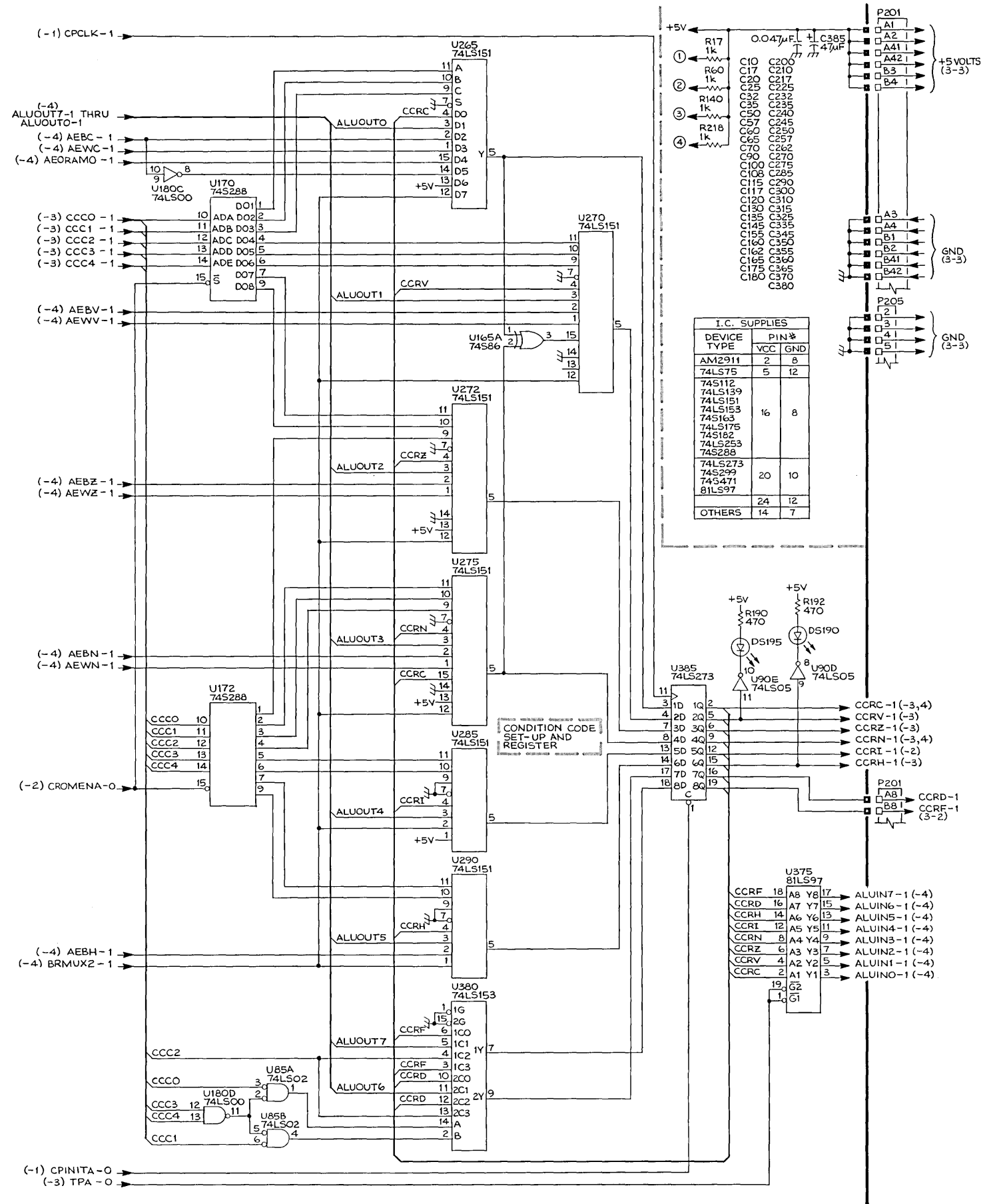
Component Number		
A23	A2	R1234
Assembly Number	Subassembly Number (if used)	Schematic Circuit Number

Chassis-mounted components have no Assembly Number prefix—see end of Replaceable Electrical Parts List.

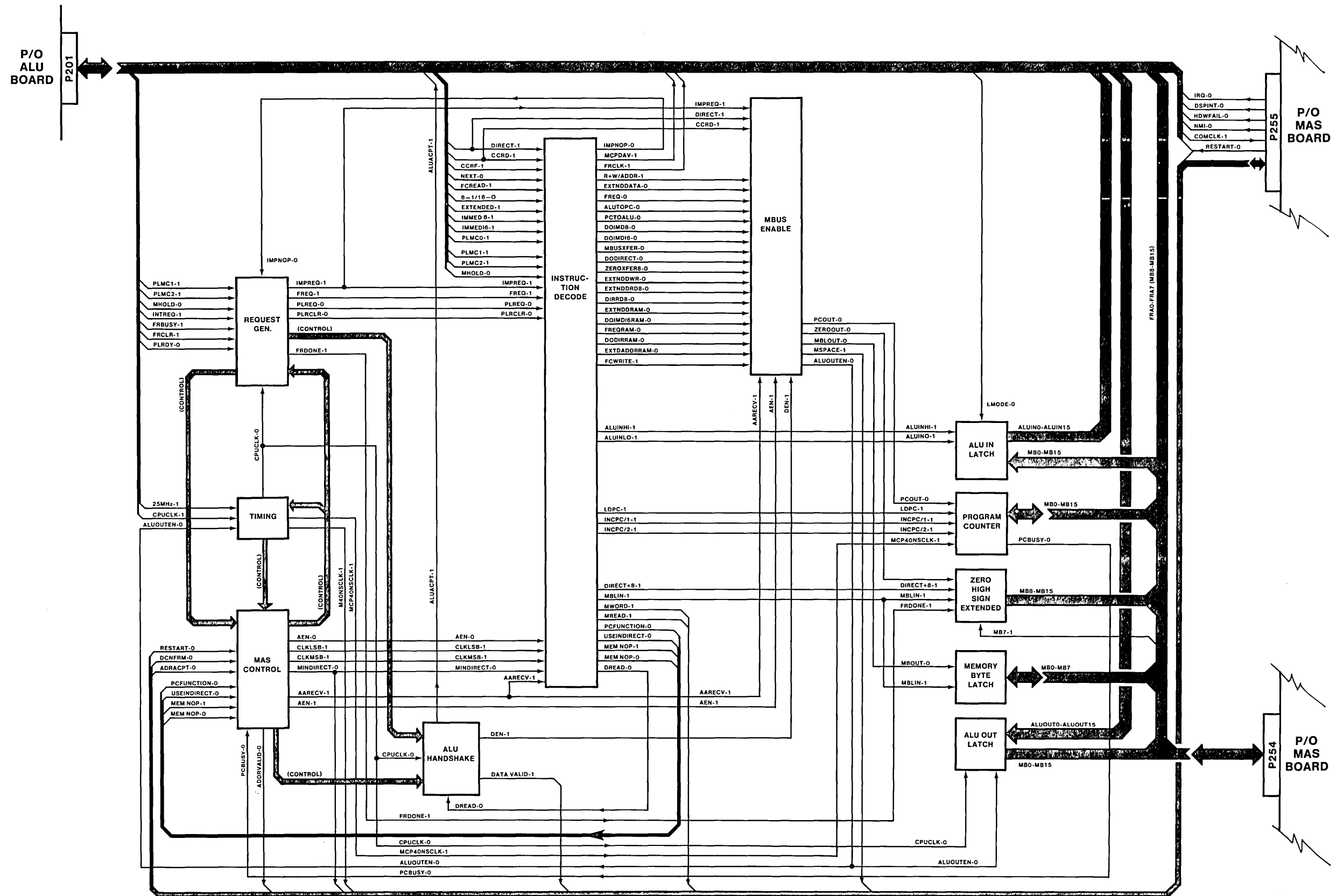


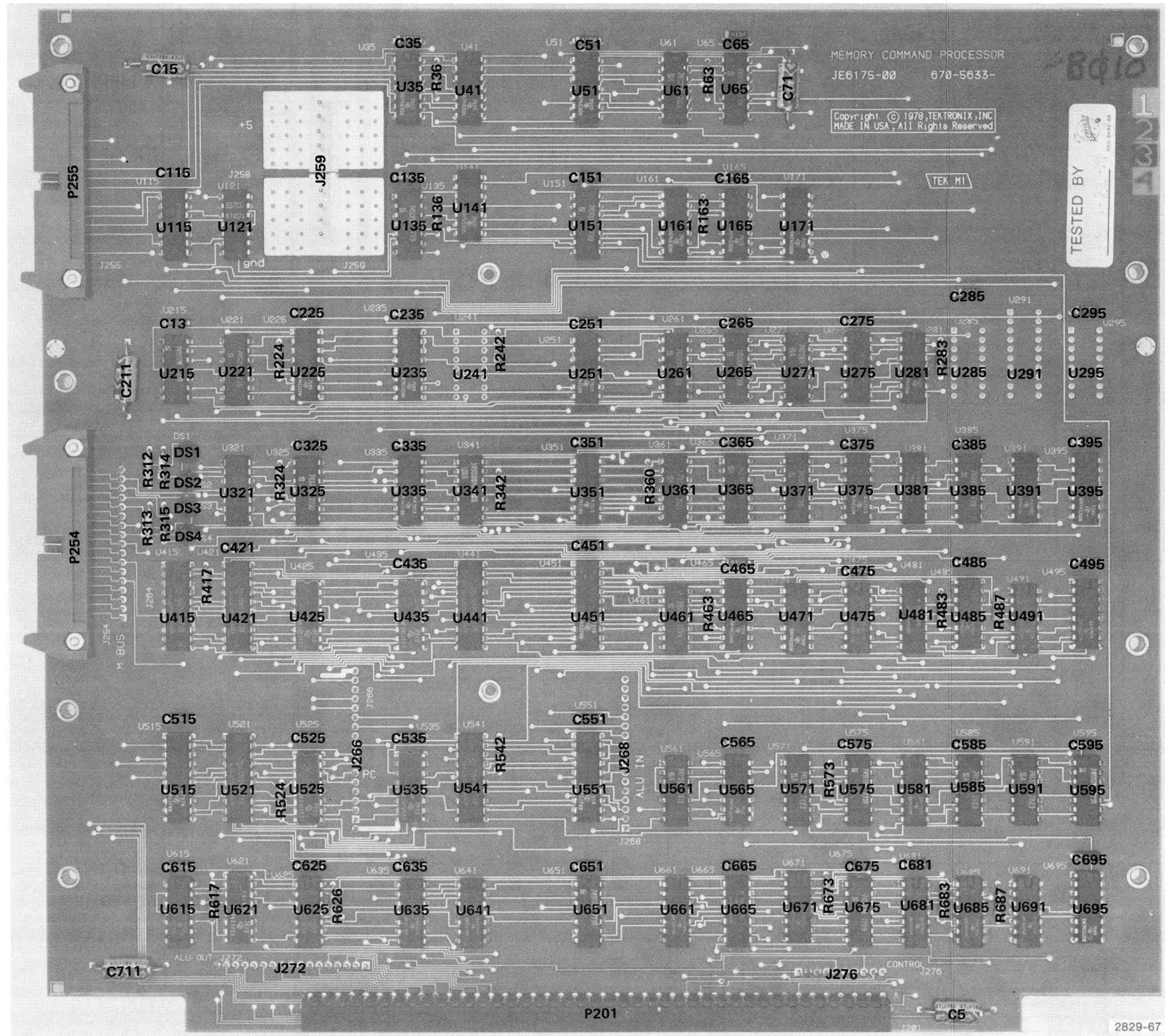




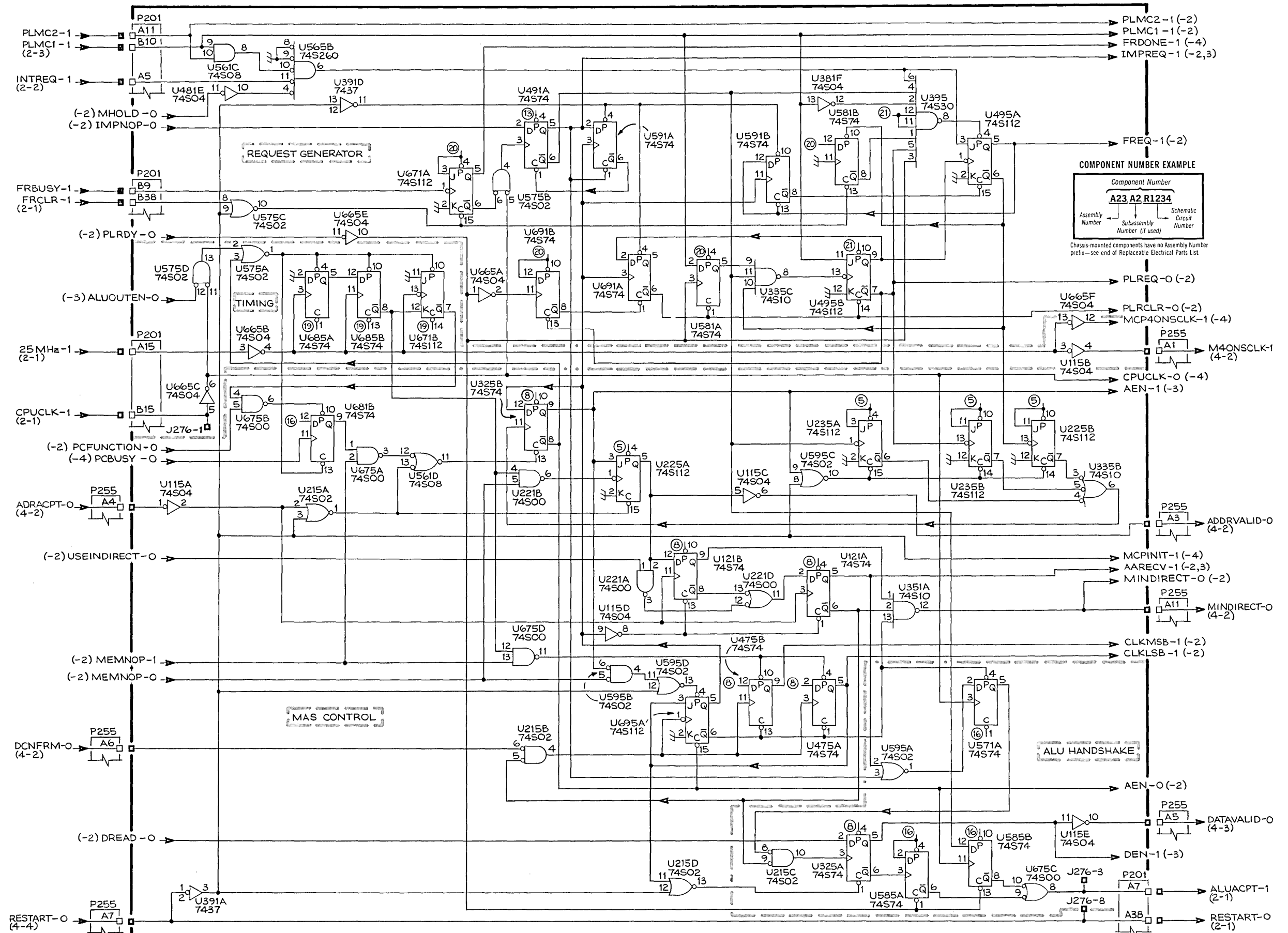


I.C. SUPPLIES		
DEVICE TYPE	VCC	PIN #
AM2911	2	8
74LS75	5	12
74S112		
74LS139		
74LS151	16	8
74S163		
74LS175		
74S182		
74LS253		
74S288		
74LS273	20	10
74S299		
74S471		
81LS97	24	12
OTHERS	14	7





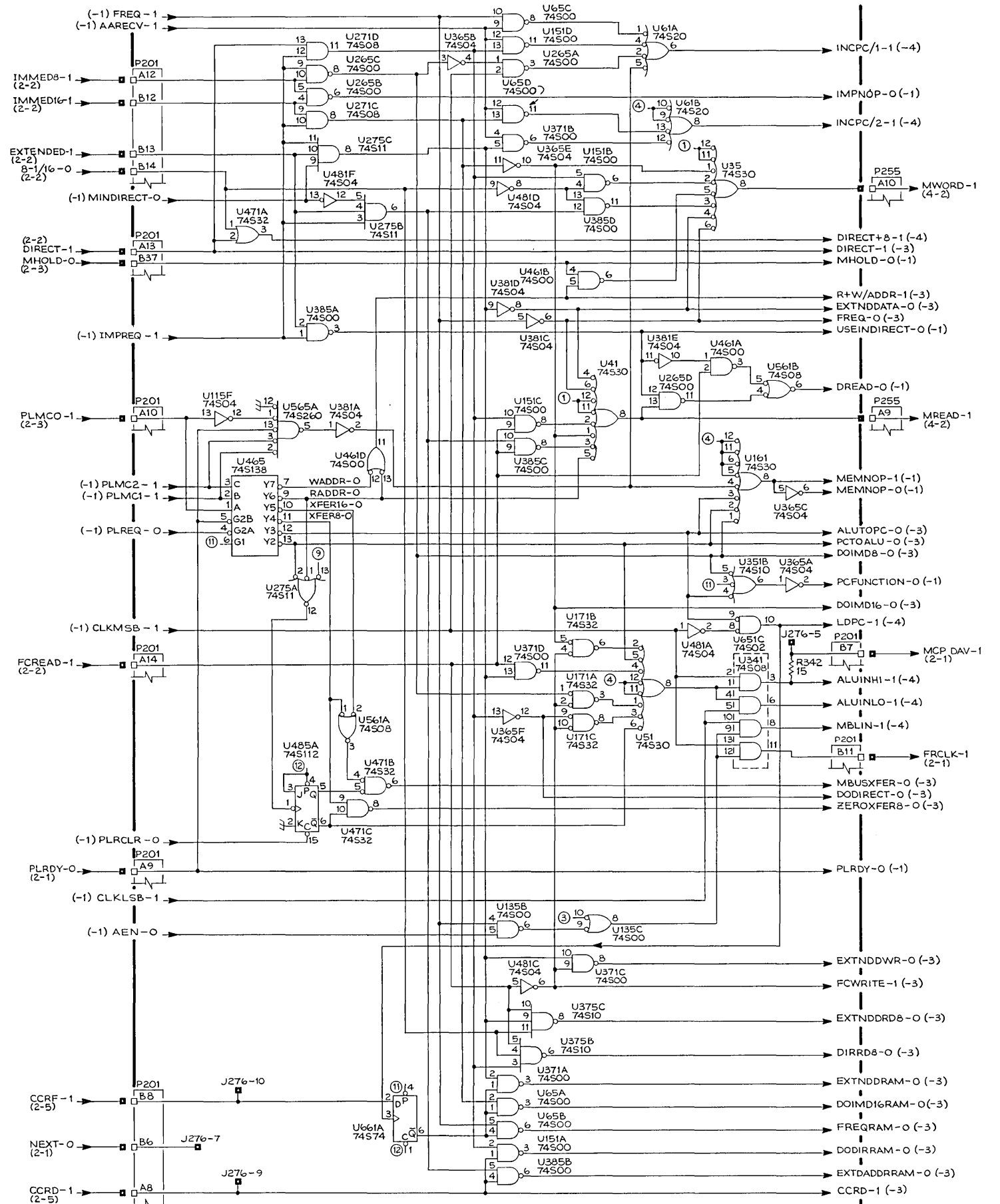
MCP Board Component Locations (670-5633-00).



COMPONENT NUMBER EXAMPLE

Component Number			
A23	A2	R1234	
Assembly Number	Subassembly Number (if used)	Schematic Circuit Number	

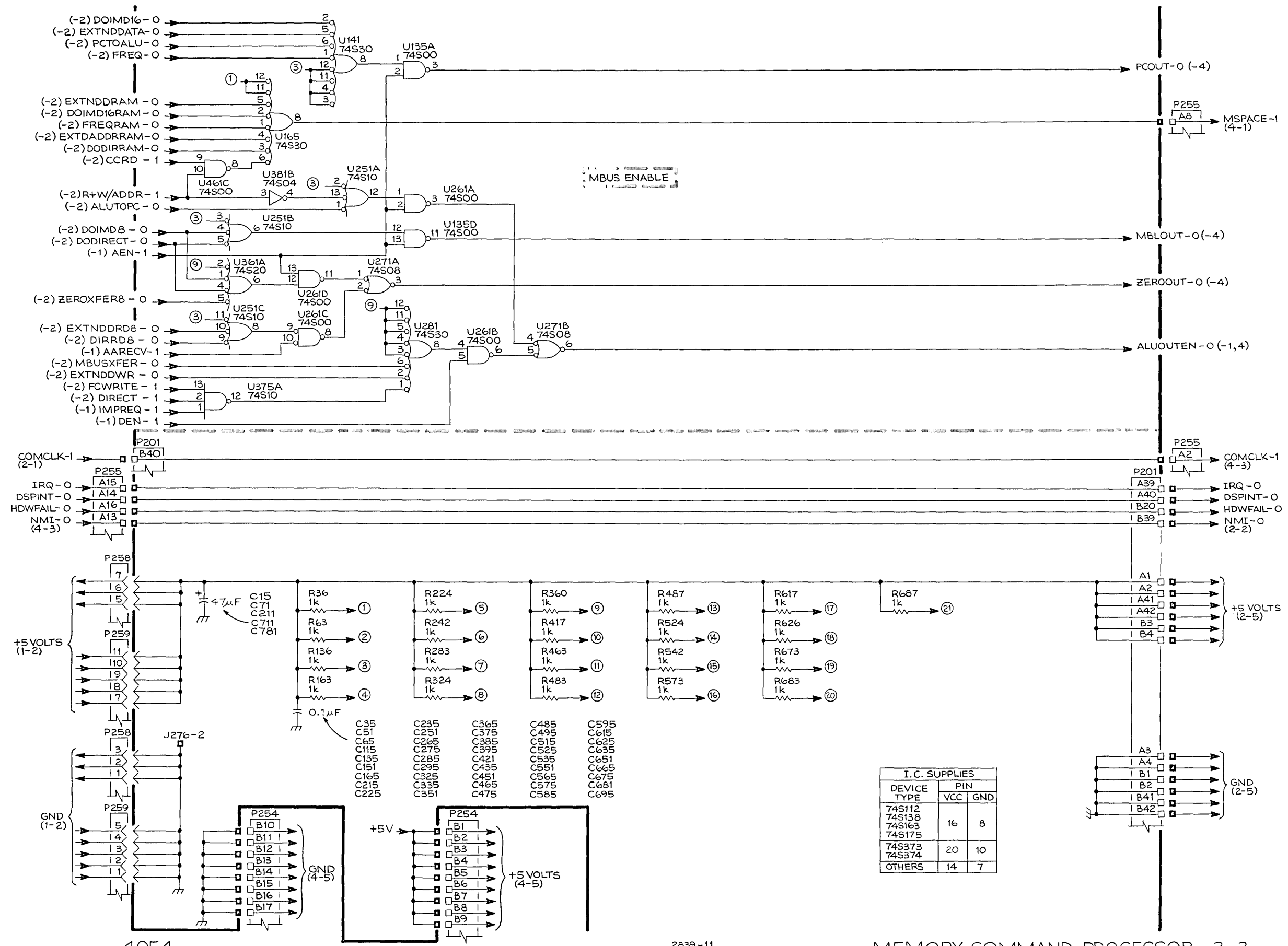
Chassis-mounted components have no Assembly Number prefix—see end of Replaceable Electrical Parts List.



4054

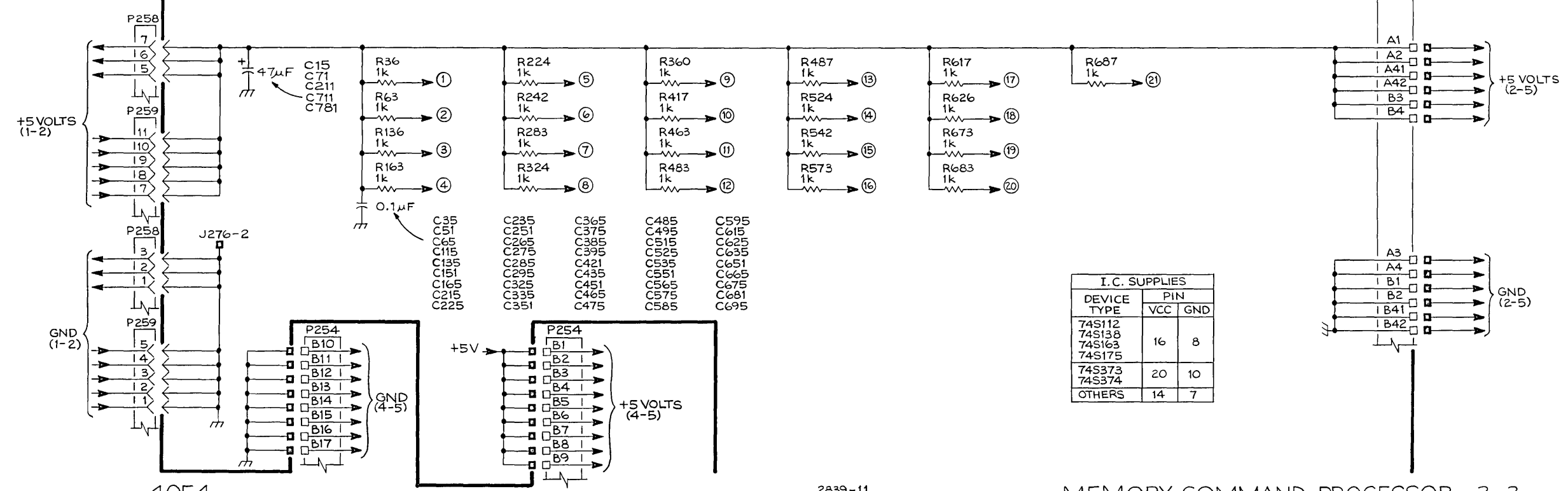
670-5633-00
2839-10 ©

MEMORY COMMAND PROCESSOR 3-2
INSTRUCTION DECODE



COMCLK-1 (2-1)
 IRQ-O (A15)
 DSPINT-O (A14)
 HDWFALL-O (A16)
 NMI-O (A13) (4-3)

PCOUT-O (-4)
 MSPACE-1 (4-1)
 MBL0UT-O (-4)
 ZEROOUT-O (-4)
 ALUOUTEN-O (-1,4)
 COMCLK-1 (4-3)
 IRQ-O (A39)
 DSPINT-O (A40)
 HDWFALL-O (B20)
 NMI-O (B39) (2-2)



4054

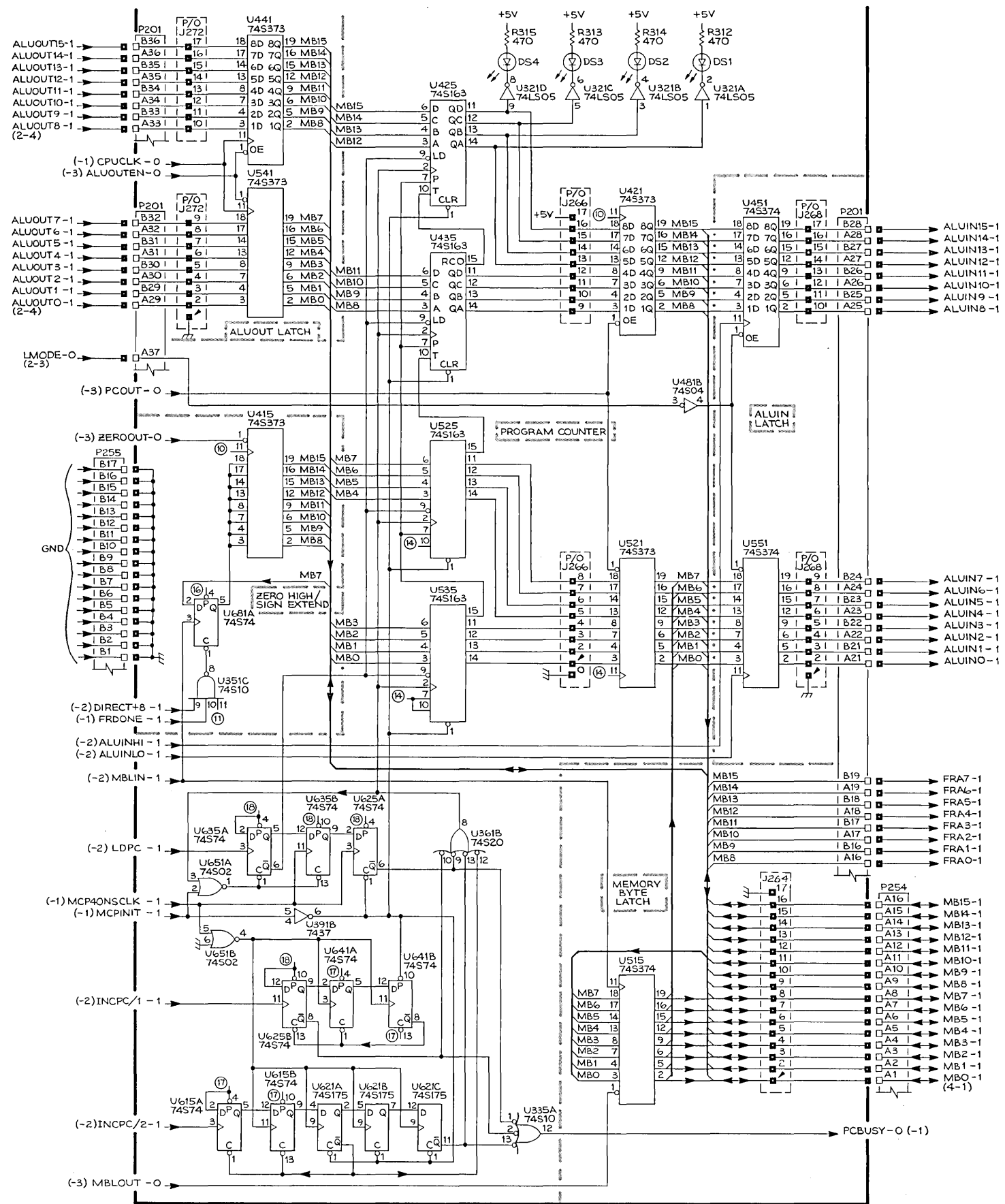
2839-11

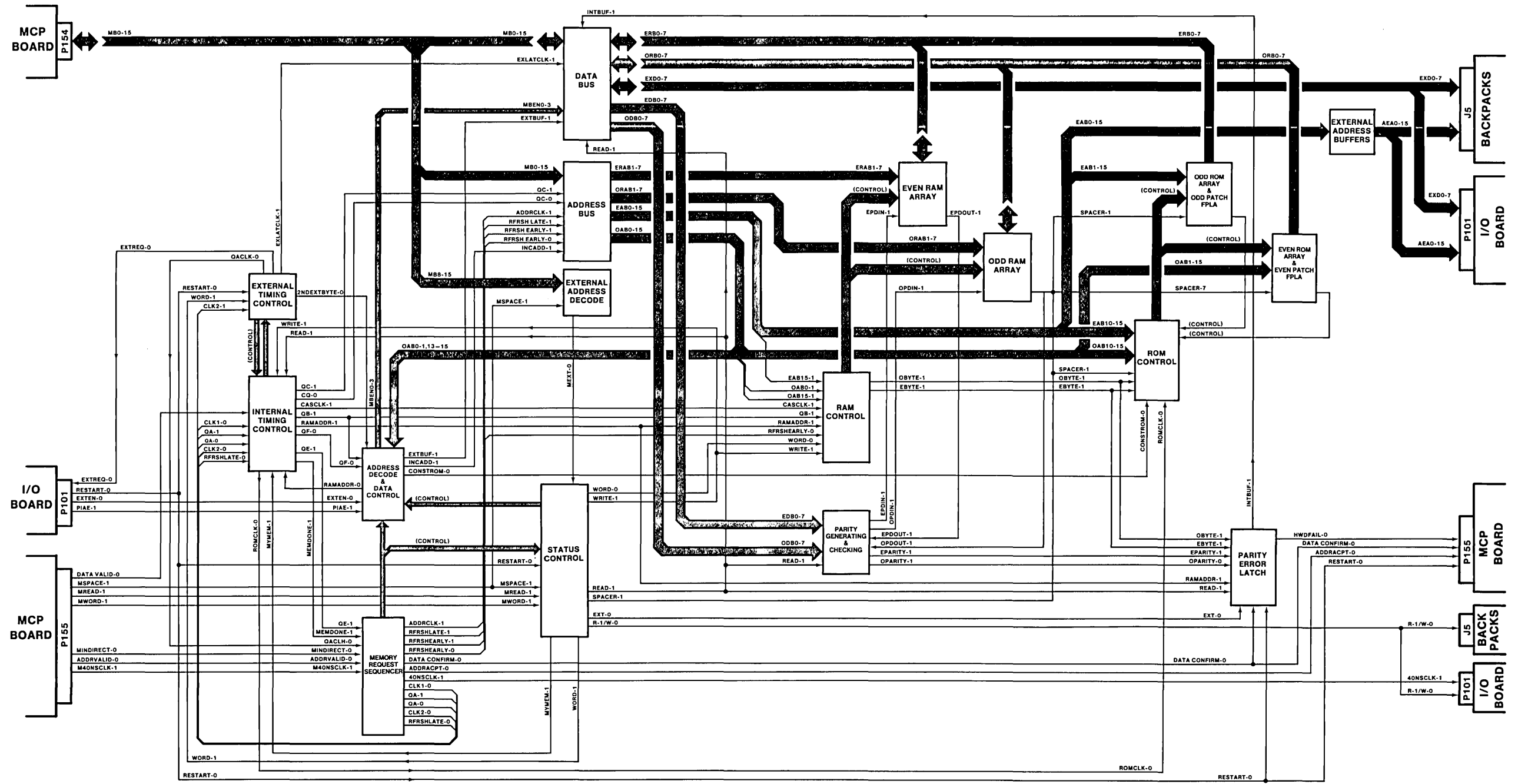
670-5633-00

MEMORY COMMAND PROCESSOR 3-3

670-5633-00

3-3

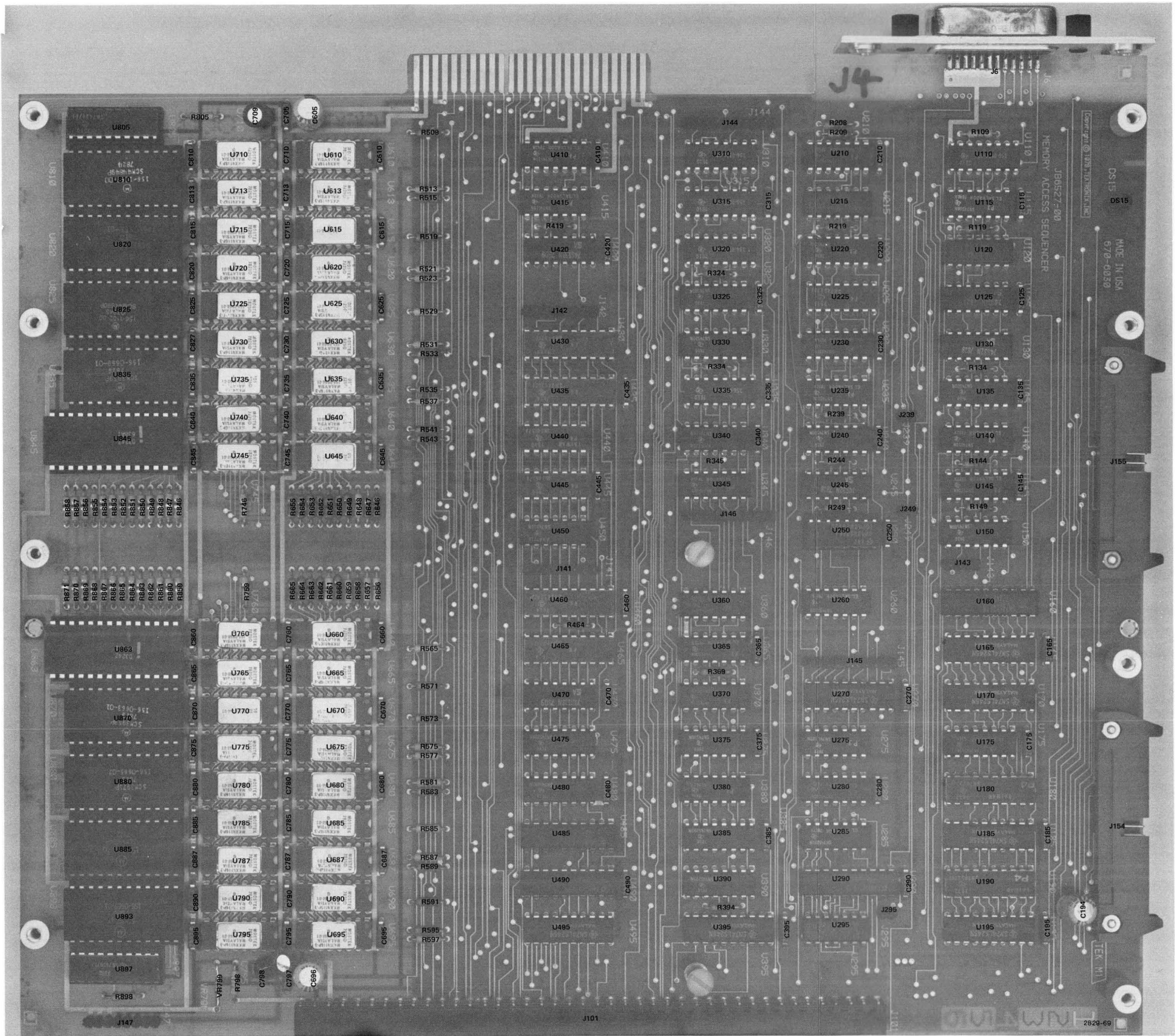




4054

MAS BLOCK DIAGRAM

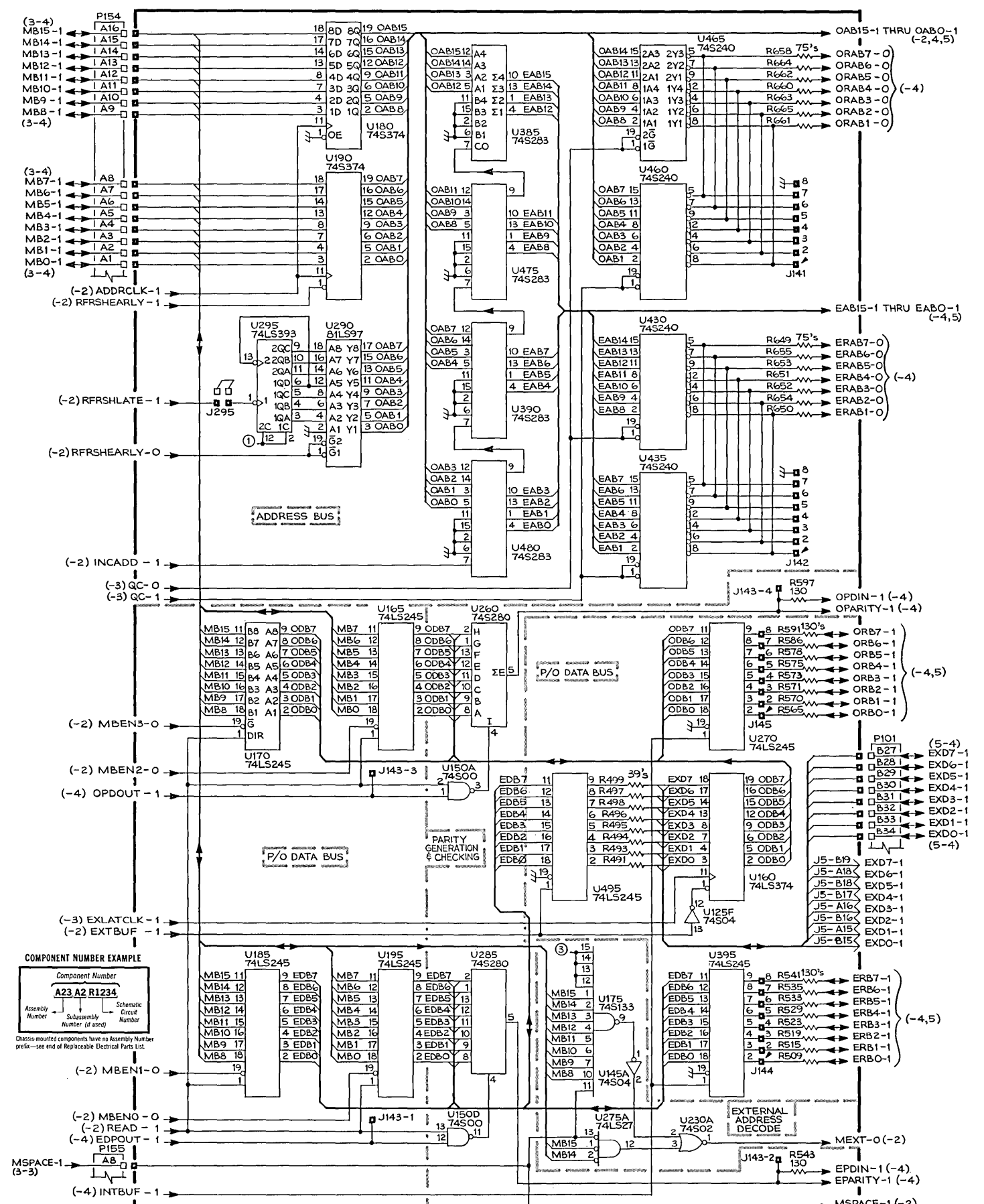
(2829) 2839-16



MAS Board Component Locations (670-6030-01, 02).

REV A, FEB 1980

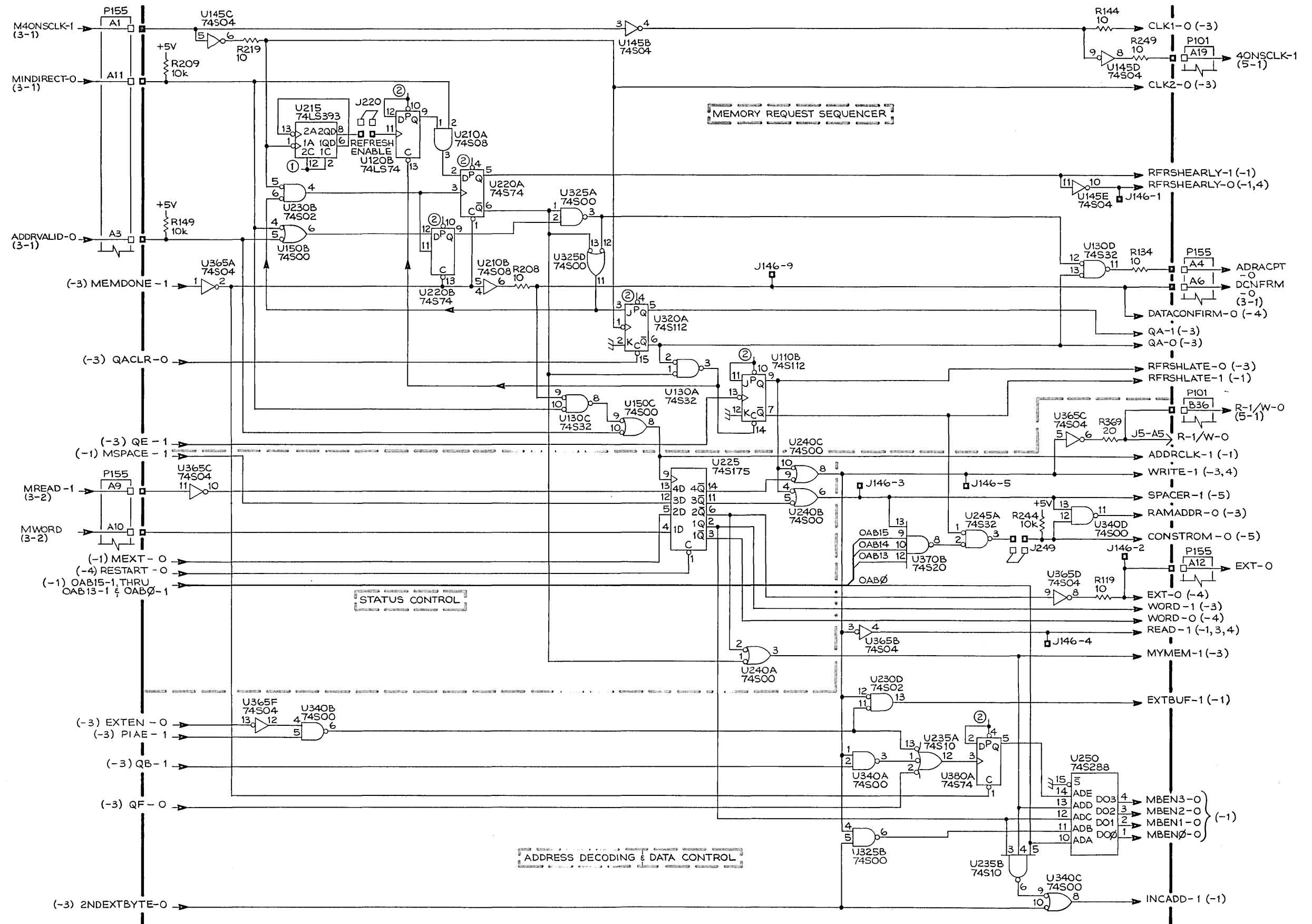
4054 PARTS AND SCHEMATICS

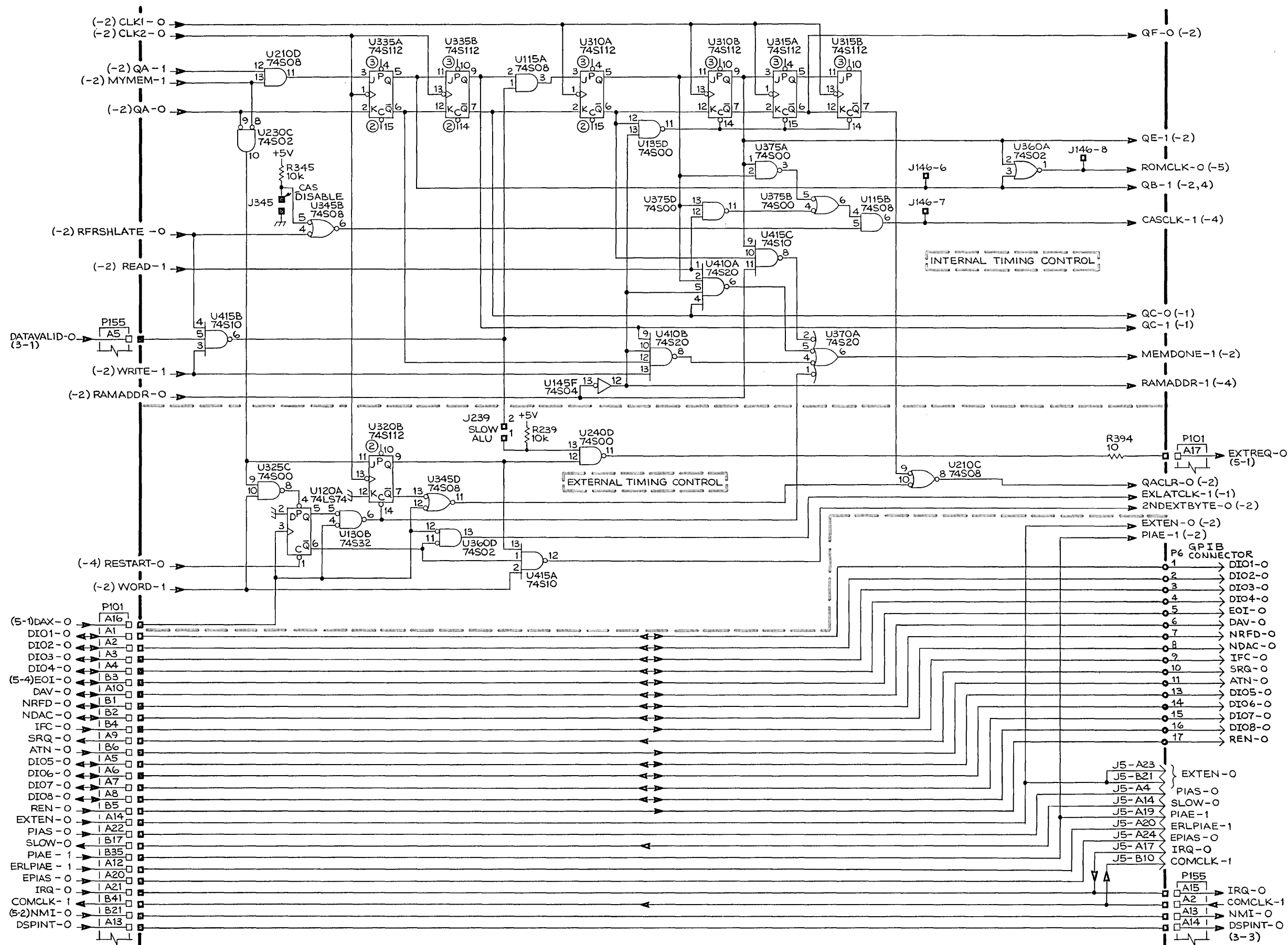


COMPONENT NUMBER EXAMPLE

Component Number	A23 A2 R1234
Assembly Number	Subassembly Number (if used)
Schematic Circuit Number	

Chassis mounted components have no Assembly Number prefix—see end of Replaceable Electrical Parts List.





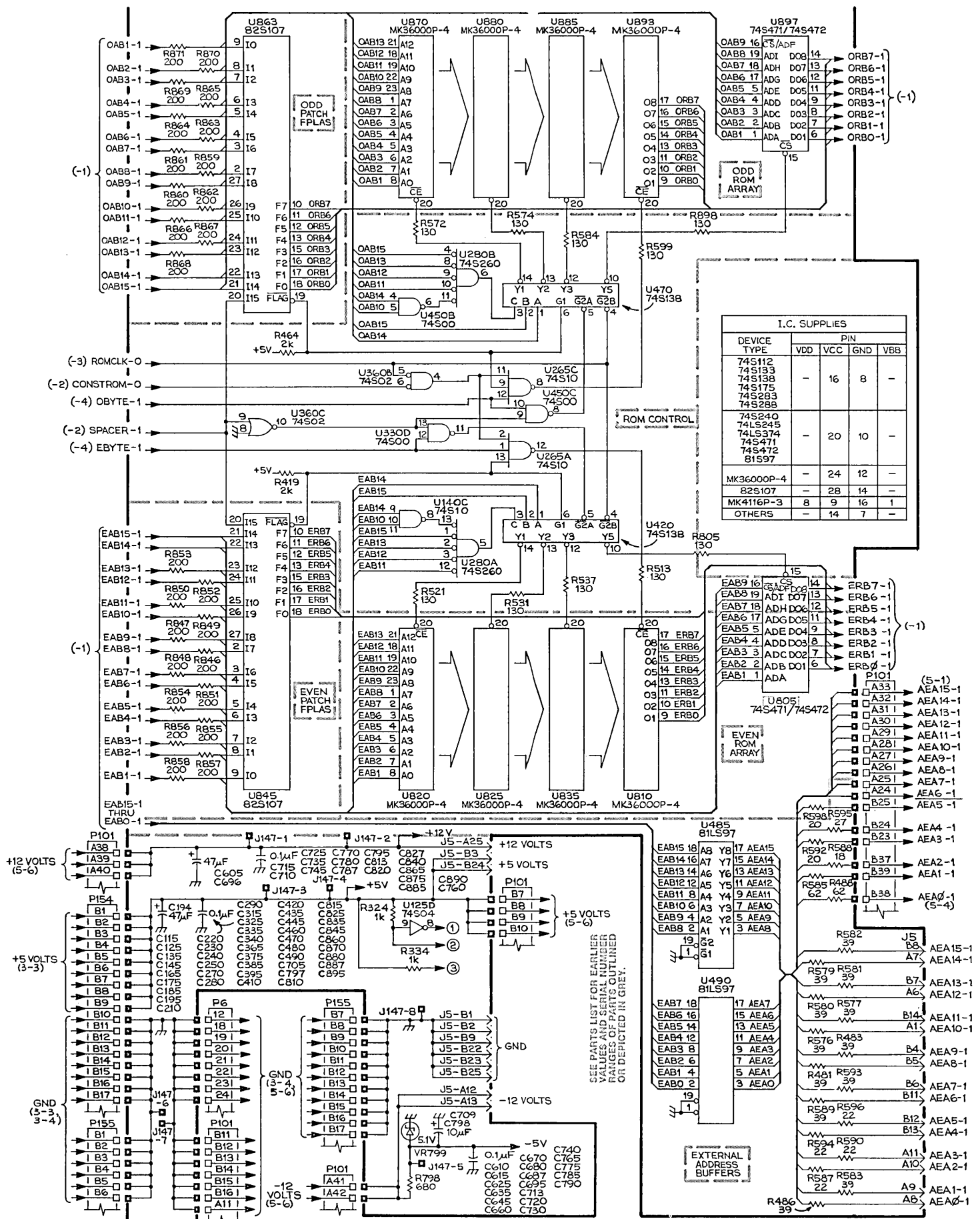
4054

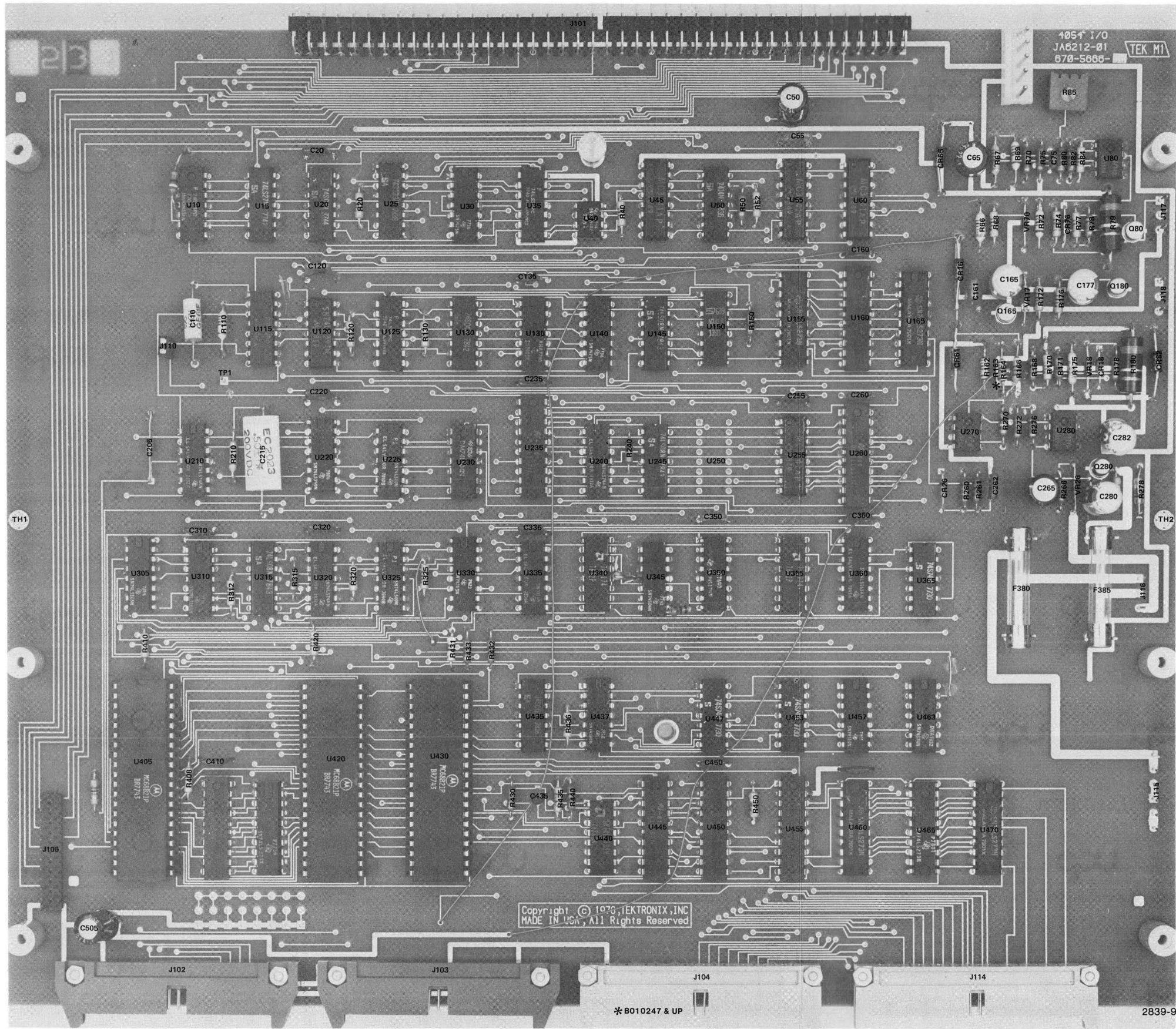
2839-15
REVA, FEB 1980

670-6030-01,02

MEMORY ACCESS SEQUENCER

4-3

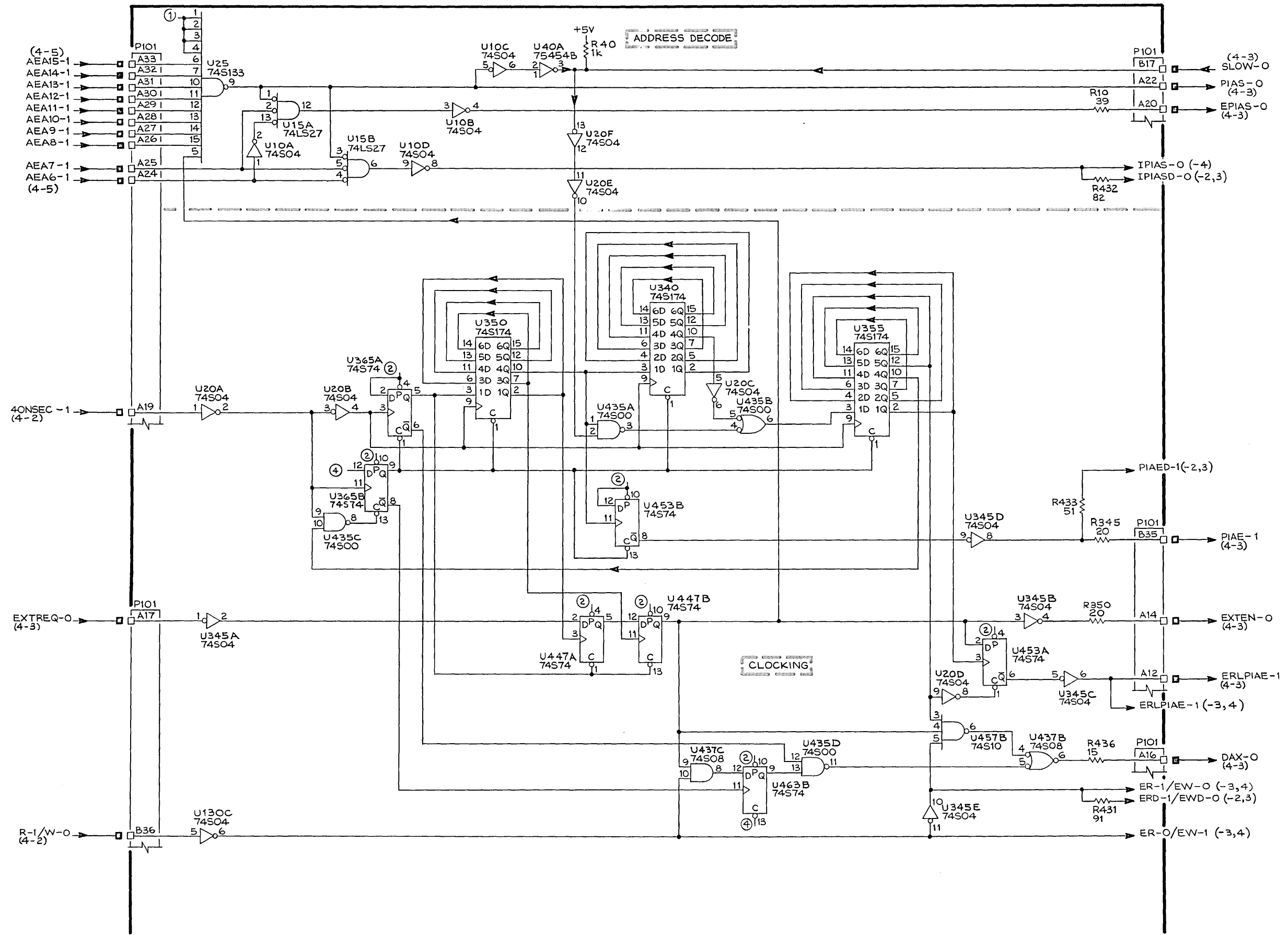


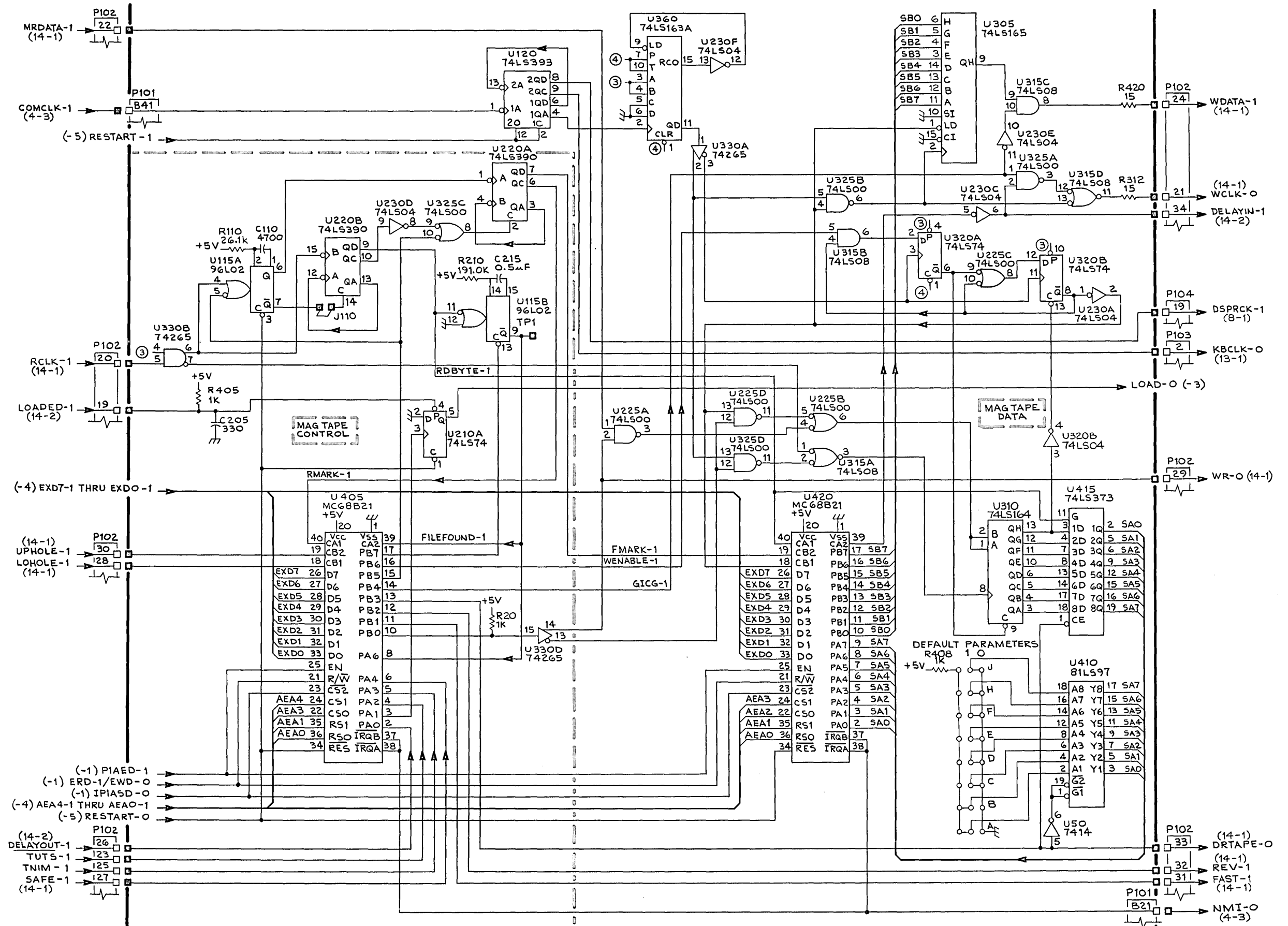


I/O Board Component Locations (670-5666-00, 01).

REV A, FEB 1980

4054 PARTS AND SCHEMATICS

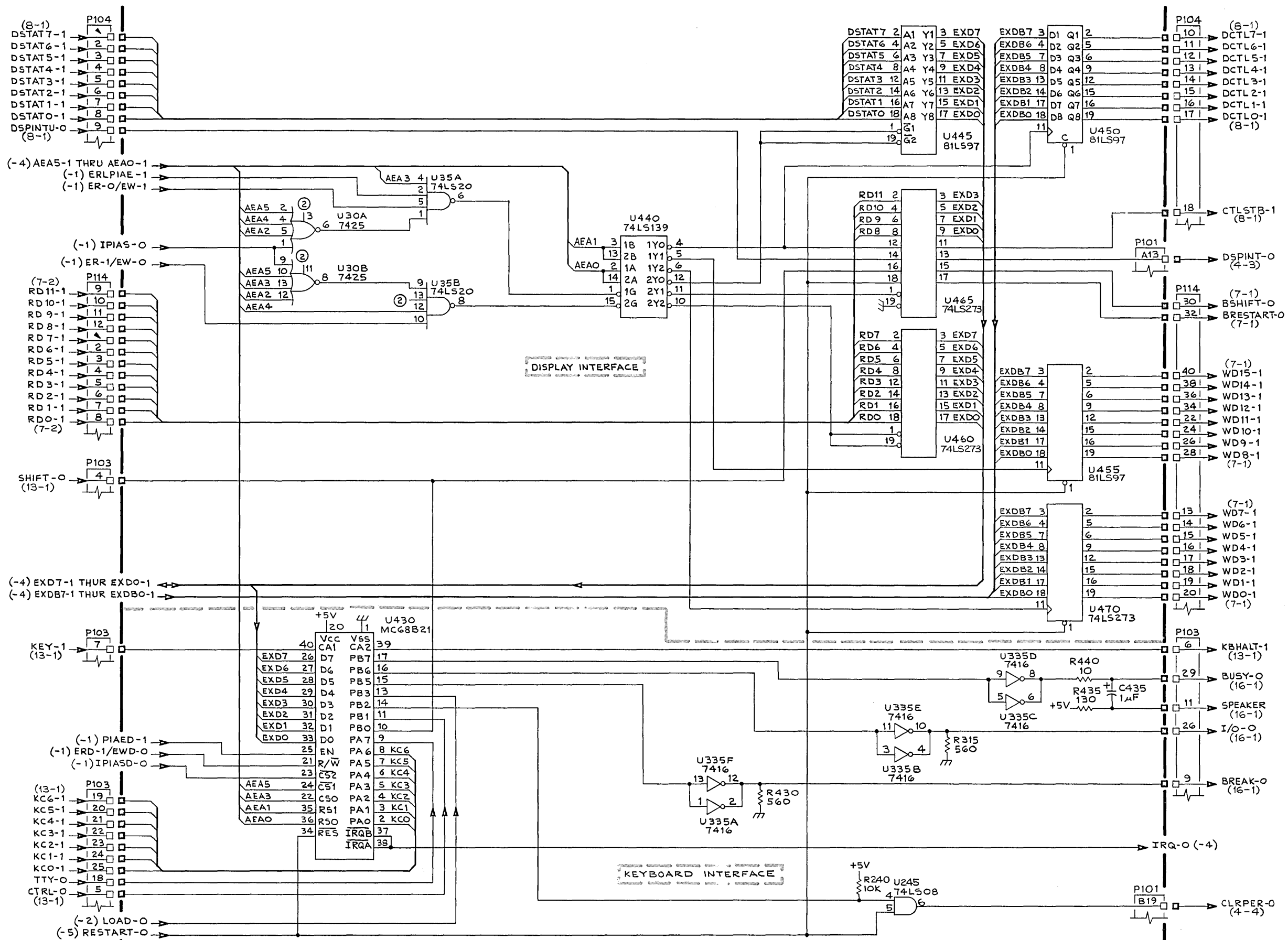




4054

2839-19
REVA, FEB 1980

670-5666-00,01 I/O BOARD 5-2

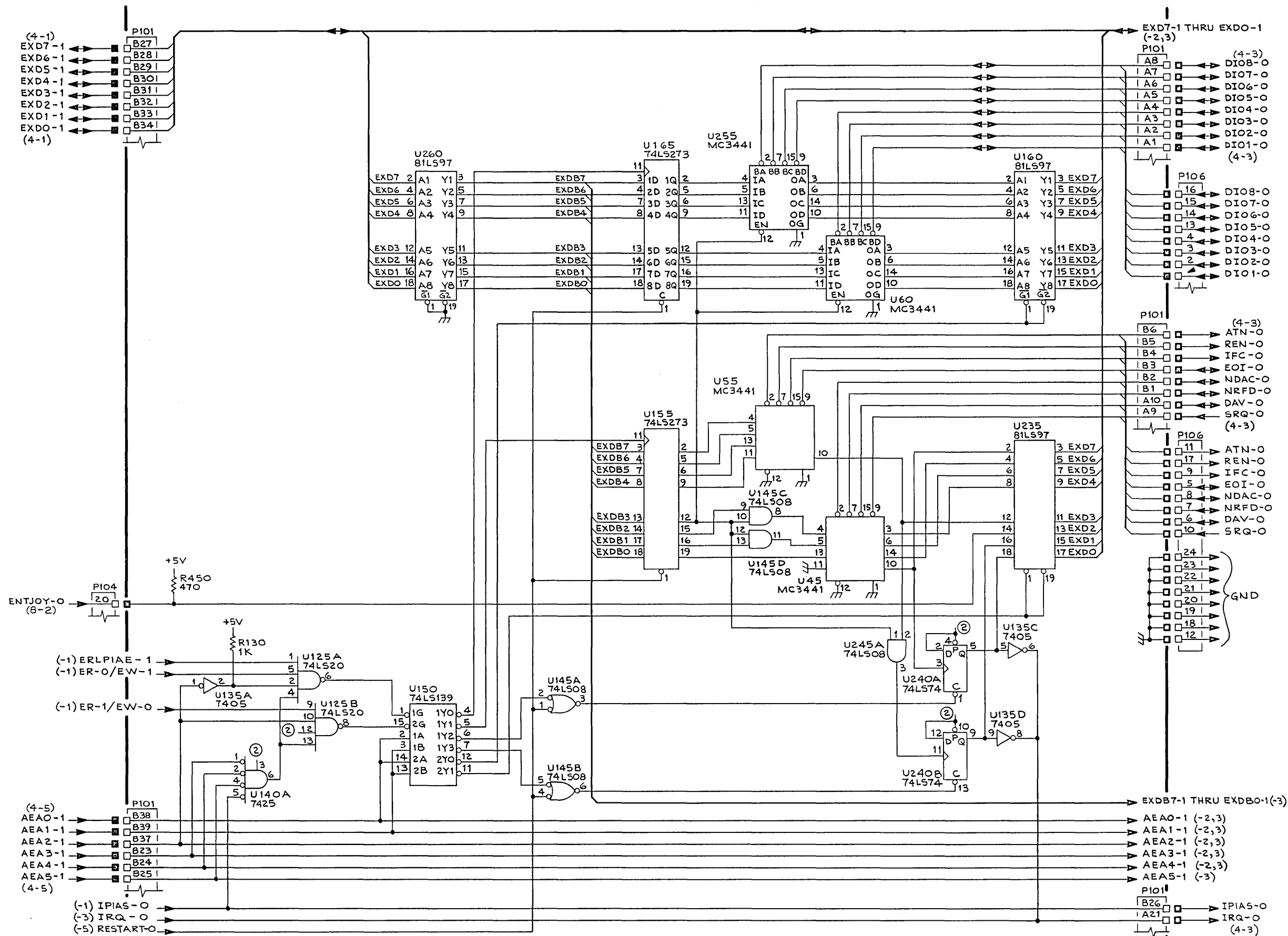


4054

2839-20
REVA, FEB 1980

670-5666-00,01

I/O BOARD 5-3

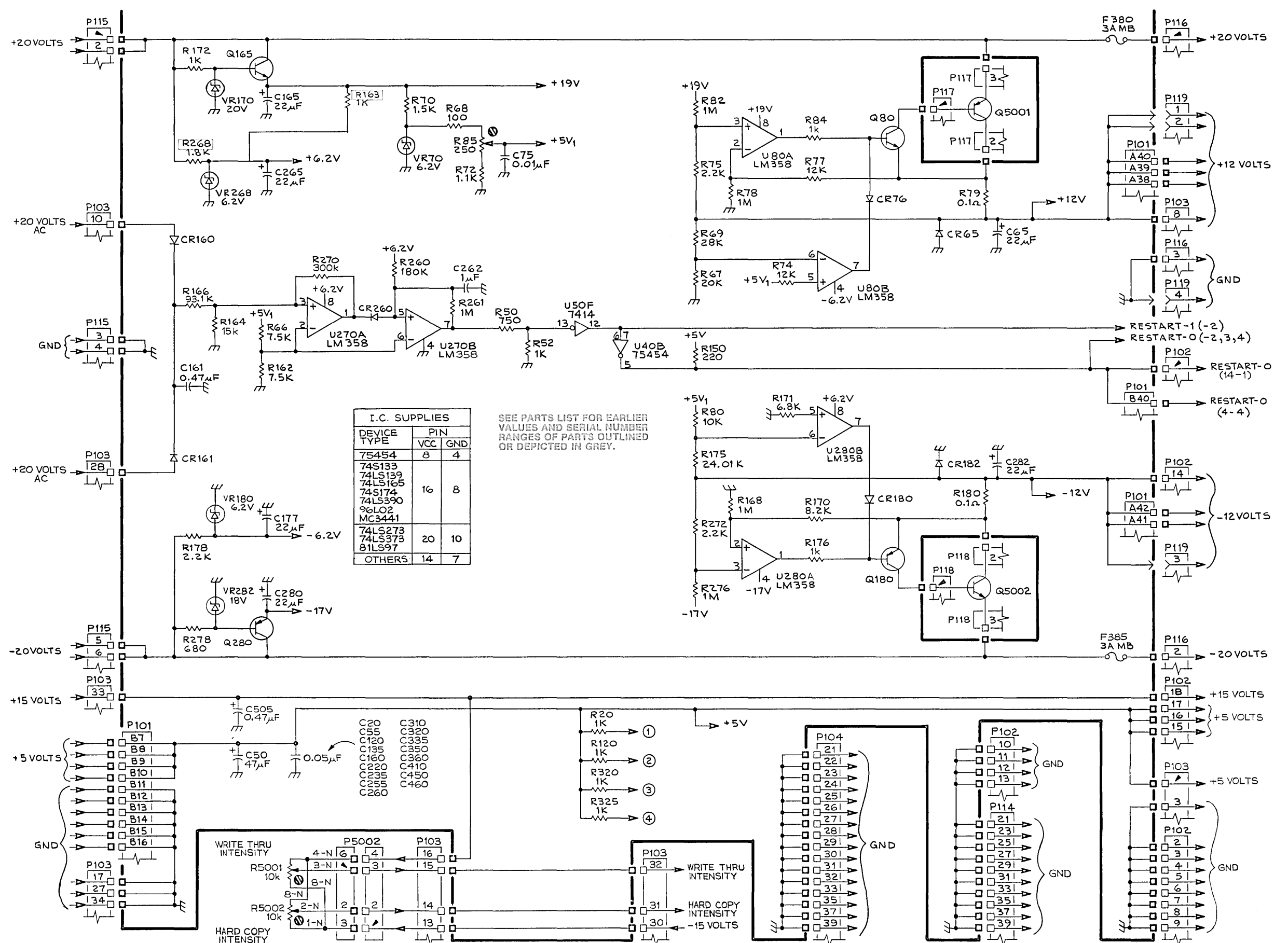


4054

2839-21
REVA, FEB 1980

670-5666-00,01

I/O BOARD
GPIB INTERFACE 5-4



I.C. SUPPLIES

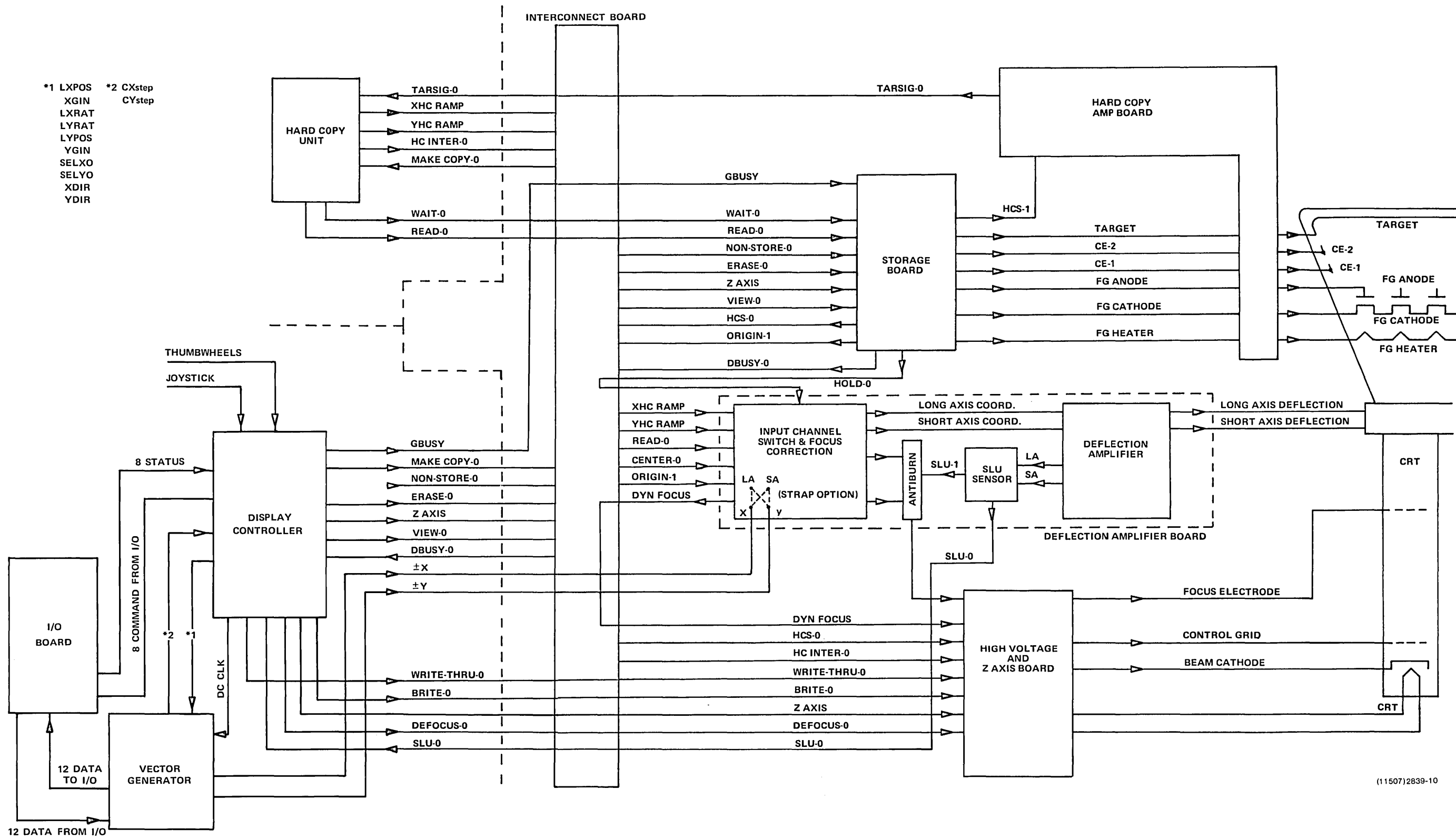
DEVICE TYPE	PIN	VCC	GND
75454	8	4	
74S133	16	8	
74LS139			
74LS165			
74S174			
74LS390			
96L02			
MC3441			
74LS273	20	10	
74LS373			
81LS97			
OTHERS	14	7	

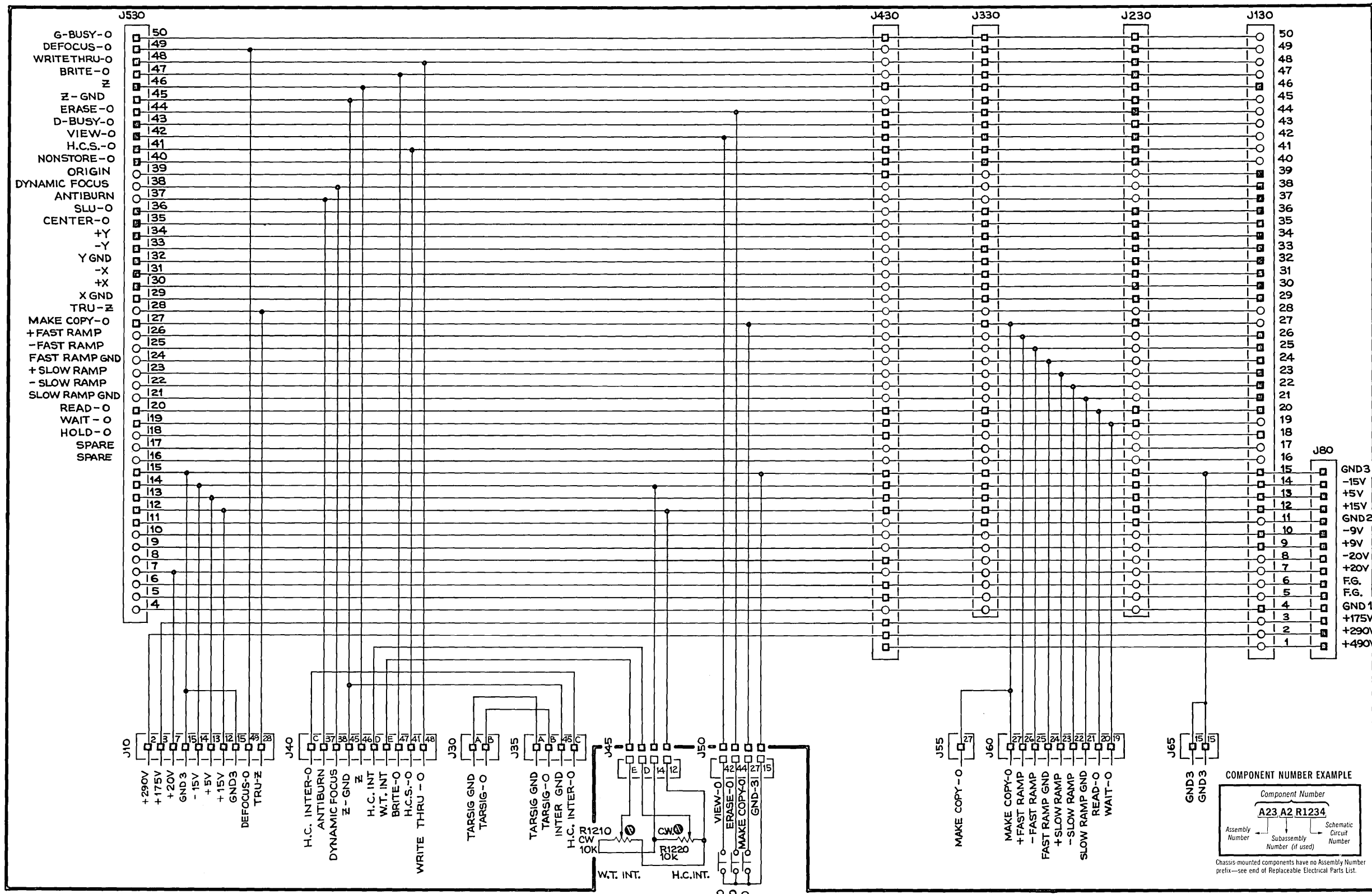
SEE PARTS LIST FOR EARLIER VALUES AND SERIAL NUMBER RANGES OF PARTS OUTLINED OR DEPICTED IN GREY.

4054

2839-22
REV A, FEB 1980

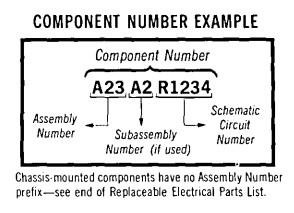
670-5666-00,01 I/O BOARD 5-5





- J80
- GND 15
 - 15V 14
 - +5V 13
 - +15V 12
 - GND 2 11
 - 9V 10
 - +8V 9
 - 20 8
 - +20 7
 - F.G. 6
 - F.G. 5
 - GND 1 4
 - +175V 3
 - +490V 1

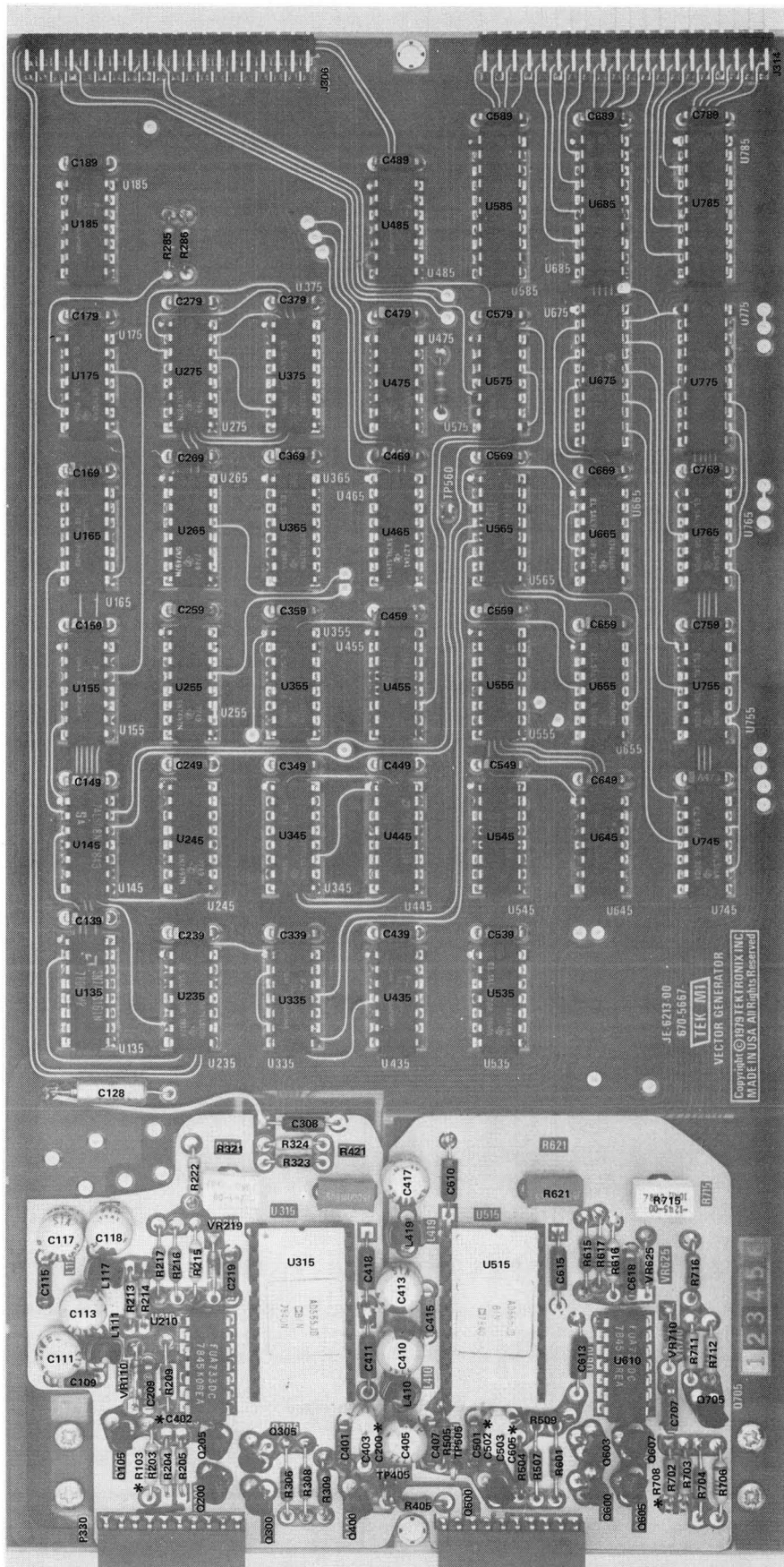
- J80
- GND3 15
 - 15V 14
 - +5V 13
 - +15V 12
 - GND2 11
 - 9V 10
 - +9V 9
 - 20V 8
 - +20V 7
 - F.G. 6
 - F.G. 5
 - GND1 4
 - +175V 3
 - +290V 2
 - +490V 1



4054

2839-23 ©

670-6099-00 INTERCONNECT BOARD 6-1



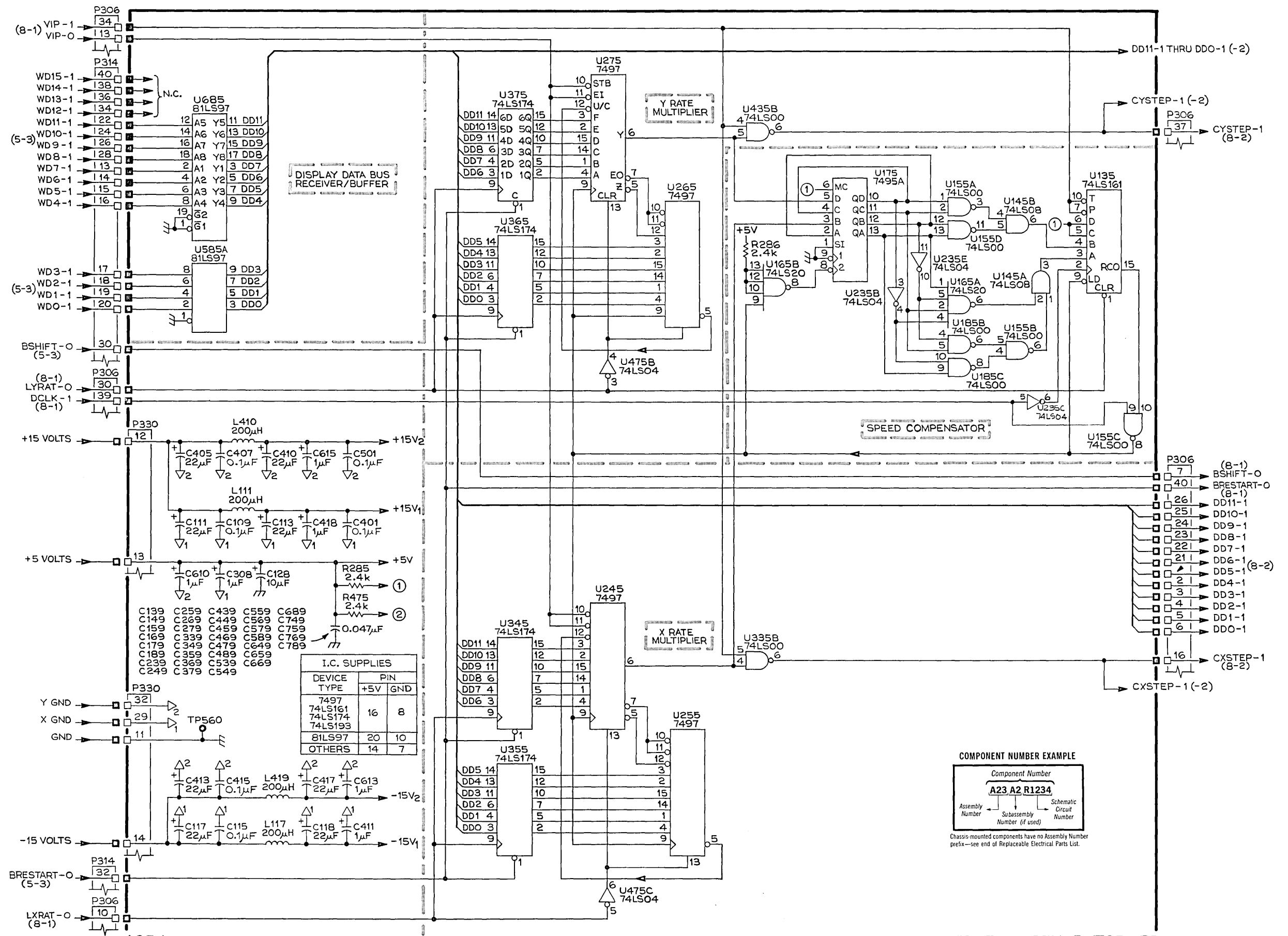
* B010196 AND UP

2839-11

Vector Generator Board Component Locations (670-5667-00, 01).

REV A, FEB 1980

4054 PARTS AND SCHEMATICS



(8-1) VIP-1 P306 34
 VIP-0 P306 13
 WD15-1 P314 40
 WD14-1 P314 138
 WD13-1 P314 136
 WD12-1 P314 134
 WD11-1 P314 122
 (5-3) WD10-1 P314 124
 WD9-1 P314 126
 WD8-1 P314 128
 WD7-1 P314 113
 WD6-1 P314 114
 WD5-1 P314 115
 WD4-1 P314 116
 WD3-1 P314 117
 WD2-1 P314 118
 WD1-1 P314 119
 WDO-1 P314 120
 BSHIFT-O (5-3) P330 30
 LYRAT-O (8-1) P306 30
 DCLK-1 (8-1) P306 139
 +15 VOLTS P330 12
 +5 VOLTS P330 13
 -15 VOLTS P330 14
 Y GND P330 32
 X GND P314 29
 GND P330 11
 BRESTART-O (5-3) P314 32
 LYRAT-O (8-1) P306 10

DD11-1 THRU DDO-1 (-2)
 CYPSTEP-1 (-2) P306 37
 CYPSTEP-1 (8-2)
 BSHIFT-O (8-1) P306 7
 BRESTART-O (8-1) P306 40
 DD11-1 P306 26
 DD10-1 P306 25
 DD9-1 P306 24
 DD8-1 P306 23
 DD7-1 P306 22
 DD6-1 (8-2) P306 21
 DD4-1 P306 2
 DD3-1 P306 3
 DD1-1 P306 5
 DDO-1 P306 6
 CXSTEP-1 (-2) P306 16
 CXSTEP-1 (8-2)

DISPLAY DATA BUS RECEIVER/BUFFER

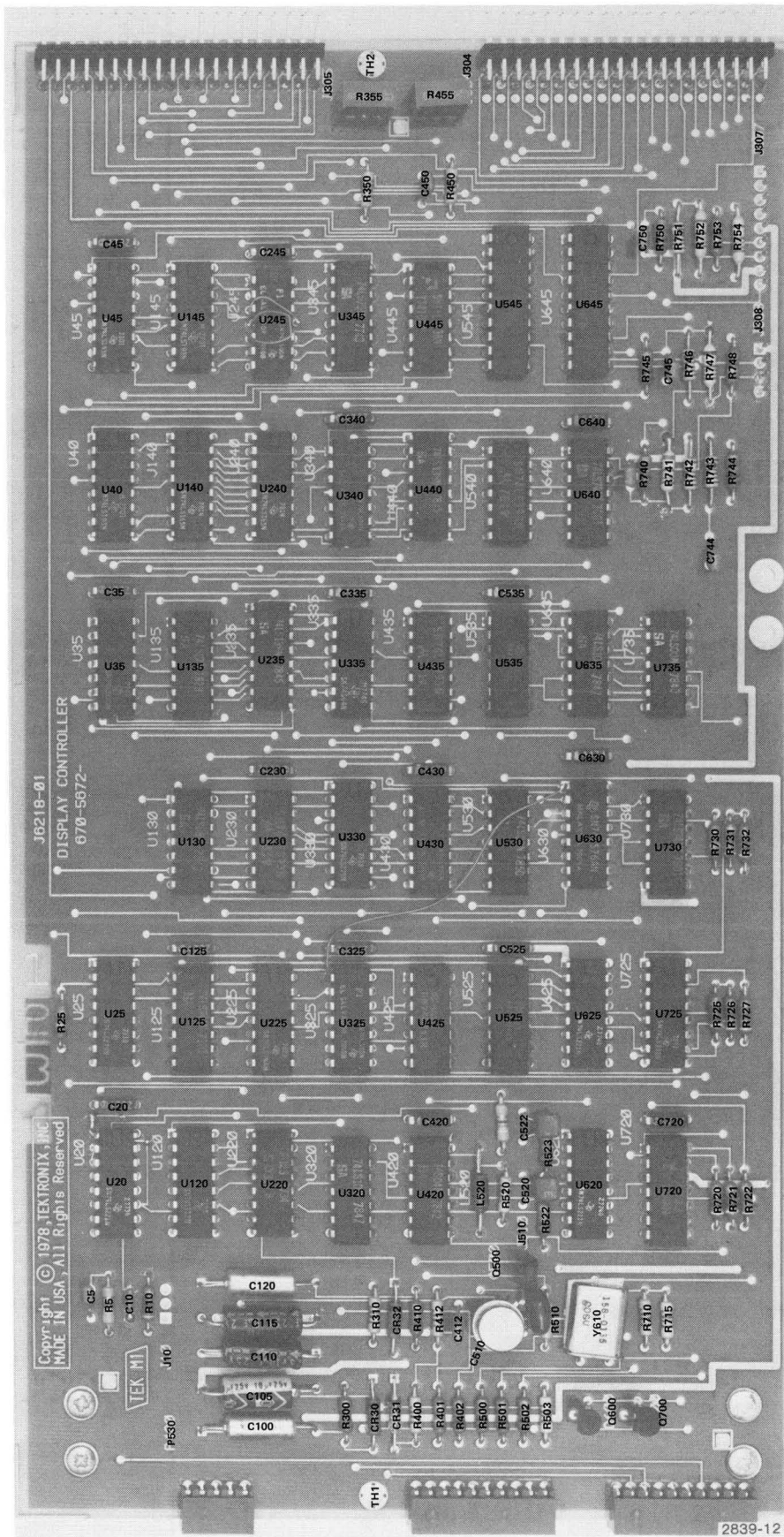
Y RATE MULTIPLIER

SPEED COMPENSATOR

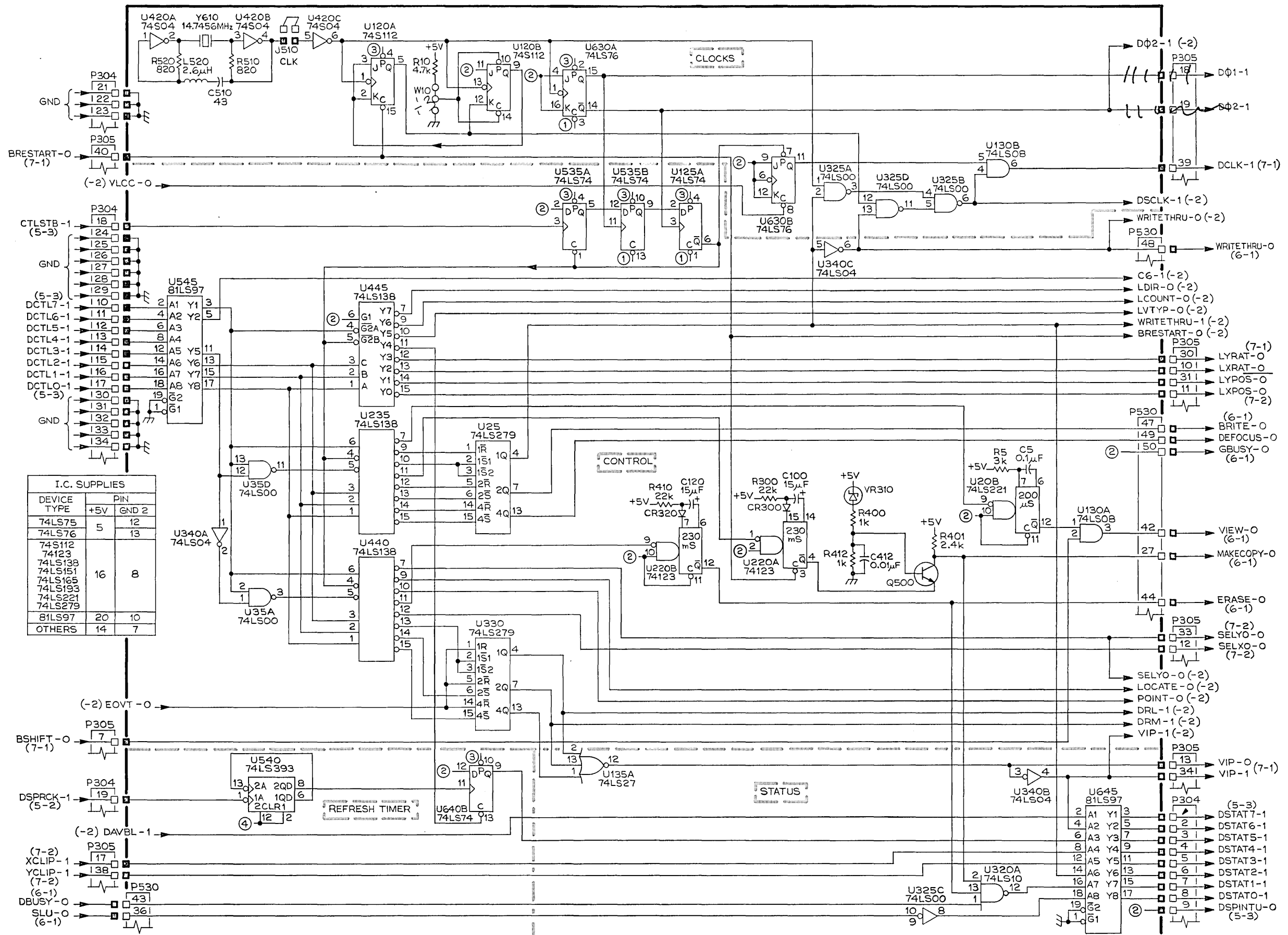
X RATE MULTIPLIER

I.C. SUPPLIES		
DEVICE TYPE	+5V	GND
74LS161	16	8
74LS174		
74LS193		
81LS97	20	10
OTHERS	14	7

COMPONENT NUMBER EXAMPLE
 Component Number
A23 A2 R1234
 Assembly Number ← Subassembly Number (if used) ← Schematic Circuit Number
 Chassis-mounted components have no Assembly Number prefix—see end of Replaceable Electrical Parts List.



Display Controller Board Component Locations (670-5672-00).

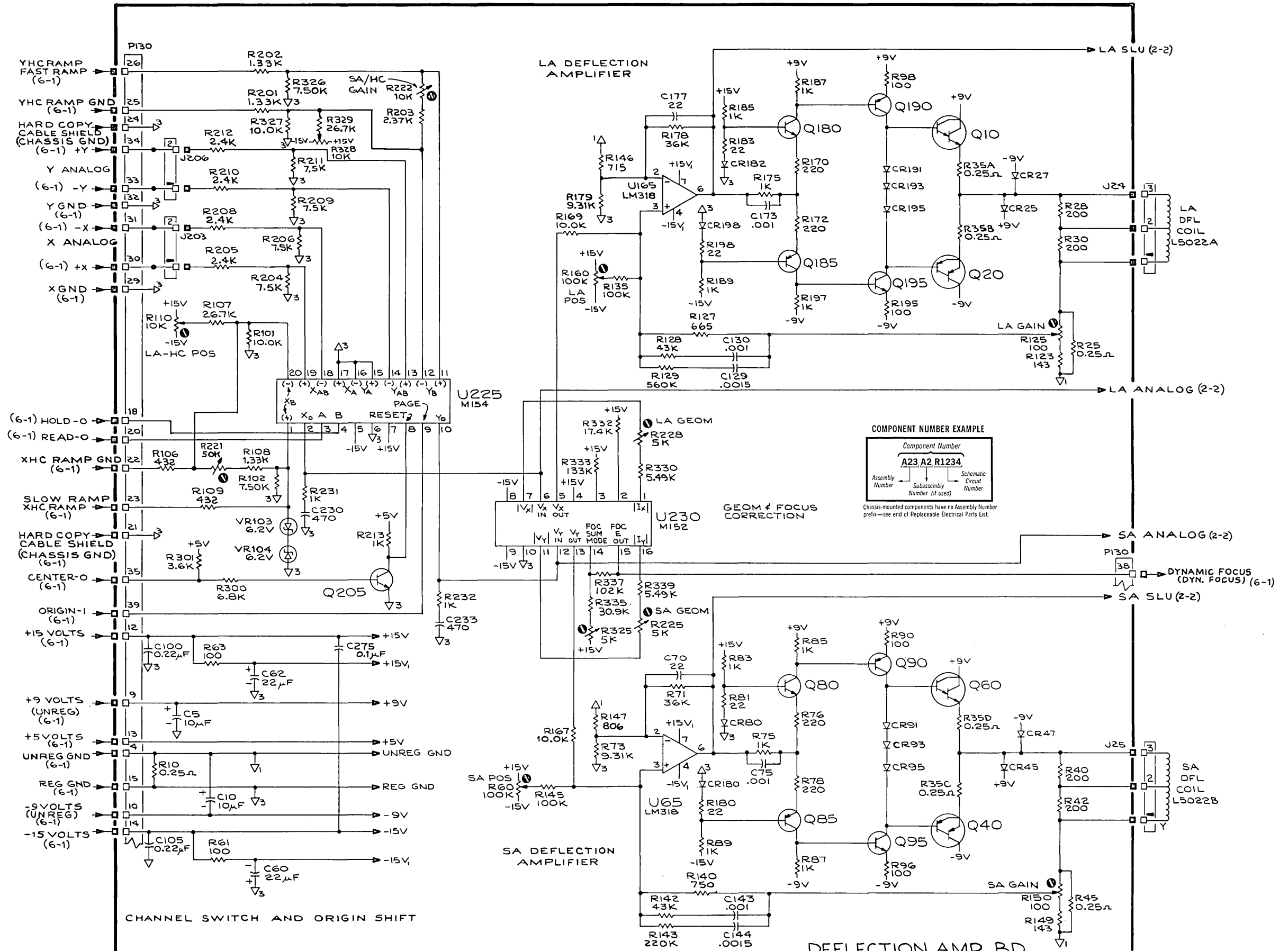


4054

2839-26

670-5672-00 DISPLAY CONTROLLER BD.

8-1

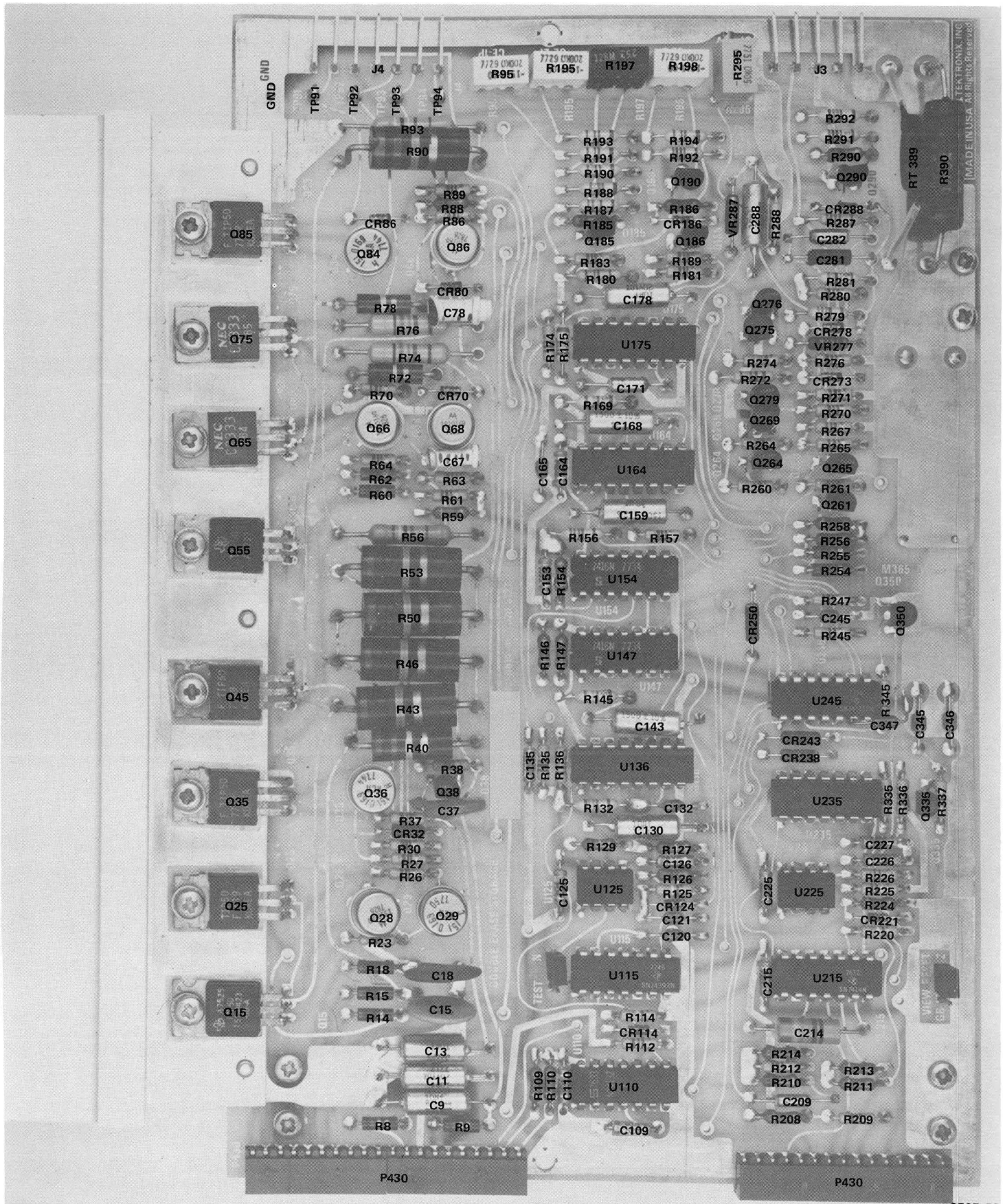


4054

2839-28
REVA, FEB 1980

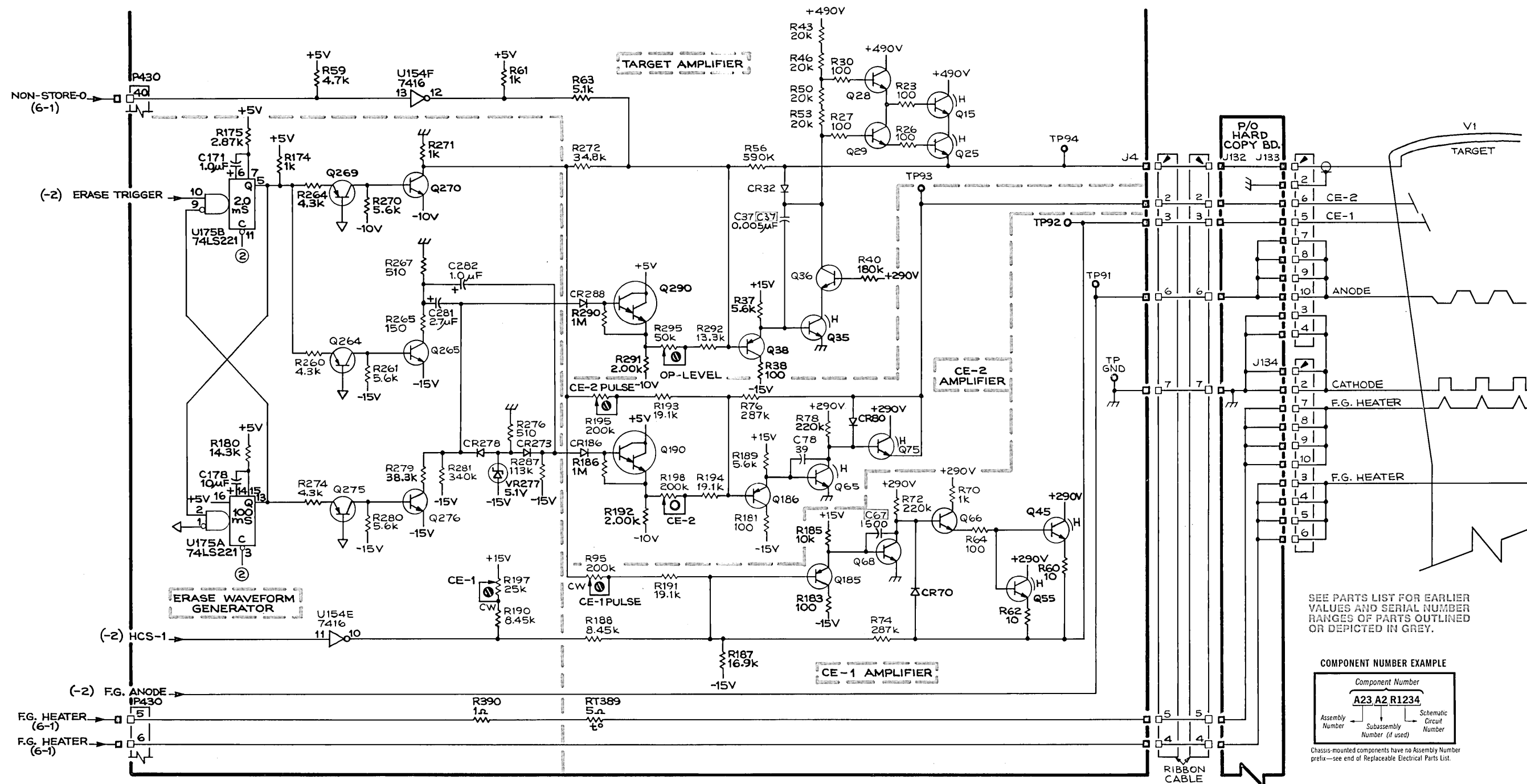
670-5966-01,02 CHANNEL SWITCH & DEFLECTION AMPLIFIERS
672-0783-01,02

9-1



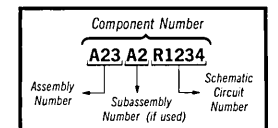
TEKTRONIX, INC.
MADE IN USA All Rights Reserved

Storage Board Component Locations (670-6127-00, 02, 670-0795-00, 02).

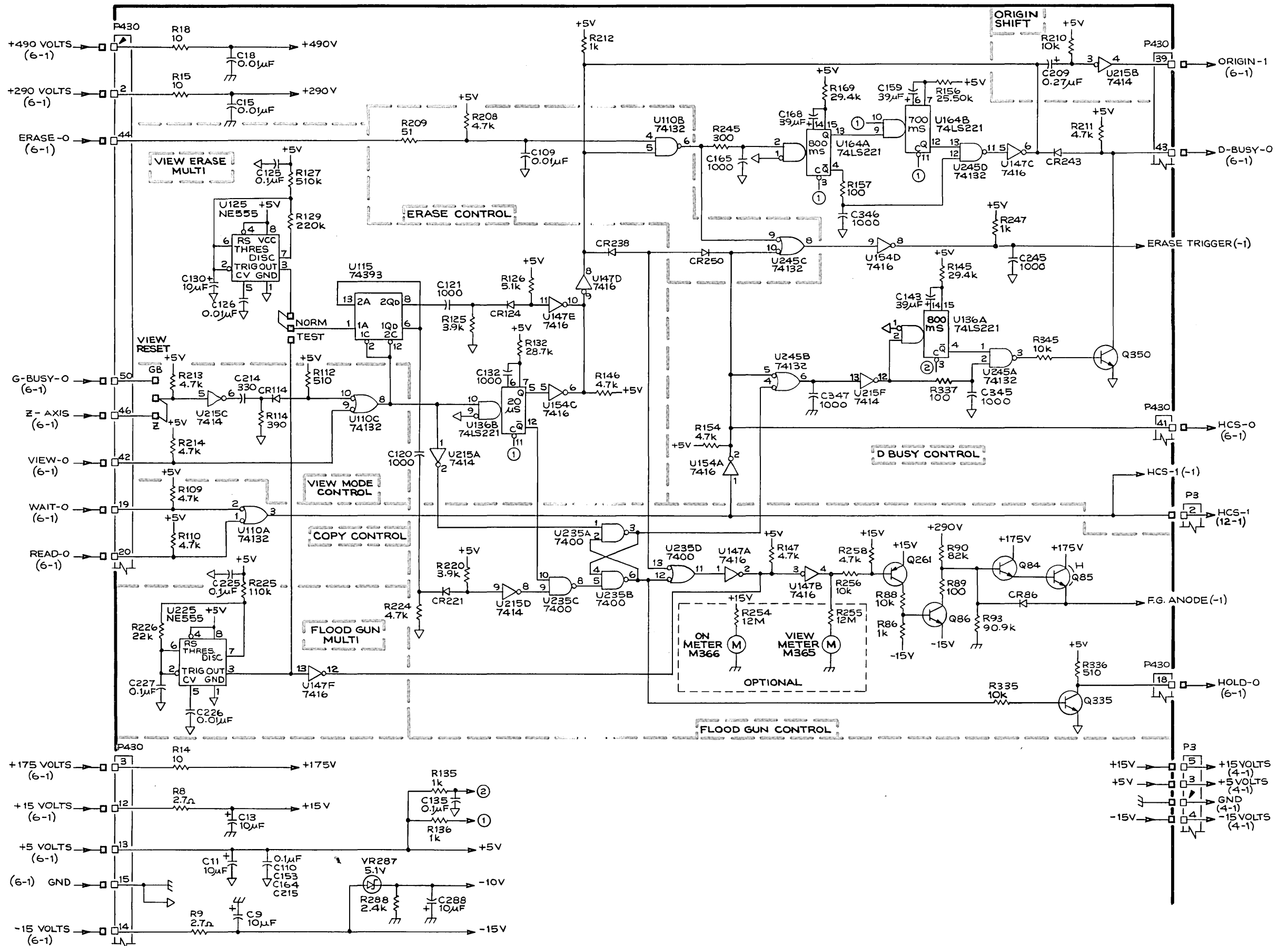


SEE PARTS LIST FOR EARLIER VALUES AND SERIAL NUMBER RANGES OF PARTS OUTLINED OR DEPICTED IN GREY.

COMPONENT NUMBER EXAMPLE



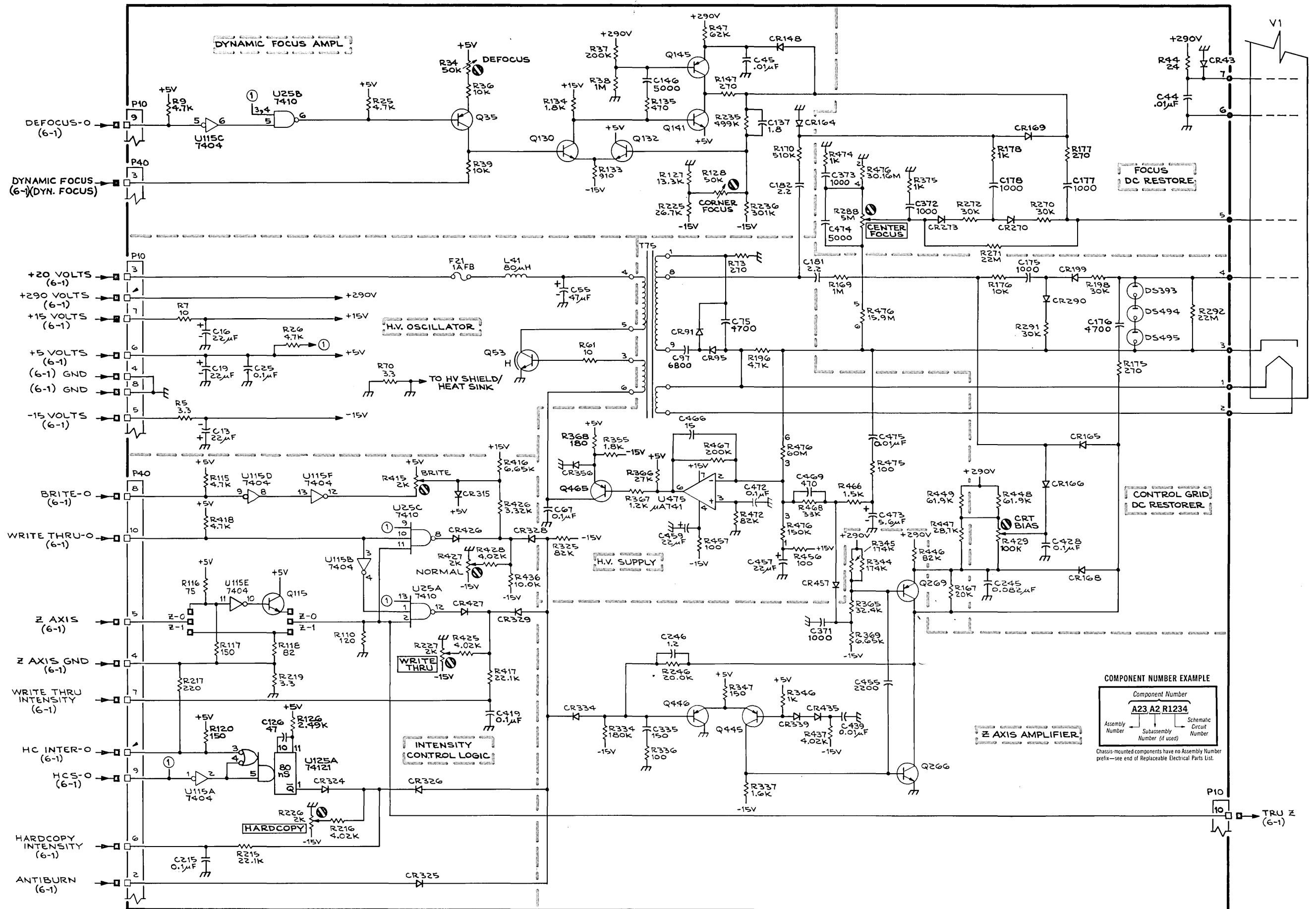
Chassis-mounted components have no Assembly Number prefix—see end of Replaceable Electrical Parts List.



4054

2839-31 REVA, FEB 1980 670-6127-00,02 , 672-0795-00,02

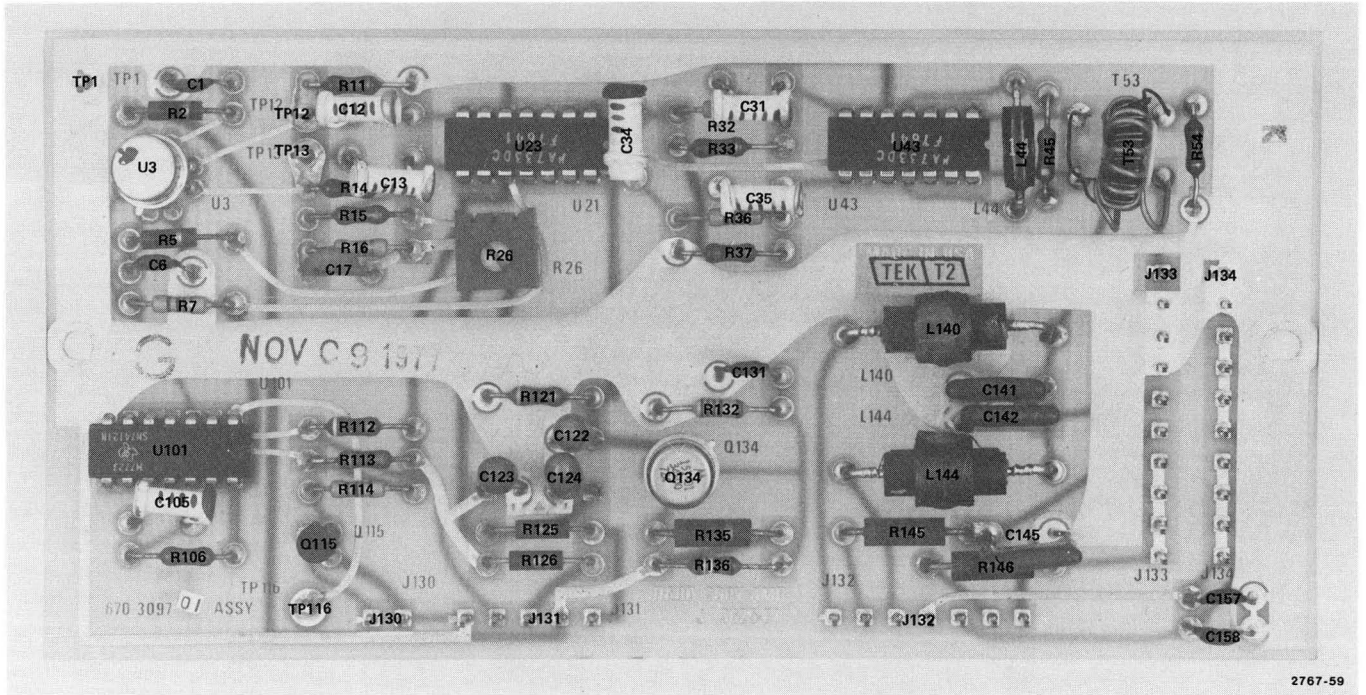
STORAGE BOARD 10-2



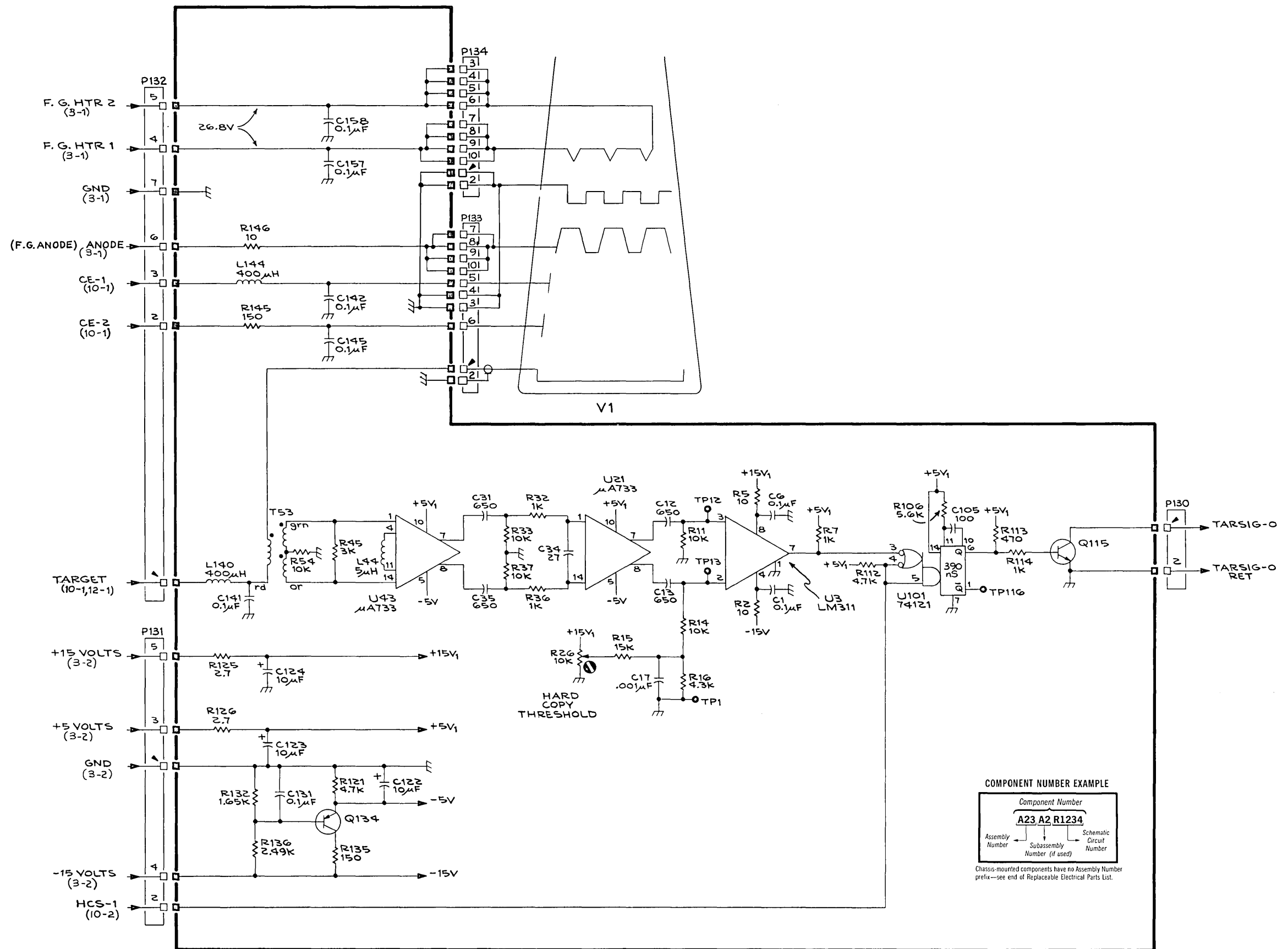
COMPONENT NUMBER EXAMPLE

Component Number			
A23	A2	R1234	
Assembly Number	Subassembly Number (if used)	Schematic Circuit Number	

Chassis-mounted components have no Assembly Number prefix—see end of Replaceable Electrical Parts List.



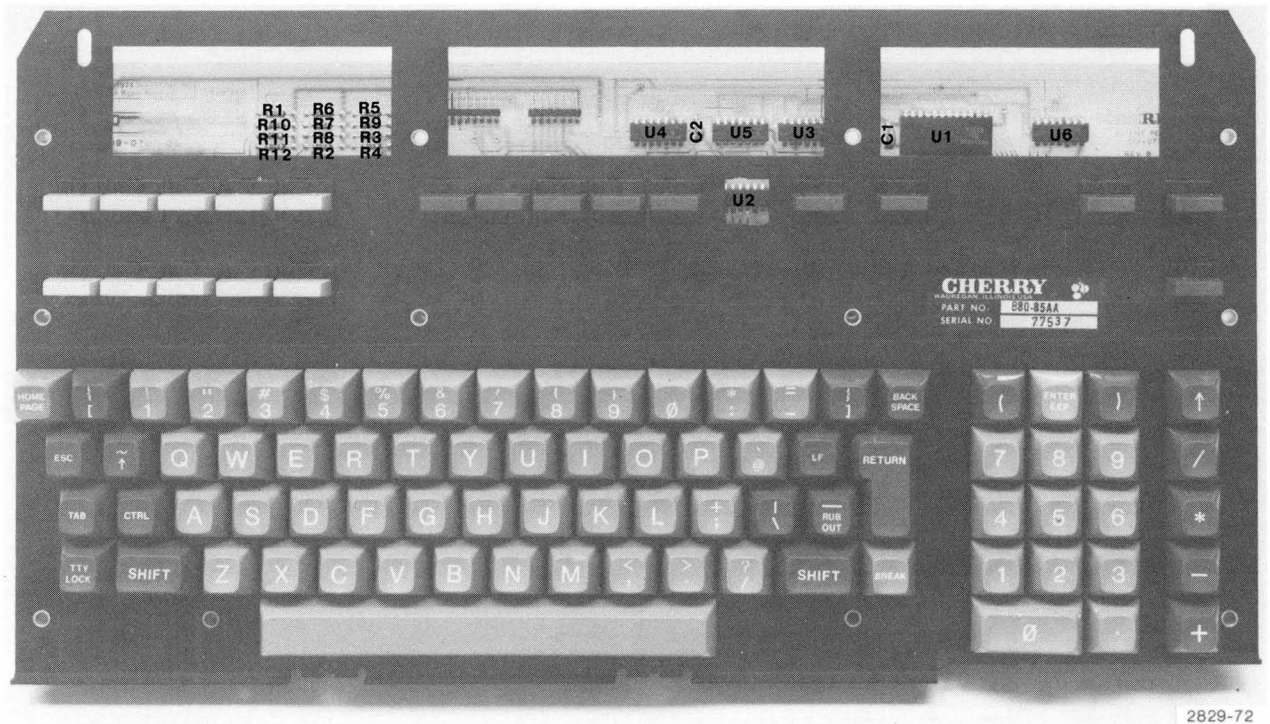
Hard Copy Amplifier Component Locations (670-3097-01).



4054

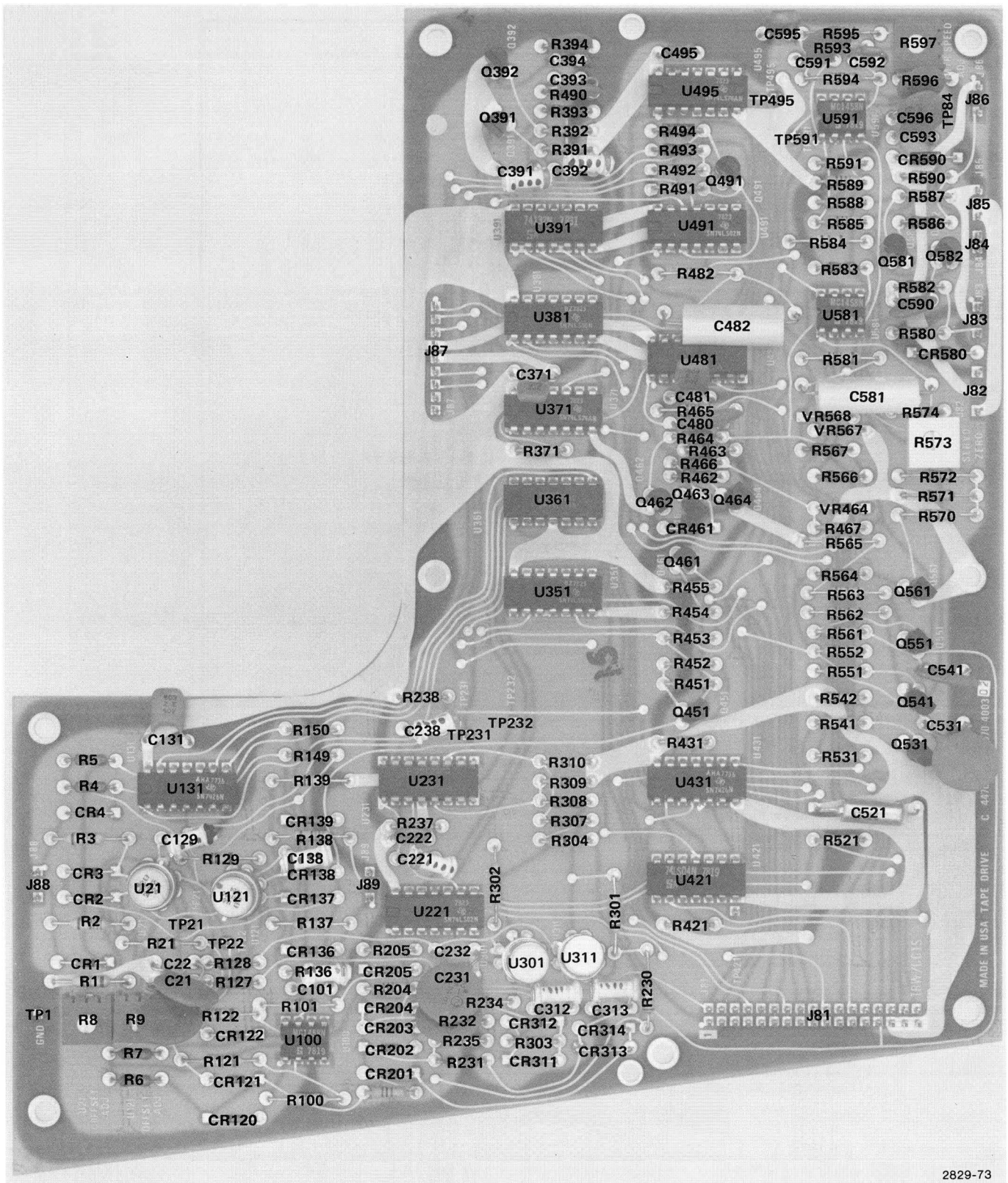
2839-33
@

670-3097-01 HARD COPY INTERCONNECT BOARD 12-1



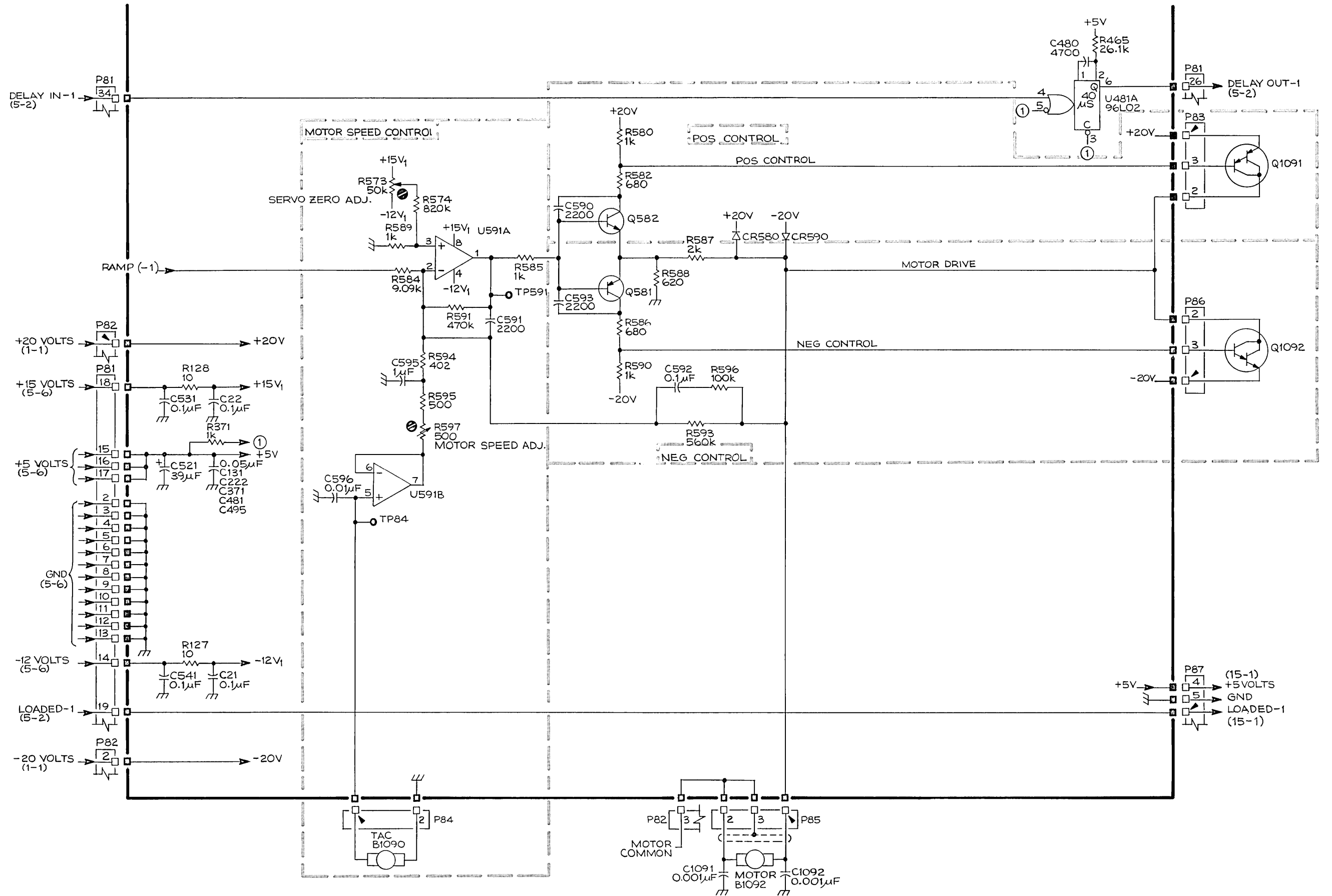
2829-72

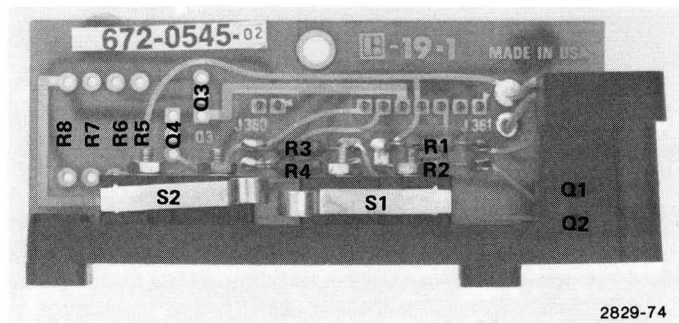
Keyboard Component Locations (119-1050-00).



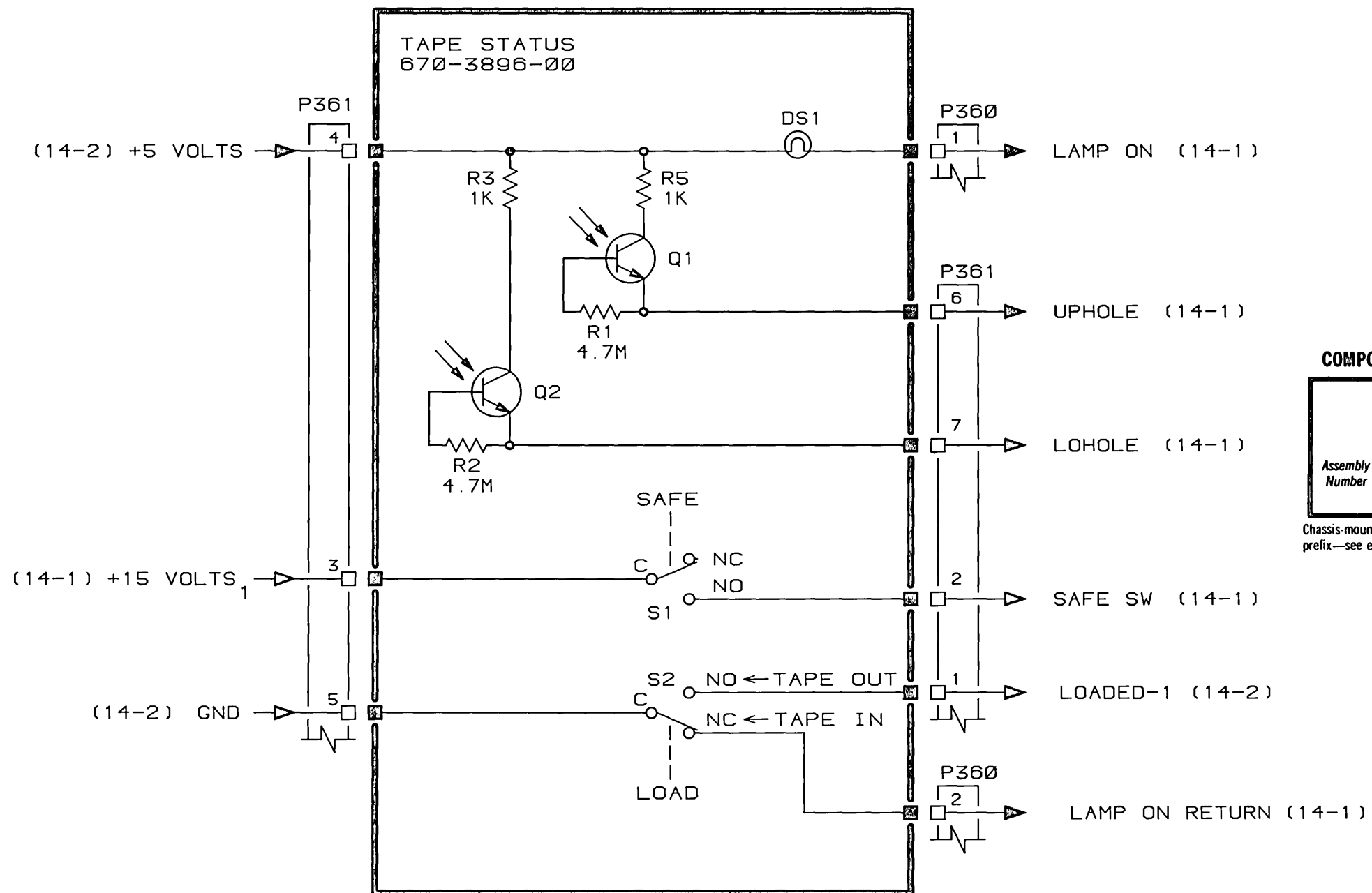
2829-73

Tape Drive Board Component Locations (670-4003-02).

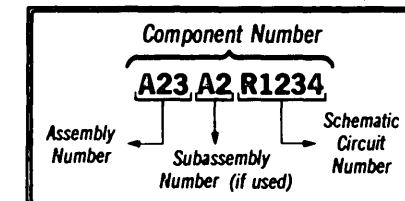




Tape Status Board Component Locations (670-3896-00).



COMPONENT NUMBER EXAMPLE



Chassis-mounted components have no Assembly Number prefix—see end of Replaceable Electrical Parts List.

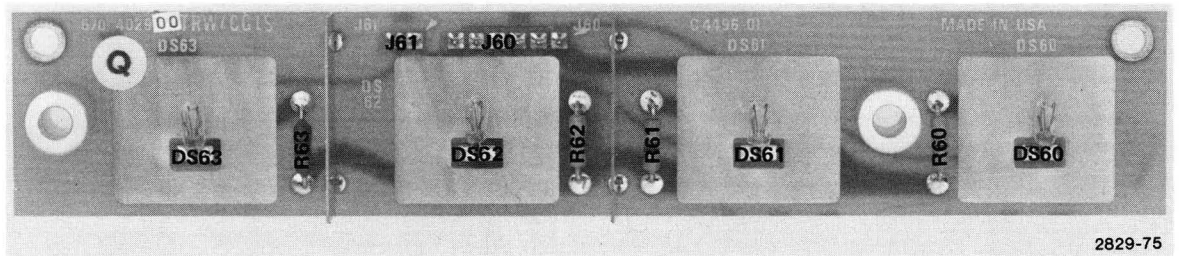
4054

2839-37

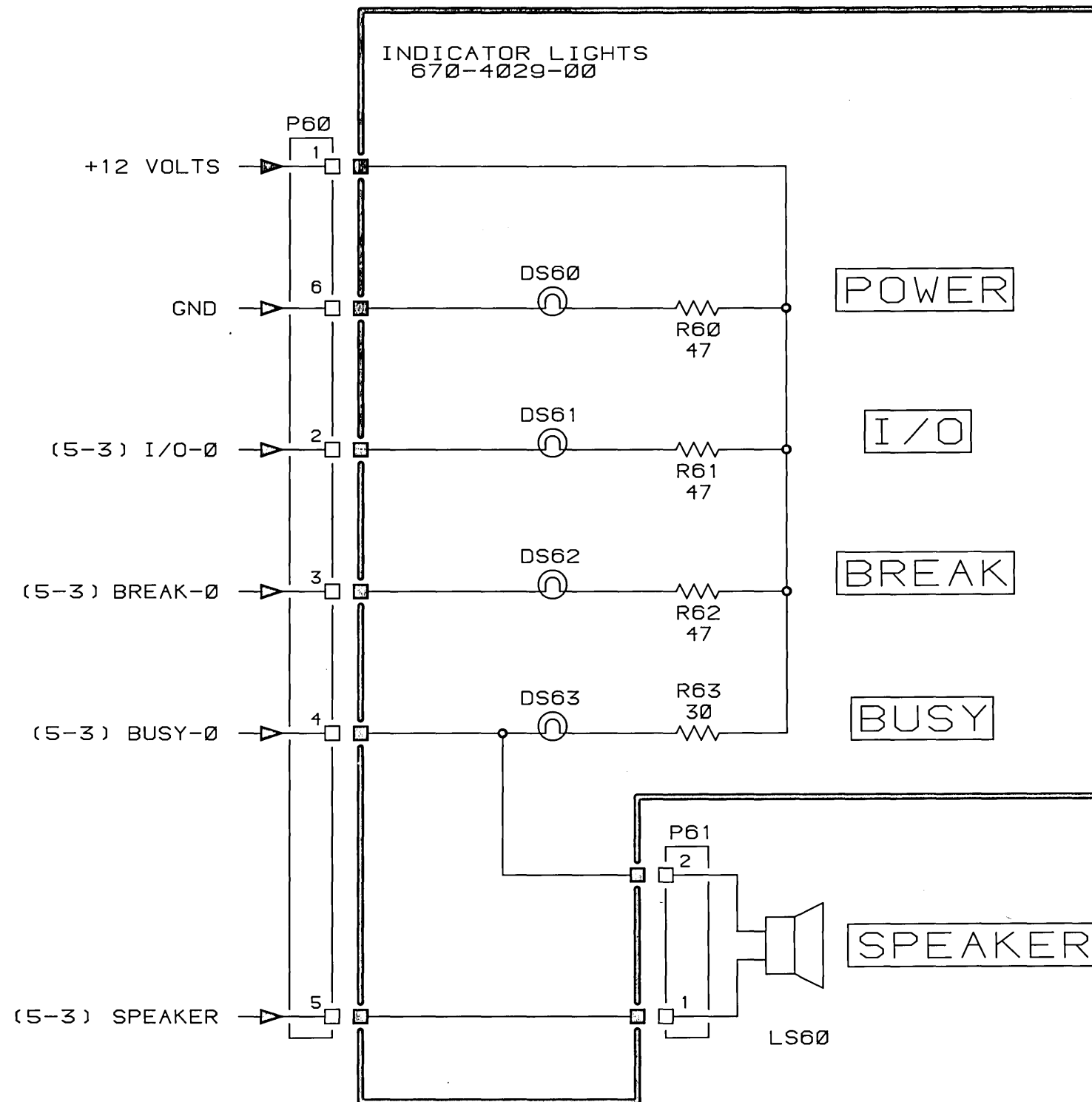
670-3896-00
672-0545-02

TAPE STATUS 15-1

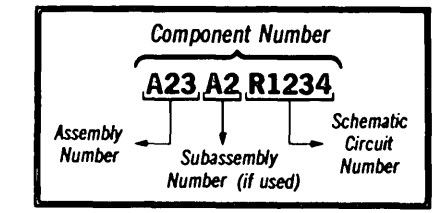
@



Indicator Lights Component Locations (670-4029-00).



COMPONENT NUMBER EXAMPLE

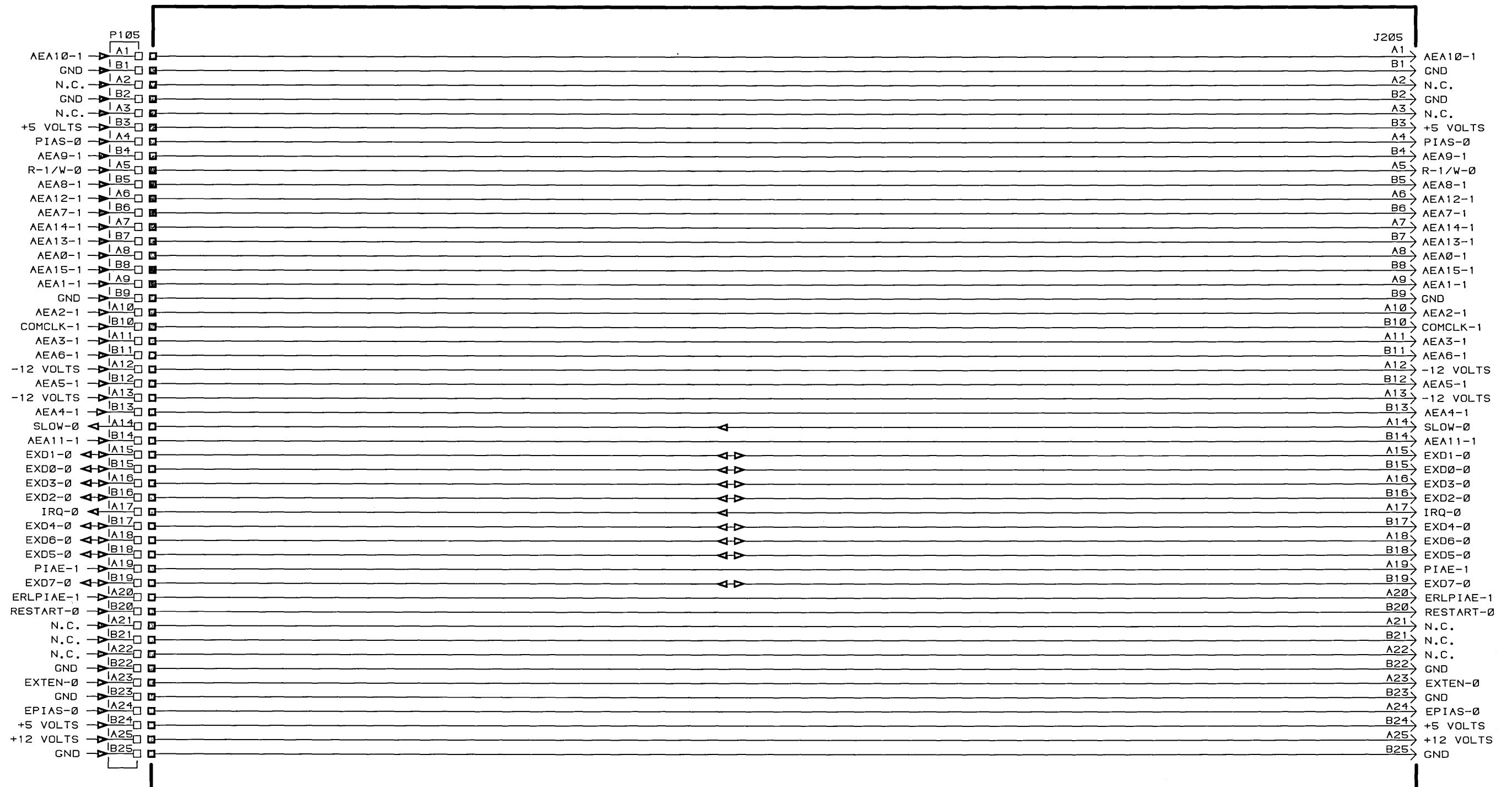


Chassis-mounted components have no Assembly Number prefix—see end of Replaceable Electrical Parts List.

4054

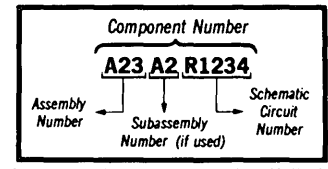
670-4029-00 INDICATOR LIGHTS 16-1
2839-38

@



4054

COMPONENT NUMBER EXAMPLE

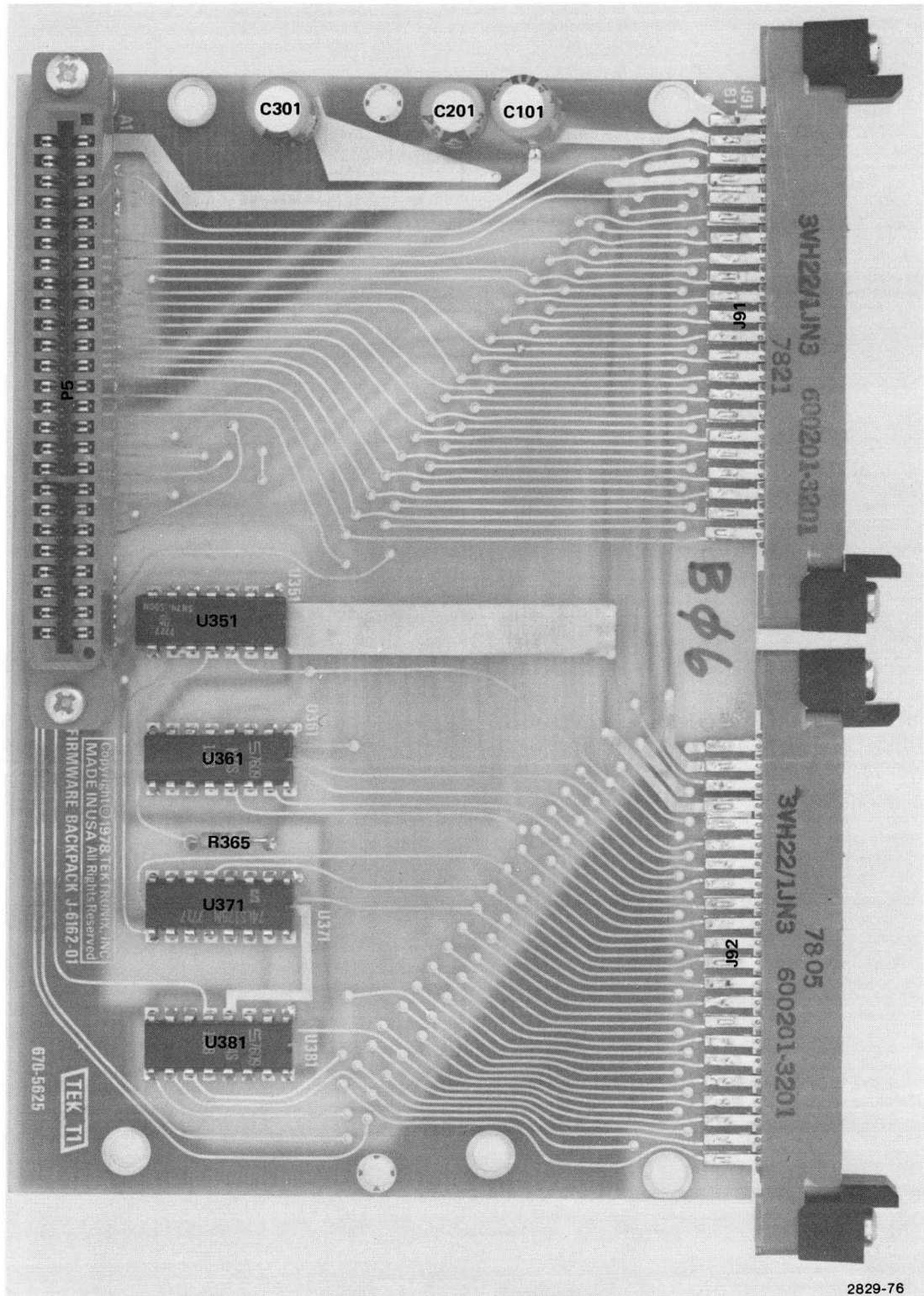


Chassis-mounted components have no Assembly Number prefix—see end of Replaceable Electrical Parts List.

2839-39

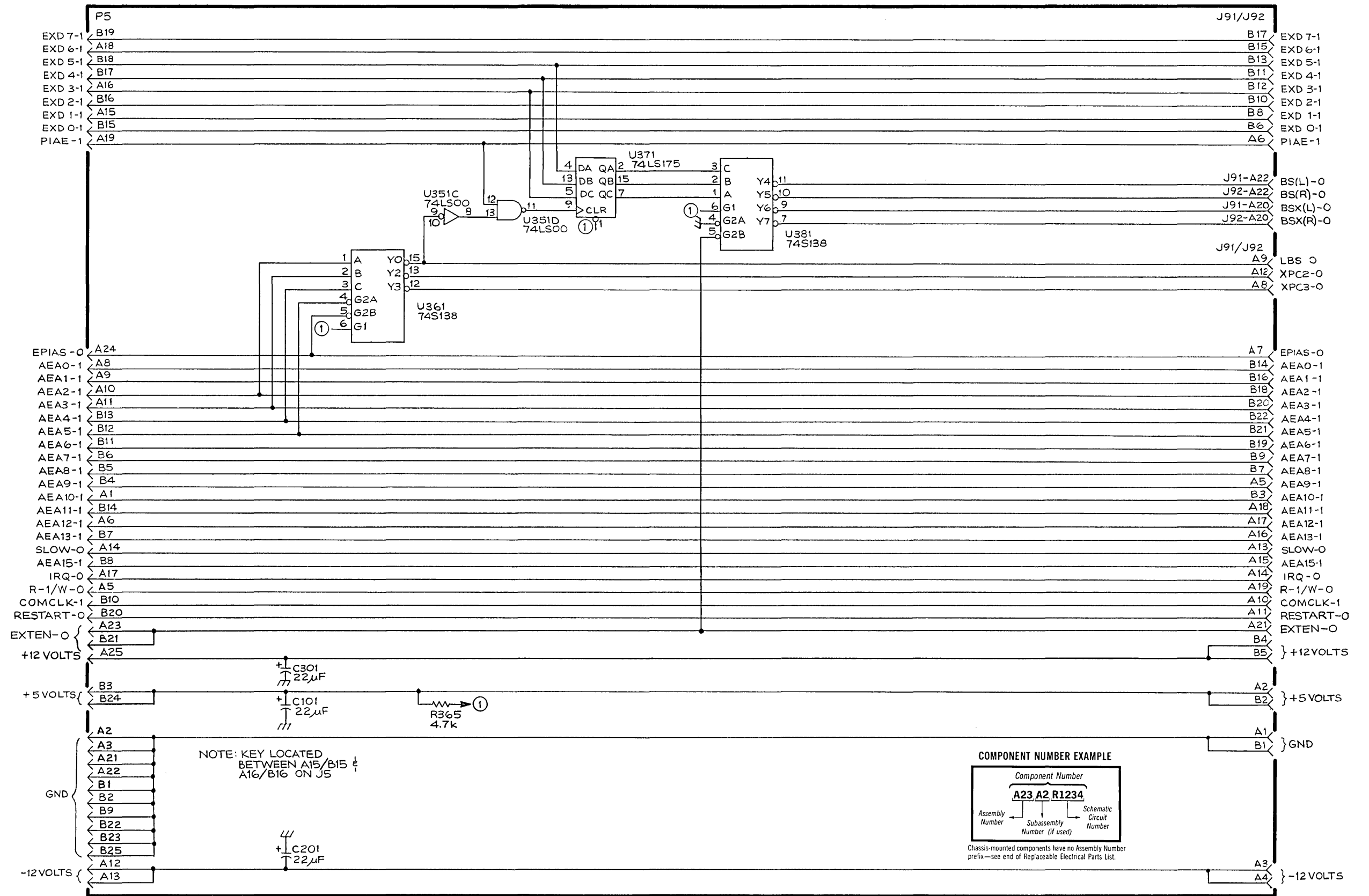
ⓐ

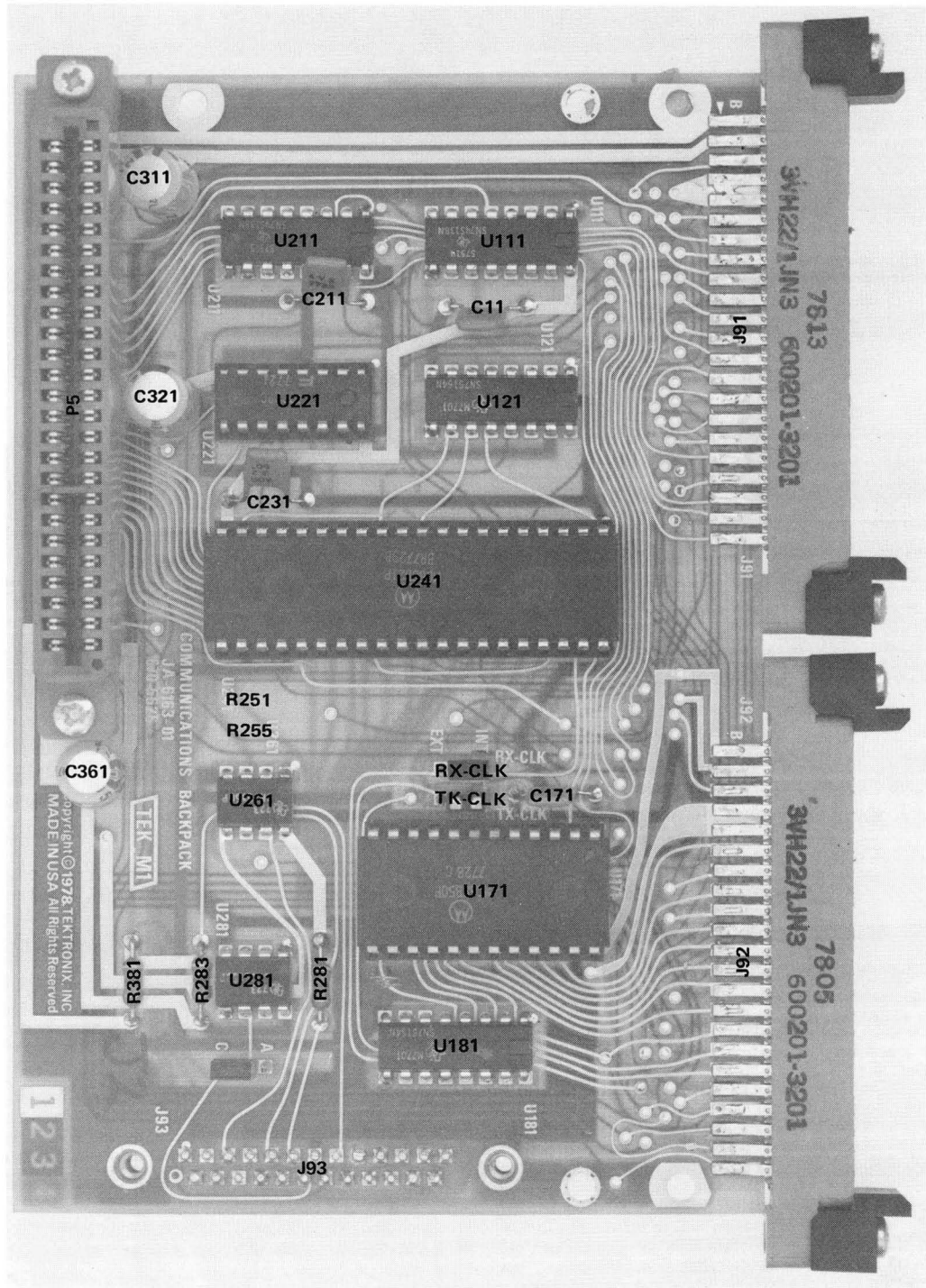
670-6070-00 BACKPACK INTERCONNECT BD 17-1



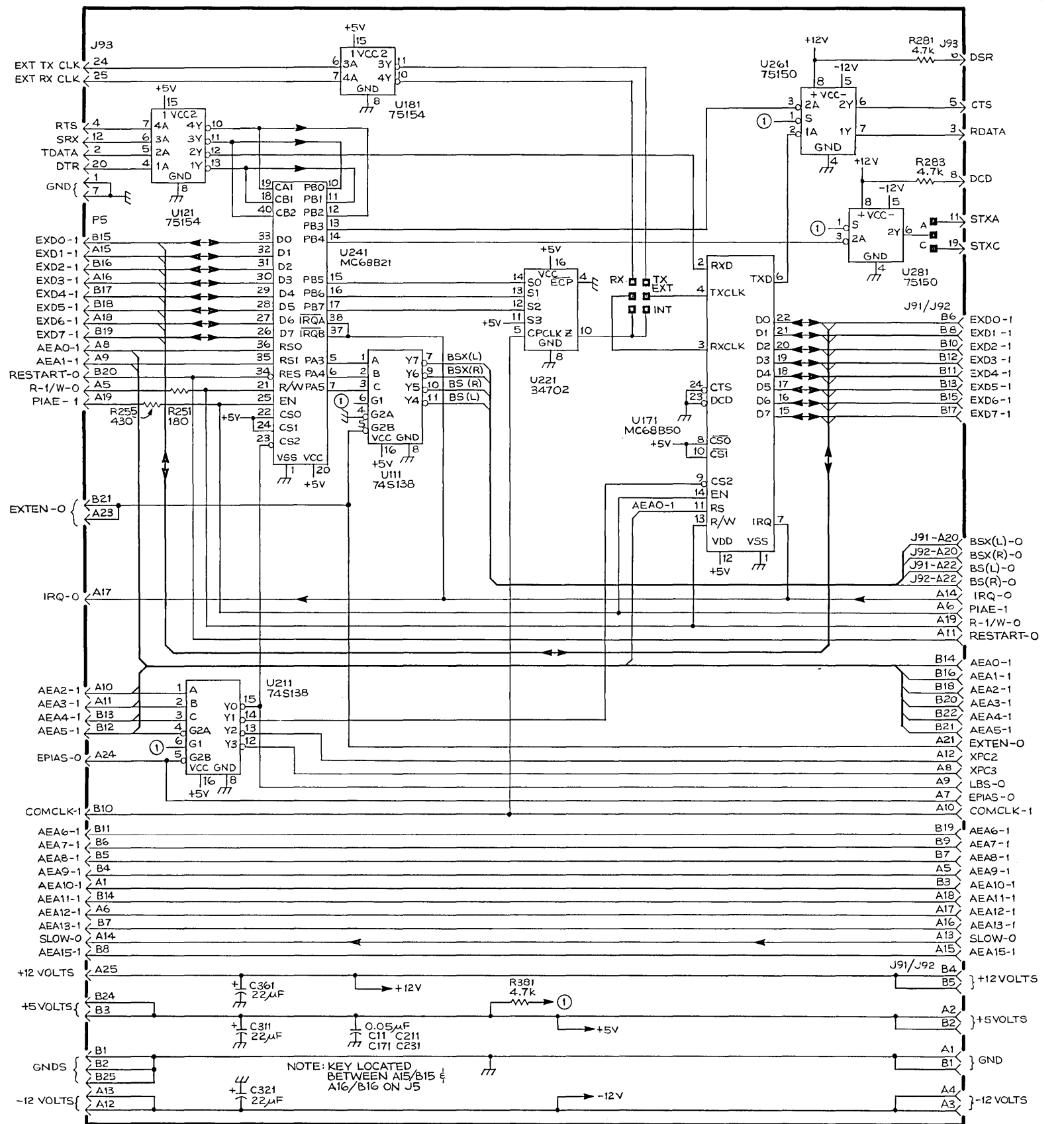
2829-76

Firmware Backpack Component Locations (670-5625-00).



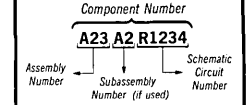


Opt. 1 Comm. Backpack Component Locations (670-5626-00).



4052/4054
OPT. 1

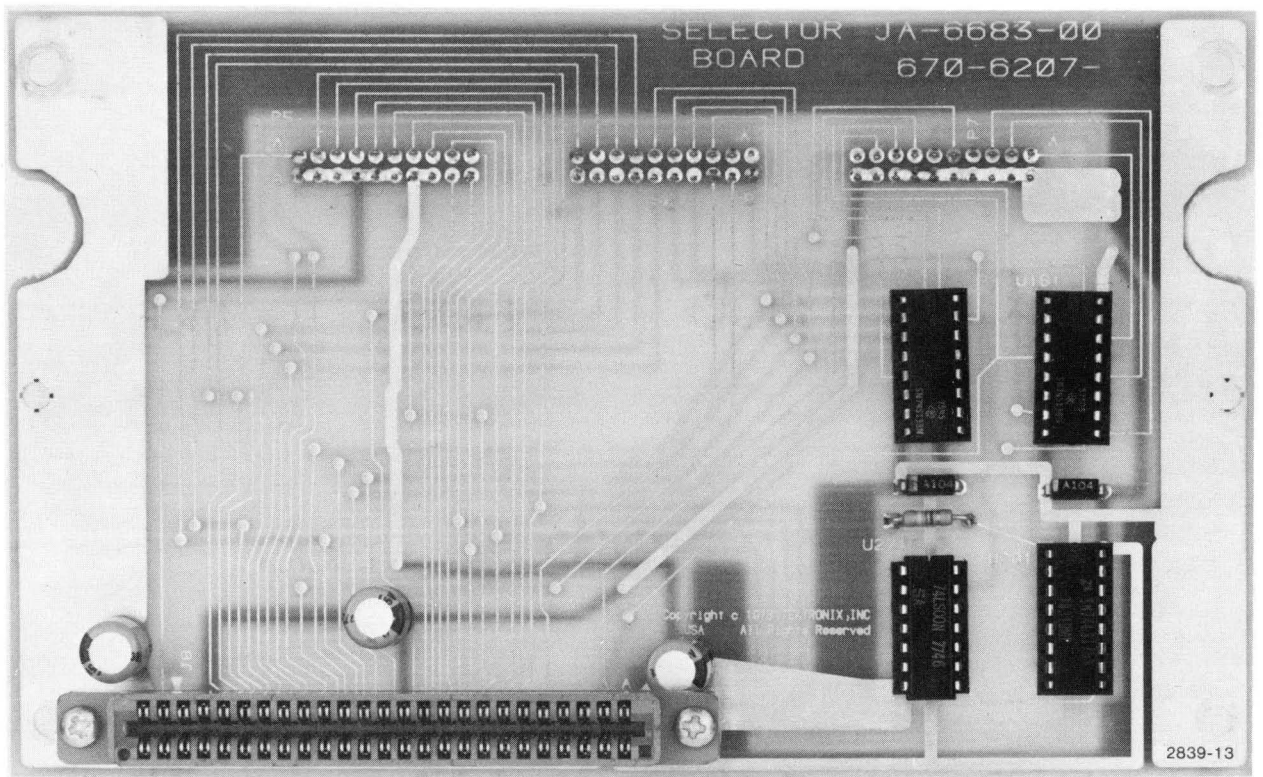
COMPONENT NUMBER EXAMPLE



Chassis-mounted components have no Assembly Number prefix—see end of Replaceable Electrical Parts List.

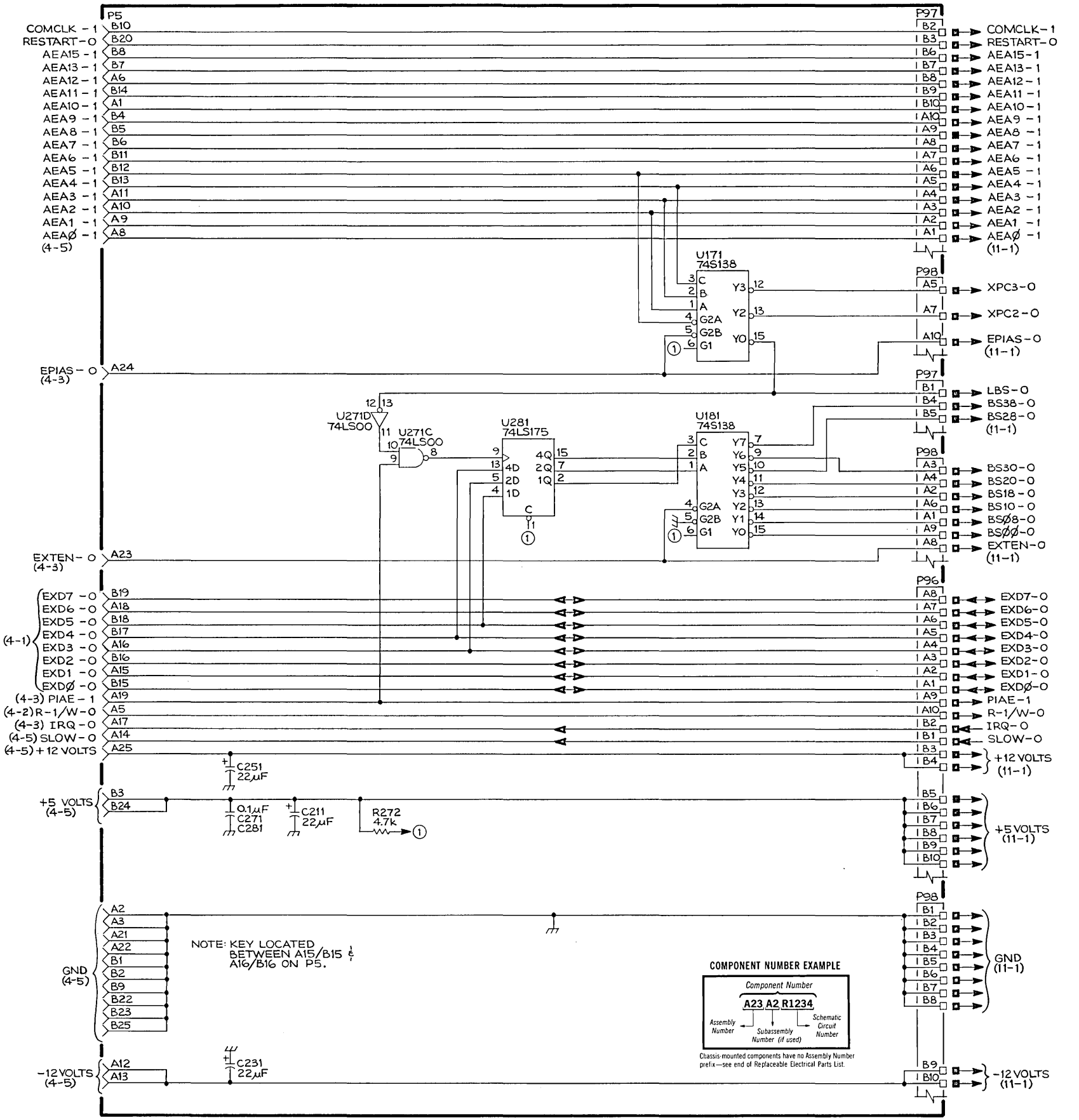
2839-41
670-5626-00

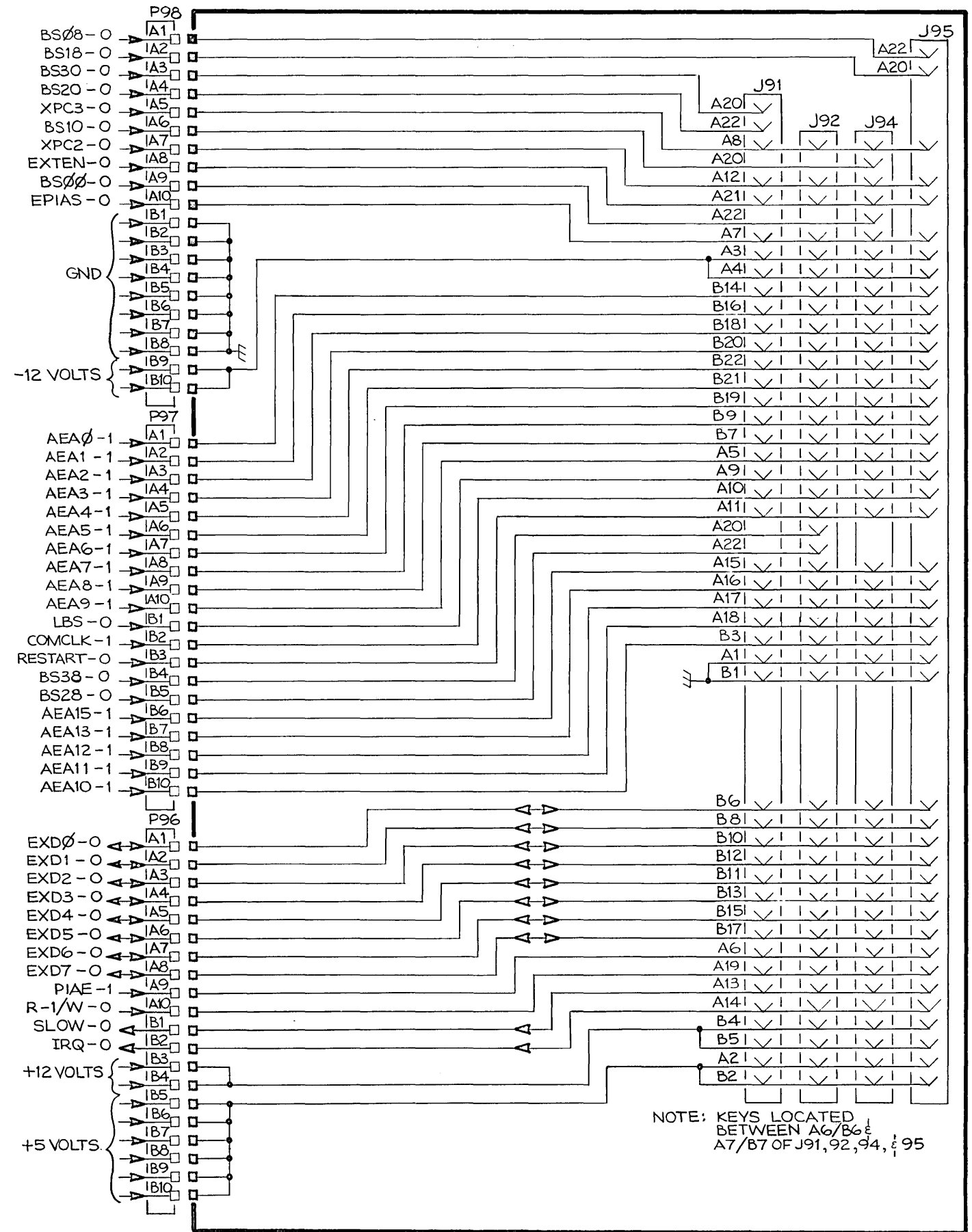
COMMUNICATION BACKPACK 19-1



Opt. 2 Selector Board Component Locations (670-6207-00).

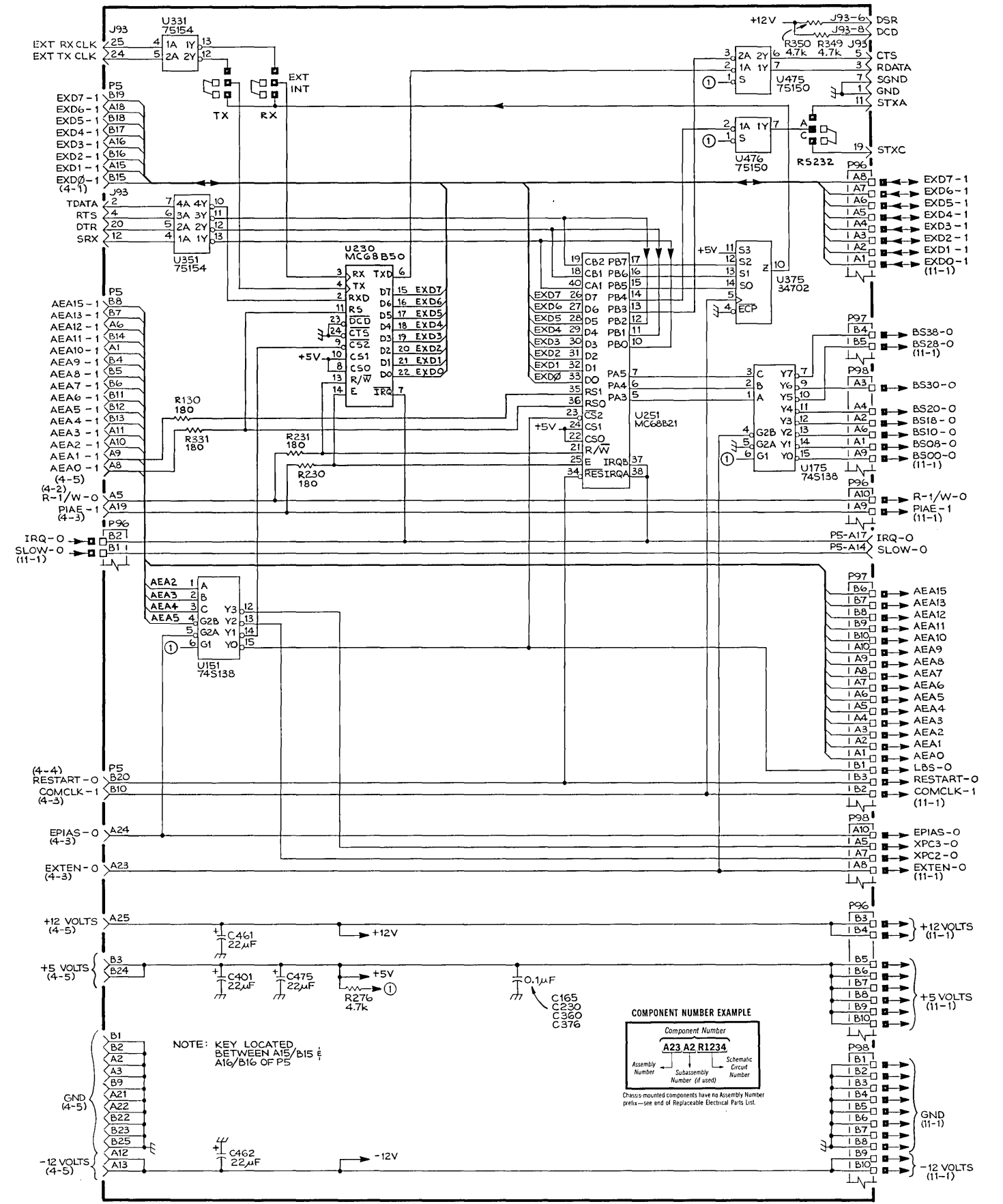
2839-13





4052/4054
OPT.2

670-6206-00 CONNECTOR BD 20-2
2839-43 @

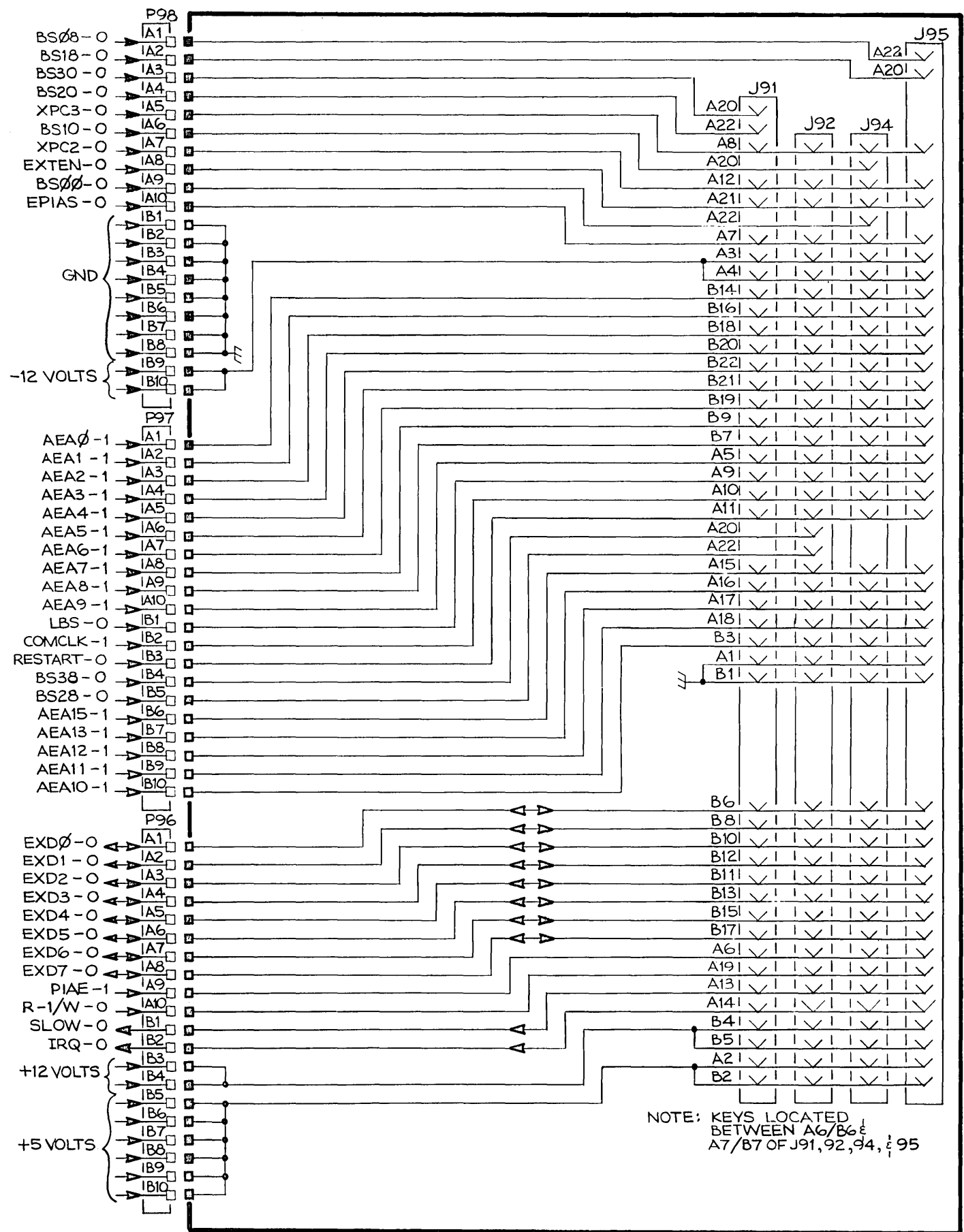


NOTE: KEY LOCATED BETWEEN A15/B15 & A16/B16 OF P5

COMPONENT NUMBER EXAMPLE

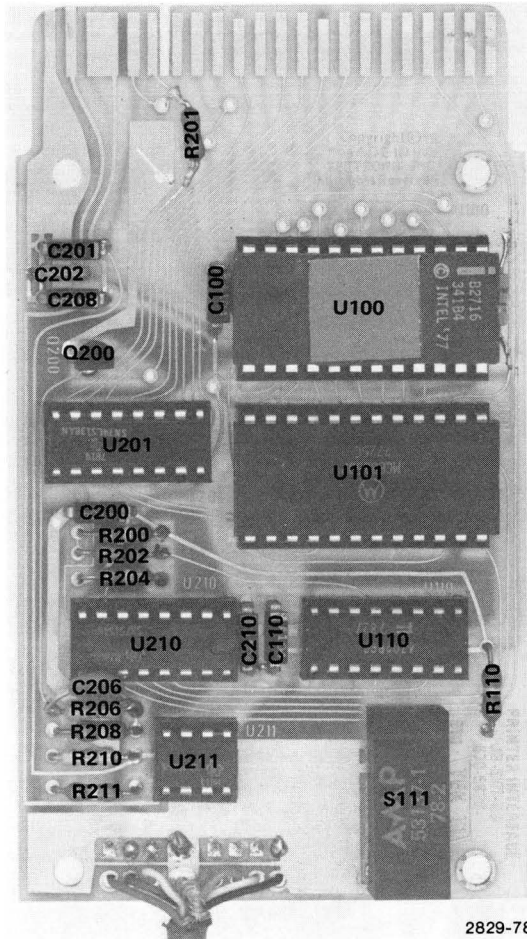
Component Number		
A23	A2	R1234
Assembly Number	Subassembly Number (if used)	Schematic Circuit Number

Chassis mounted components have no Assembly Number prefix—see end of Replaceable Electrical Parts List.



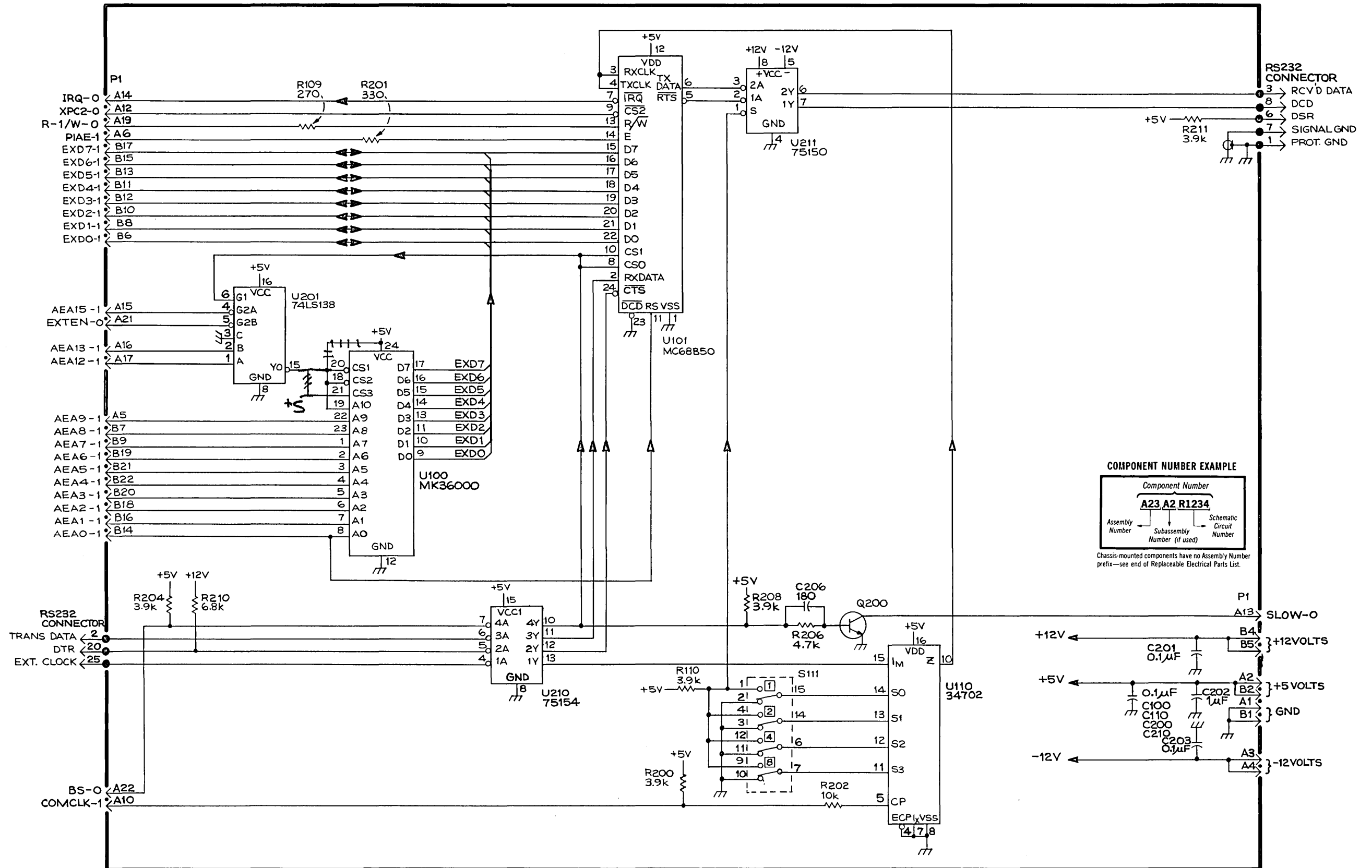
4052/4054
OPT. 3

670-6206-00 CONNECTOR BD 21-2
2839-45 @

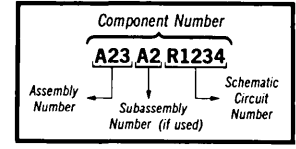


2829-78

Opt. 10 Printer Interface Component Locations (670-5636-00).



COMPONENT NUMBER EXAMPLE



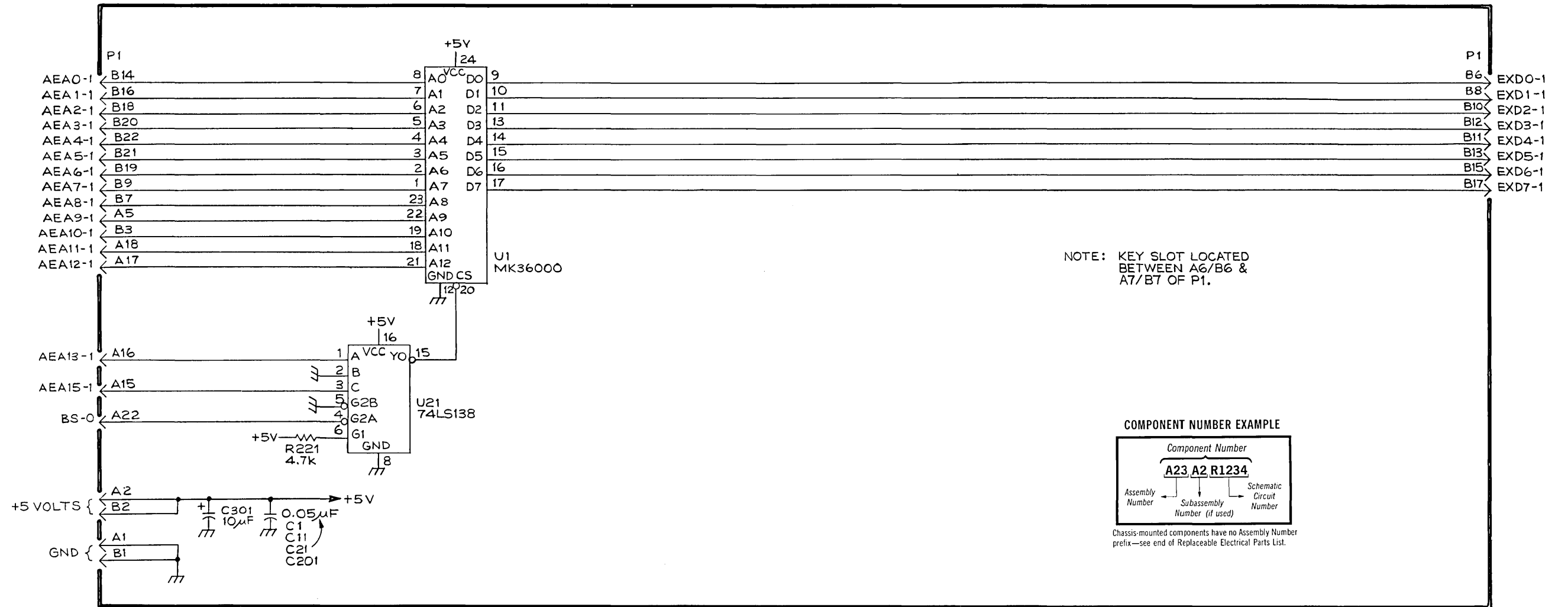
Chassis-mounted components have no Assembly Number prefix—see end of Replaceable Electrical Parts List.

4052/4054
OPT. 10

2839-6
©

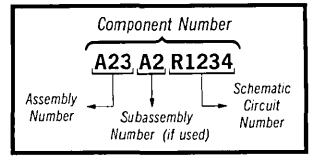
670-5636-00 **PRINTER INTERFACE**

22-1



NOTE: KEY SLOT LOCATED BETWEEN A6/B6 & A7/B7 OF P1.

COMPONENT NUMBER EXAMPLE



Chassis-mounted components have no Assembly Number prefix—see end of Replaceable Electrical Parts List.

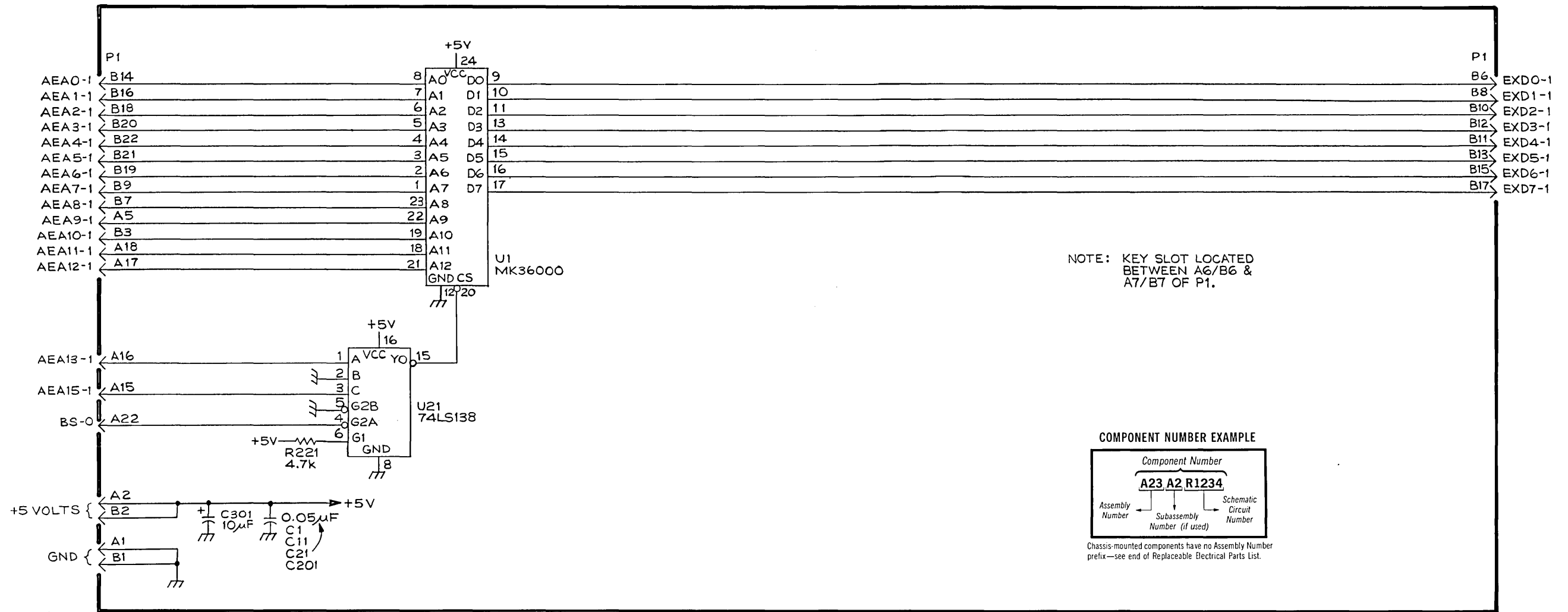
4052/4054 R06

2839-47
@

670-5624-00

EDITOR ROMPACK

23-1



4052/4054 R07

2839-48
@

670-6250-00

SIGNAL PROCESSING
ROM NO.1

24-1

Section 7 REPLACEABLE MECHANICAL PARTS

PARTS ORDERING INFORMATION

Replacement parts are available from or through your local Tektronix, Inc. Field Office or representative.

Changes to Tektronix instruments are sometimes made to accommodate improved components as they become available, and to give you the benefit of the latest circuit improvements developed in our engineering department. It is therefore important, when ordering parts, to include the following information in your order: Part number, instrument type or number, serial number, and modification number if applicable.

If a part you have ordered has been replaced with a new or improved part, your local Tektronix, Inc. Field Office or representative will contact you concerning any change in part number.

Change information, if any, is located at the rear of this manual.

SPECIAL NOTES AND SYMBOLS

X000 Part first added at this serial number
00X Part removed after this serial number

FIGURE AND INDEX NUMBERS

Items in this section are referenced by figure and index numbers to the illustrations.

INDENTATION SYSTEM

This mechanical parts list is indented to indicate item relationships. Following is an example of the indentation system used in the description column.

```

1 2 3 4 5           Name & Description
Assembly and/or Component
Attaching parts for Assembly and/or Component
    --- * ---
Detail Part of Assembly and/or Component
Attaching parts for Detail Part
    --- * ---
Parts of Detail Part
Attaching parts for Parts of Detail Part
    --- * ---
    
```

Attaching Parts always appear in the same indentation as the item it mounts, while the detail parts are indented to the right. Indented items are part of, and included with, the next higher indentation. The separation symbol --- * --- indicates the end of attaching parts.

Attaching parts must be purchased separately, unless otherwise specified.

ITEM NAME

In the Parts List, an Item Name is separated from the description by a colon (:). Because of space limitations, an Item Name may sometimes appear as incomplete. For further Item Name identification, the U.S. Federal Cataloging Handbook H6-1 can be utilized where possible.

ABBREVIATIONS

"	INCH	ELCTRN	ELECTRON	IN	INCH	SE	SINGLE END
#	NUMBER SIZE	ELEC	ELECTRICAL	INCAND	INCANDESCENT	SECT	SECTION
ACTR	ACTUATOR	ELCTLT	ELECTROLYTIC	INSUL	INSULATOR	SEMICON	SEMICONDUCTOR
ADPTR	ADAPTER	ELEM	ELEMENT	INTL	INTERNAL	SHLD	SHIELD
ALIGN	ALIGNMENT	EPL	ELECTRICAL PARTS LIST	LPHLDR	LAMPHOLDER	SHLDR	SHOULDERED
AL	ALUMINUM	EQPT	EQUIPMENT	MACH	MACHINE	SKT	SOCKET
ASSEM	ASSEMBLED	EXT	EXTERNAL	MECH	MECHANICAL	SL	SLIDE
ASSY	ASSEMBLY	FIL	FILLISTER HEAD	MTG	MOUNTING	SLFLKG	SELF-LOCKING
ATTEN	ATTENUATOR	FLEX	FLEXIBLE	NIP	NIPPLE	SLVG	SLEEVING
AWG	AMERICAN WIRE GAGE	FLH	FLAT HEAD	NON WIRE	NOT WIRE WOUND	SPR	SPRING
BD	BOARD	FLTR	FILTER	OBD	ORDER BY DESCRIPTION	SQ	SQUARE
BRKT	BRACKET	FR	FRAME or FRONT	OD	OUTSIDE DIAMETER	SST	STAINLESS STEEL
BRS	BRASS	FSTNR	FASTENER	OVH	OVAL HEAD	STL	STEEL
BRZ	BRONZE	FT	FOOT	PH BRZ	PHOSPHOR BRONZE	SW	SWITCH
BSHG	BUSHING	FXD	FIXED	PL	PLAIN or PLATE	T	TUBE
CAB	CABINET	GSKT	GASKET	PLSTC	PLASTIC	TERM	TERMINAL
CAP	CAPACITOR	HDL	HANDLE	PN	PART NUMBER	THD	THREAD
CER	CERAMIC	HEX	HEXAGON	PNH	PAN HEAD	THK	THICK
CHAS	CHASSIS	HEX HD	HEXAGONAL HEAD	PWR	POWER	TNSN	TENSION
CKT	CIRCUIT	HEX SOC	HEXAGONAL SOCKET	RCPT	RECEPTACLE	TPG	TAPPING
COMP	COMPOSITION	HLCPS	HELICAL COMPRESSION	RES	RESISTOR	TRH	TRUSS HEAD
CONN	CONNECTOR	HLEXT	HELICAL EXTENSION	RGD	RIGID	V	VOLTAGE
COV	COVER	HV	HIGH VOLTAGE	RLF	RELIEF	VAR	VARIABLE
CPLG	COUPLING	IC	INTEGRATED CIRCUIT	RTNR	RETAINER	W/	WITH
CRT	CATHODE RAY TUBE	ID	INSIDE DIAMETER	SCH	SOCKET HEAD	WSHR	WASHER
DEG	DEGREE	IDENT	IDENTIFICATION	SCOPE	OSCILLOSCOPE	XFMR	TRANSFORMER
DWR	DRAWER	IMPLR	IMPELLER	SCR	SCREW	XSTR	TRANSISTOR

REPLACEABLE MECHANICAL PARTS

CROSS INDEX—MFR. CODE NUMBER TO MANUFACTURER

Mfr. Code	Manufacturer	Address	City, State, Zip
000AE	GARDNER SPRING COMPANY	1115 N UTICA	TULSA, OK 74110
000AH	STANDARD PRESSED STEEL CO., UNBRAKO DIV.	8535 DICE ROAD	SANTA FE SPRINGS, CA 90670
000AQ	CONNOR SPRING & MFG. COMPANY	1426 SE 6TH	PORTLAND, OREGON 97214
000BK	STAUFFER SUPPLY	105 SE TAYLOR	PORTLAND, OR 97214
000CA	MOLEX	2222 WELLINGTON COURT	LYLE, ILLINOIS 60532
000CP	AIMSCO	2110 WEST RUFFNER	SEATTLE, WA 98199
000EO	ZEPHER ELECTRONIC SALES CORP.	647 INDUSTRY DRIVE	SEATTLE, WA 98188
000ER	EGER PRODUCTS INC.	P O BOX 14467	CINCINNATI, OH 45214
00613	USM CORPORATION, MOLLY FASTENER DIVISION	504 MT. LAUREL AVENUE	TEMPLE, PA 19560
00779	AMP, INC.	P O BOX 3608	HARRISBURG, PA 17105
01295	TEXAS INSTRUMENTS, INC., SEMICONDUCTOR GROUP	P O BOX 5012, 13500 N CENTRAL EXPRESSWAY	DALLAS, TX 75222
01963	CHERRY ELECTRICAL PRODUCTS CORPORATION	3600 SUNSET AVENUE	WAUKEGAN, IL 60085
02615	USM CORP., NYLOCK FASTENER DIVISION	611 INDUSTRIAL AVENUE	PARAMUS, NJ 07652
02777	HOPKINS ENGINEERING COMPANY	12900 FOOTHILL BLVD.	SAN FERNANDO, CA 91342
04713	MOTOROLA, INC., SEMICONDUCTOR PROD. DIV.	5005 E MCDOWELL RD, PO BOX 20923	PHOENIX, AZ 85036
05574	VIKING INDUSTRIES, INC.	21001 NORDHOFF STREET	CHATSWORTH, CA 91311
06090	RAYCHEM CORPORATION	300 CONSTITUTION DRIVE	MENLO PARK, CA 94025
06383	PANDUIT CORPORATION	17301 RIDGELAND	TINLEY PARK, IL 60477
07109	OAKTRON INDUSTRIES, INC.	704 30TH STREET	MONROE, WI 53566
07707	USM CORP., USM FASTENER DIV.	510 RIVER RD.	SHELTON, CT 06484
08261	SPECTRA-STRIP CORP.	7100 LAMPSON AVE.	GARDEN GROVE, CA 92642
08530	RELIANCE MICA CORP.	342-39TH ST.	BROOKLYN, NY 11232
09922	BURNDY CORPORATION	RICHARDS AVENUE	NORWALK, CT 06852
11897	PLASTIGLIDE MFG. CORPORATION	P O BOX 867, 1757 STANFORD ST.	SANTA MONICA, CA 90406
11983	NORTRONICS COMPANY, INC.	8101 10TH AVENUE NORTH	MINNEAPOLIS, MN 55427
12327	FREEWAY CORPORATION	9301 ALLEN DRIVE	CLEVELAND, OH 44125
15819	SINCLAIR AND RUSH INC.	6919 SOUTH BROADWAY	ST. LOUIS, MO 63111
20999	MINNESOTA MINING AND MFG CO., INDUSTRIAL ELECTRICAL PRODUCTS DIVISION	3M CENTER	ST. PAUL, MN 55101
22526	BERG ELECTRONICS, INC.	YOUK EXPRESSWAY	NEW CUMBERLAND, PA 17070
22599	ESNA, DIV. OF AMERACE CORPORATION	16150 STAGG STREET	VAN NUYS, CA 91409
26365	GRIES REPRODUCER CO., DIV. OF COATS AND CLARK, INC.	125 BEECHWOOD AVE.	NEW ROCHELLE, NY 10802
27014	NATIONAL SEMICONDUCTOR CORP.	2900 SEMICONDUCTOR DR.	SANTA CLARA, CA 95051
27264	MOLEX PRODUCTS CO.	5224 KATRINE AVE.	DOWNERS GROVE, IL 60515
28520	HEYMAN MFG. CO.	147 N. MICHIGAN AVE.	KENILWORTH, NJ 07033
31223	MICRO PLASTICS, INC.	20821 DEARBORN STREET	CHATSWORTH, CA 91311
50778	PORTESCAP, US	730 FIFTH AVENUE	NEW YORK, NEW YORK 10019
52905	SIMPLEX MFG. COMPANY	5224 NE 42ND AVENUE	PORTLAND, OREGON 97218
54425	VIKING INDS. INC.	9324 TOPANGA CANYON BLVD.	CHATSWORTH, CA 91311
54492	CINCH COMPANY	6126 MONTECITO BLVD., PO BOX 167	SANTA ROSA, CA 95402
59730	THOMAS AND BETTS COMPANY	36 BUTLER ST.	ELIZABETH, NJ 07207
70485	ATLANTIC INDIA RUBBER WORKS, INC.	571 W. POLK ST.	CHICAGO, IL 60607
71468	ITT CANNON ELECTRIC	666 E. DYER RD.	SANTA ANA, CA 92702
71785	TRW, CINCH CONNECTORS	1501 MORSE AVENUE	ELK GROVE VILLAGE, IL 60007
73743	FISCHER SPECIAL MFG. CO.	446 MORGAN ST.	CINCINNATI, OH 45206
73803	TEXAS INSTRUMENTS, INC., METALLURGICAL MATERIALS DIV.	34 FOREST STREET	ATTLEBORO, MA 02703
74868	BUNKER-RAMO CORP., THE AMPHENOL RF DIV.	33 E. FRANKLIN ST.	DANBURY, CT 06810
74921	ITEN FIBRE CO.,	4001 BENEFIT AVE., P O BOX 9	ASHTABULA, OH 44004
75037	MINNESOTA MINING & MFG CO. ELECTRO PRODUCTS DIV.	3M CENTER	ST. PAUL, MN 55101
77250	PHEOLL MANUFACTURING CO., DIVISION OF ALLIED PRODUCTS CORP.	5700 W. ROOSEVELT RD.	CHICAGO, IL 60650
77339	NATIONAL LOCK WASHER COMPANY	P O BOX 5115, INDUSTRIAL PARKWAY	NORTH BRANCH, NJ 08856
78189	ILLINOIS TOOL WORKS, INC. SHAKEPROOF DIVISION	ST. CHARLES ROAD	ELGIN, IL 60120
79136	WALDES, KOHINOOR, INC.	47-16 AUSTEL PLACE	LONG ISLAND CITY, NY 11101
80009	TEKTRONIX, INC.	P O BOX 500	BEAVERTON, OR 97077
82647	TEXAS INSTRUMENTS, INC., CONTROL PRODUCTS DIV.	34 FOREST ST.	ATTLEBORO, MA 02703
82877	ROTRON, INC.	7-9 HASBROUCK LANE	WOODSTOCK, NY 12498
83309	ELECTRICAL SPECIALITY CO., SUBSIDIARY OF BELDEN CORP.	213 E. HARRIS AVE. SOUTH	SAN FRANCISCO, CA 94080
83385	CENTRAL SCREW CO.	2530 CRESCENT DR.	BROADVIEW, IL 60153
86928	SEASTROM MFG. COMPANY, INC.	701 SONORA AVENUE	GLENDALE, CA 91201
87308	N. L. INDUSTRIES, INC., SOUTHERN SCREW DIV.	P. O. BOX 1360	STATESVILLE, NC 28677
87473	INSULECTRO, A DIVISION OF QUINTEC INDST.	343 CORAL CIRCLE	EL SEGUNDO, CA 90245

CROSS INDEX—MFR. CODE NUMBER TO MANUFACTURER

Mfr. Code	Manufacturer	Address	City, State, Zip
90484	ITT, SURPRENANT DIV.	172 STERLING STREET	CLINTON, MA 01510
91260	CONNOR SPRING AND MFG. CO.	1729 JUNCTION AVE.	SAN JOSE, CA 95112
91506	AUGAT, INC.	33 PERRY AVE.	ATTLEBORO, MA 02703
91637	DALE ELECTRONICS, INC.	P. O. BOX 609	COLUMBUS, NE 68601
91886	MALCO A MICRODOT CO.	12 PROGRESS DRIVE	MONTGOMERYVILLE, PA 18936
93907	CAMCAR SCREW AND MFG. CO.	600 18TH AVE.	ROCKFORD, IL 61101
95987	WECKESSER CO., INC.	4444 WEST IRVING PARK RD.	CHICAGO, IL 60641
97464	INDUSTRIAL RETAINING RING CO.	57 CORDIER ST.	IRVINGTON, NJ 07111
99742	PERMACEL DIV. OF JOHNSON AND JOHNSON	U. S. HIGHWAY 1	NEW BRUNSWICK, NJ 08901

REPLACEABLE MECHANICAL PARTS

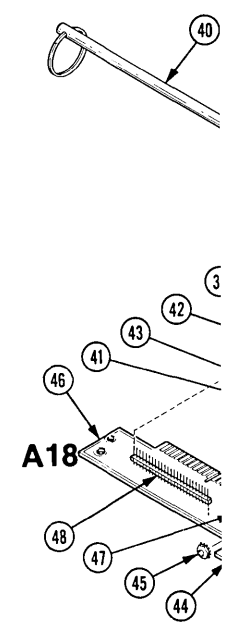
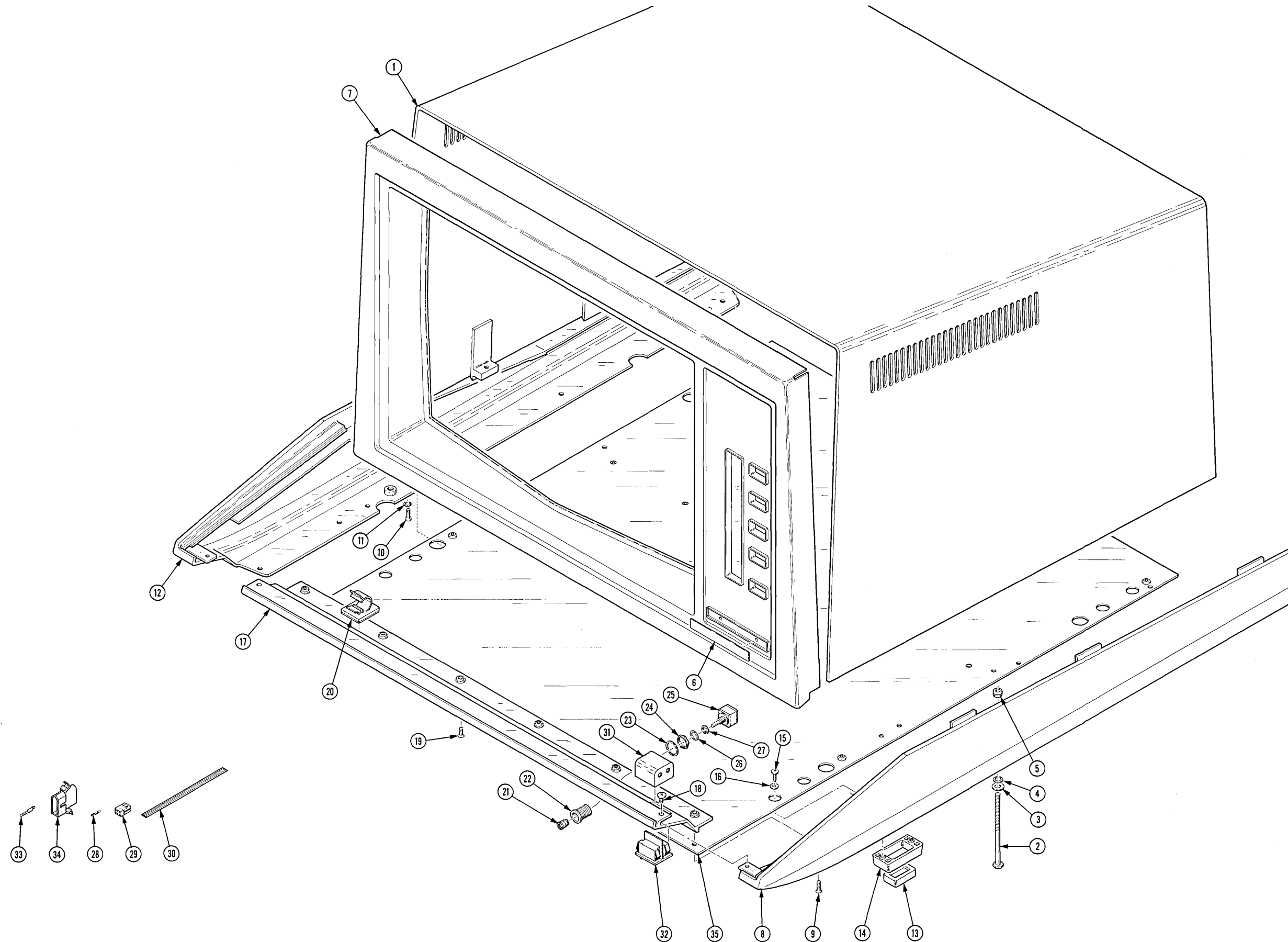
Fig. & Index No.	Tektronix Part No.	Serial/Model No. Eff Dscont	Qty	1	2	3	4	5	Name & Description	Mfr Code	Mfr Part Number
1-1	390-0691-01		1						CABINET TOP:ALUMINUM W/HARDWARE (ATTACHING PARTS)	80009	390-0691-01
-2	212-0543-00		2						SCREW,MACHINE:10-32 X 3.75OHEX HD	83385	OBD
-3	210-0805-00		2						WASHER,FLAT:0.204 ID X 0.438 INCH OD,STL	12327	OBD
-4	210-0010-00		2						WASHER,LOCK:INT,0.20 ID X0.376" OD,STL	78189	1210-00-00-0541C
-5	348-0020-00		2						GROMMET,RUBBER:0.25 INCH	70485	374
									- - - * - - -		
-6	334-3570-00		1						MARKER,IDENT:MKD TEKTRONIX 4054	80009	334-3570-00
-7	331-0550-00		1						MASK,CRT:	80009	331-0550-00
	344-0322-00		2						CLIP,CRT MASK:COPPER BERYLLIUM (ATTACHING PARTS)	80009	344-0322-00
	210-0011-00		2						WASHER,LOCK:INTL,0.062 IDX 0.253 OD,STL	78189	1214-00-00-0541C
									- - - * - - -		
-8	390-0699-00		1						CAB SIDE,CALC:RIGHT,FINISHED (ATTACHING PARTS)	80009	390-0699-00
-9	211-0512-00		1						SCREW,MACHINE:6-32 X 0.50" 100 DEG,FLH STL	83385	OBD
-10	211-0510-00		3						SCREW,MACHINE:6-32 X 0.375 INCH,PNH STL	83385	OBD
-11	210-0006-00		3						WASHER,LOCK:#6 INTL,0.018THK,STL CD PL	78189	1206-00-00-0541C
									- - - * - - -		
-12	390-0700-00		1						CAB SIDE,CALC:LEFT,FINISHED (ATTACHING PARTS)	80009	390-0700-00
	211-0512-00		1						SCREW,MACHINE:6-32 X 0.50" 100 DEG,FLH STL	83385	OBD
	211-0510-00		3						SCREW,MACHINE:6-32 X 0.375 INCH,PNH STL	83385	OBD
	210-0006-00		3						WASHER,LOCK:#6 INTL,0.018THK,STL CD PL	78189	1206-00-00-0541C
									- - - * - - -		
-13	348-0178-00		4						BUMPER,PLASTIC:2.0 W X 0.40 INCH H	80009	348-0178-00
-14	348-0177-00		4						PAD,CABINET FT:1.25 W X 0.50 INCH H (ATTACHING PARTS)	80009	348-0177-00
-15	213-0054-00		8						SCR,TPG,THD FOR:6-32 X 0.312 INCH,PNH STL	93907	OBD
-16	210-0803-00		8						WASHER,FLAT:0.15 ID X 0.032 THK,STL CD PL	12327	OBD
									- - - * - - -		
-17	426-1564-00		1						FRAME SECT,CAB: (ATTACHING PARTS)	80009	426-1564-00
-18	212-0001-00		2						SCREW,MACHINE:8-32 X 0.250 INCH,PNH STL	77250	OBD
-19	211-0559-00		4						SCREW,MACHINE:6-32 X 0.375"100 DEG,FLH STL	83385	OBD
									- - - * - - -		
-20	343-0835-00		2						CLAMP,LOOP:0.375 ID,NYLON W/ADH BACK	80009	343-0835-00
-21	366-0261-00	B010100 B010100	2						KNOB:0.312 OD X 0.406 INCH LONG	80009	366-0261-00
	366-0261-02	B010101	2						KNOB:GRAY,0.129 IDX 0.312 OD X 0.406 H	80009	366-0261-02
-22	103-0214-00		2						ADPTR,VAR RES:0.25-32 INT THD,0.438-28 (ATTACHING PARTS)	80009	103-0214-00
-23	210-0021-00		2						WASHER,LOCK:INTL,0.476 ID X 0.60"OD STL	78189	1222-01-00-0541C
-24	210-0559-00		2						NUT,PLAIN,HEX:0.438-28 X 0.562,BRS CD PL	80009	210-0559-00
									- - - * - - -		
-25	-----		2						RESISTOR,VAR:(SEE R5001,R5002 EPL) (ATTACHING PARTS)		
-26	210-0046-00		2						WASHER,LOCK:INTL,0.26 ID X 0.40" OD,STL	78189	1214-05-00-0541C
-27	210-0562-00		2						NUT,PLAIN,HEX.:0.25-40 X 0.312 INCH,BBS	73743	2X20224-402
									- - - * - - -		
	343-0298-00		1						CLAMP,LOOP:PLASTIC,W/ADHESIVE BACK	95987	HPC25
	175-2660-00		1						CA ASSY,SP,ELEC:4,26 AWG,6.0 L	80009	175-2660-00
-28	131-0965-00		4						. CONTACT,ELEC:0.25" SQ,22-26 AWG WIRE	22526	47792
-29	352-0177-00		1						. CONN BODY,PL,EL:6 WIRE,DBL ROW BLACK	80009	352-0177-00
-30	175-0827-00		AR						. CABLE,SP,ELEC:4,26 AWG,STRD,PVC JKT,RBN	08261	SS04267(1061)OC
	175-2642-00		1						CA ASSY,SP,ELEC:4,18 AWG,40.0 L	80009	175-2642-00
-31	200-1903-00		1						. COVER,ELEC SW:POWER	80009	200-1903-00
-32	-----		1						. SWITCH,ROCKER:(SEE S5001 EPL)		
-33	131-0945-00		4						. CONTACT,ELEC:CONNECTOR,BRASS TIN PL	27264	02-09-2103
-34	131-0946-00		1						. CONNECTOR BODY,:FEMALE,4 CONTACT	27264	03-09-2041
	348-0253-00		2						GROMMET,PLASTIC:BLACK,OBLONG,3.OXO.925	80009	348-0253-00
-35	390-0688-00		1						CABINET BOTTOM:	80009	390-0688-00
-36	333-2511-00		1						PANEL,REAR: (ATTACHING PARTS)	80009	333-2511-00
-37	212-0518-00		2						SCREW,MACHINE:10-32 X 0.312 INCH,PNH STL	83385	OBD
	212-0004-00		2						SCREW,MACHINE:8-32 X 0.312 INCH,PNH STL	83385	OBD
									- - - * - - -		

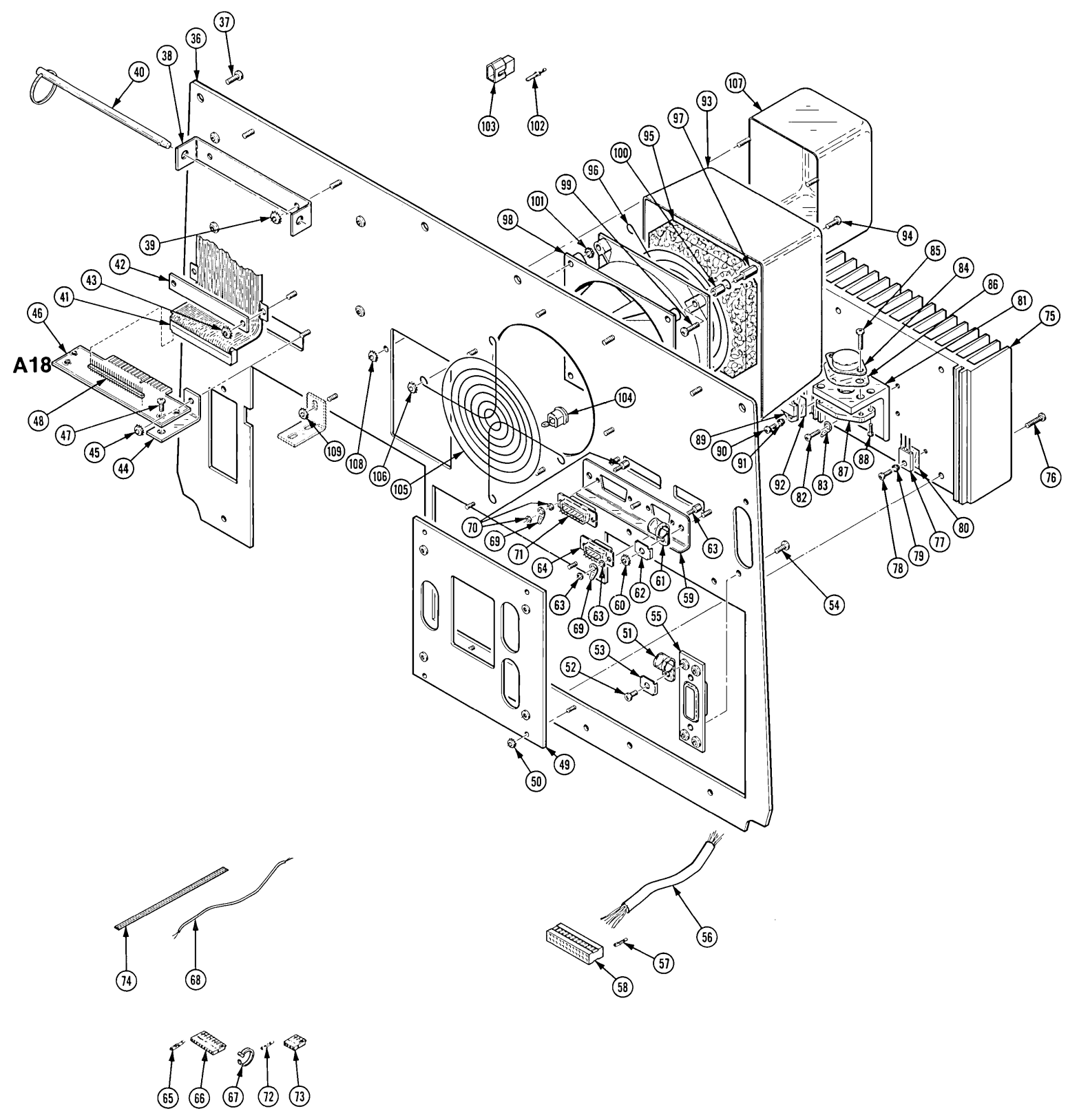
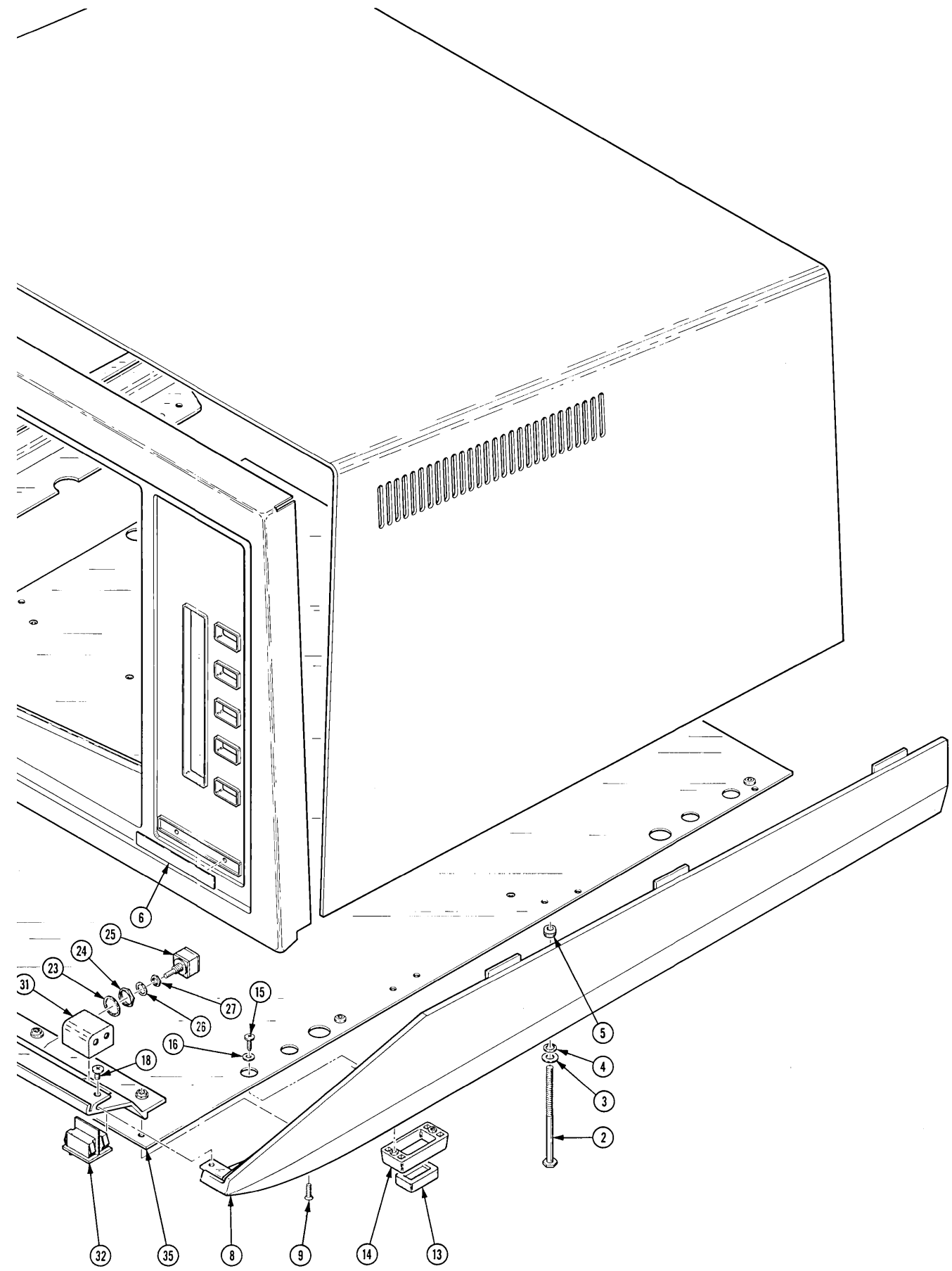
REPLACEABLE MECHANICAL PARTS

Fig. & Index No.	Tektronix Part No.	Serial/Model No. Eff Dscnt	Qty	1 2 3 4 5	Name & Description	Mfr Code	Mfr Part Number
1-38	214-2891-00		2		HINGE,CKT BOARD:STEEL (ATTACHING PARTS)	80009	214-2891-00
-39	210-0458-00		4		NUT,PLAIN,EXT W:8-32 X 0.344 INCH,STL - - - * - - -	83385	OBD
-40	214-2911-00		2		PIN,STR,HEADED:0.25 DIA X 5.662 L,STEEL (NOTE:ON INSTRUMENTS BELOW SN B010200,ENLARGE - MOUNTING HOLES)	80009	214-2911-00
-41	175-2699-00		1		CA ASSY,SP,ELEC:50,28 AWG,19.0 L	80009	175-2699-00
-42	346-0172-00		1		STRAP,GROUNDING:CABLE,3.25 L,AL (ATTACHING PARTS)	80009	346-0172-00
-43	210-0458-00	B010100 B010199	2		NUT,PLAIN,EXT W:8-32 X 0.344 INCH,STL	83385	OBD
	210-0457-00	B010200	2		NUT,PLAIN,EXT W:6-32 X 0.312 INCH,STL - - - * - - -	83385	OBD
-44	407-2309-00		2		BRACKET,ANGLE:CIRCUIT BOARD,AL (ATTACHING PARTS)	80009	407-2309-00
-45	210-0457-00		2		NUT,PLAIN,EXT W:6-32 X 0.312 INCH,STL - - - * - - -	83385	OBD
-46	-----		1		CKT BOARD ASSY:BACKPACK INTERCON(SEE A18 EPL) (ATTACHING PARTS)		
-47	211-0504-00		2		SCREW,MACHINE:6-32 X 0.25 INCH,PNH STL - - - * - - -	83385	OBD
-48	131-1857-00		2		. CKT BOARD ASSY INCLUDES: . TERM. SET,PIN:36/0.025 SQ PIN,ON 0.1 CTRS	22526	65500136
-49	386-4255-00		1		PLATE,HEAT SINK:ALUMINUM (ATTACHING PARTS)	80009	386-4255-00
-50	210-0586-00		4		NUT,PLAIN,EXT W:4-40 X 0.25 INCH,STL - - - * - - -	78189	211-041800-00
-51	343-0004-00		1		CLAMP,LOOP:0.312 INCH DIAMETER,PLSTC (ATTACHING PARTS)	95987	5-16-6B
-52	211-0504-00		1		SCREW,MACHINE:6-32 X 0.25 INCH,PNH STL	83385	OBD
-53	210-0863-00		1		WSHR,LOOP CLAMP:FOR 0.50" WIDE CLAMP,STL - - - * - - -	95987	C191
	175-2661-00		1		CA ASSY,SP,ELEC:24,26 AWG,13.0 L (ATTACHING PARTS)	80009	175-2661-00
-54	211-0581-00		2		SCREW,MACHINE:6-32 X 0.375 INCH,TRH STL - - - * - - -	83385	OBD
-55	386-3370-01		1		. GPIB CABLE ASSY INCLUDES: . PLATE,CONN MTG:REAR,W/HARDWARE	80009	386-3370-01
-56	175-0393-00		1		. CABLE,SP,ELEC:24,26 AWG,GRAY VINYL JKT	80009	175-0393-00
-57	131-0707-00		24		. CONNECTOR,TERM.:22-26 AWG,BRS& CU BE GOLD	22526	47439
-58	352-0428-00		1		. CONN BODY,PLUG:2/12 FEM CONT	22526	65043070
-59	407-2321-00		1		BRACKET,CONN:ALUMINUM (ATTACHING PARTS)	80009	407-2321-00
-60	210-0457-00		3		NUT,PLAIN,EXT W:6-32 X 0.312 INCH,STL - - - * - - -	83385	OBD
-61	343-0004-00		1		CLAMP,LOOP:0.312 INCH DIAMETER,PLSTC	95987	5-16-6B
	343-0005-00		1		CLAMP,LOOP:0.438 INCH	95987	7-16-6B
-62	210-0863-00		2		WSHR,LOOP CLAMP:FOR 0.50" WIDE CLAMP,STL	95987	C191
	175-2689-00		1		CA ASSY,SP,ELEC:4,26 AWG,5,22 AWG,29.0 L (ATTACHING PARTS)	80009	175-2689-00
-63	131-0890-00		2		LOCK,CONNECTOR:4-40 X 0.312 L - - - * - - -	71468	D 20418-2
-64	131-1006-00		1		. JOYSTICK CABLE ASSY INCLUDES: . CONN,RCPT,ELEC:9 CONTACT,FEMALE	71468	DE 9S
-65	131-0708-00		4		. CONTACT,ELEC:0.48"L,28-32 AWG WIRE	22526	47437
	131-0707-00		5		. CONNECTOR,TERM.:22-26 AWG,BRS& CU BE GOLD	22526	47439
-66	352-0167-01		1		. CONN BODY,PL,EL:9 WIRE BROWN	80009	352-0167-01
-67	343-0549-00		6		. STRAP,TIEDOWN:0.091 W X 3.62 INCH LONG	59730	TY23M
-68	175-0072-00		AR		. CABLE,RF:2 CONDUCTOR	80009	175-0072-00
-69	210-0201-00		2		TERMINAL,LUG:SE #4	86928	A373-157-2
	175-2688-00		1		CA ASSY,SP,ELEC:4,26 AWG,2,50 OHM COAX,30.0 (ATTACHING PARTS)	80009	175-2688-00
-70	131-0890-00		2		LOCK,CONNECTOR:4-40 X 0.312 L - - - * - - -	71468	D 20418-2
-71	131-0458-00		1		. HARD COPY CABLE ASSY INCLUDES: . CONNECTOR,RCPT,:15 PIN,FEMALE	71468	DA15S
	131-0707-00		3		. CONNECTOR,TERM.:22-26 AWG,BRS& CU BE GOLD	22526	47439

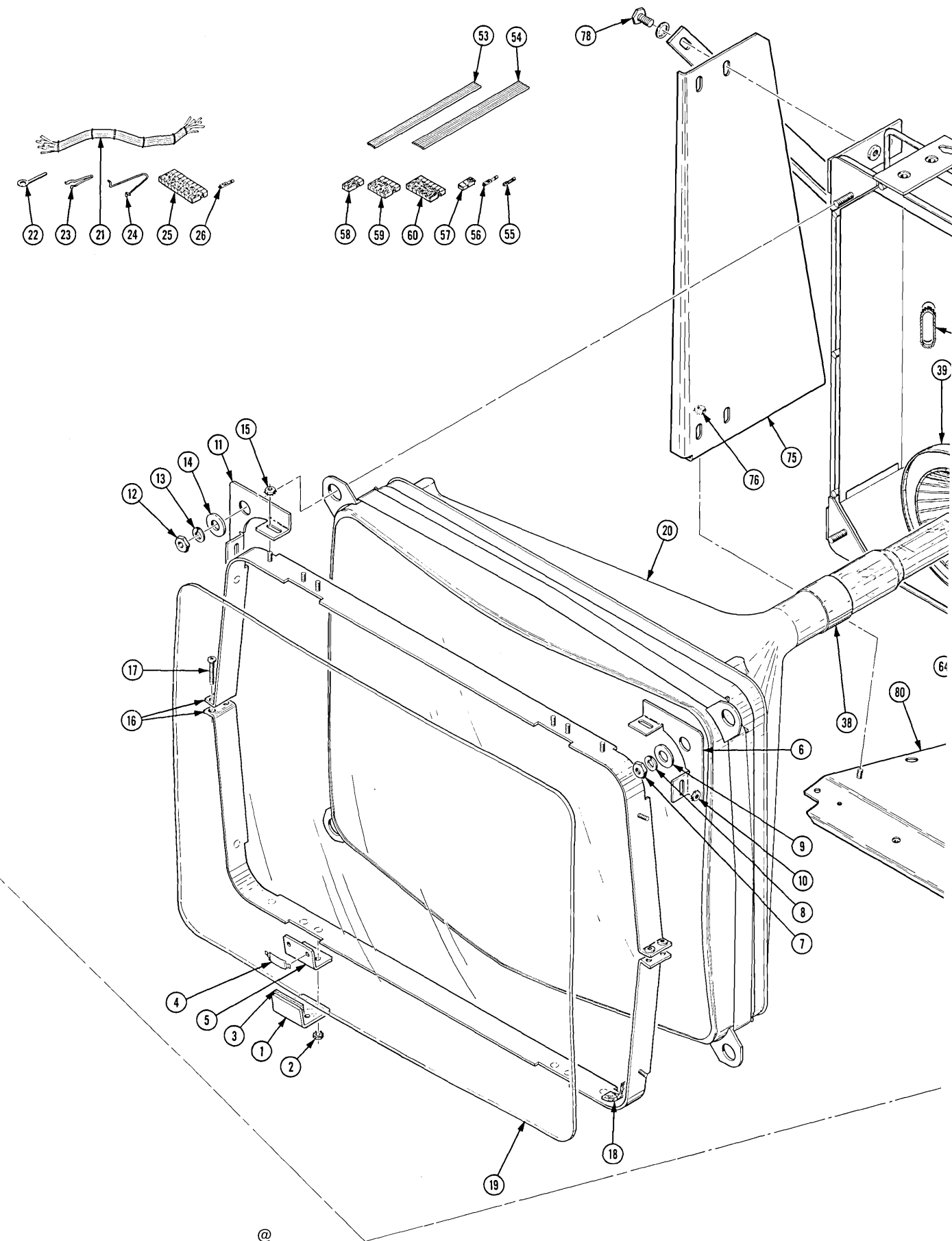
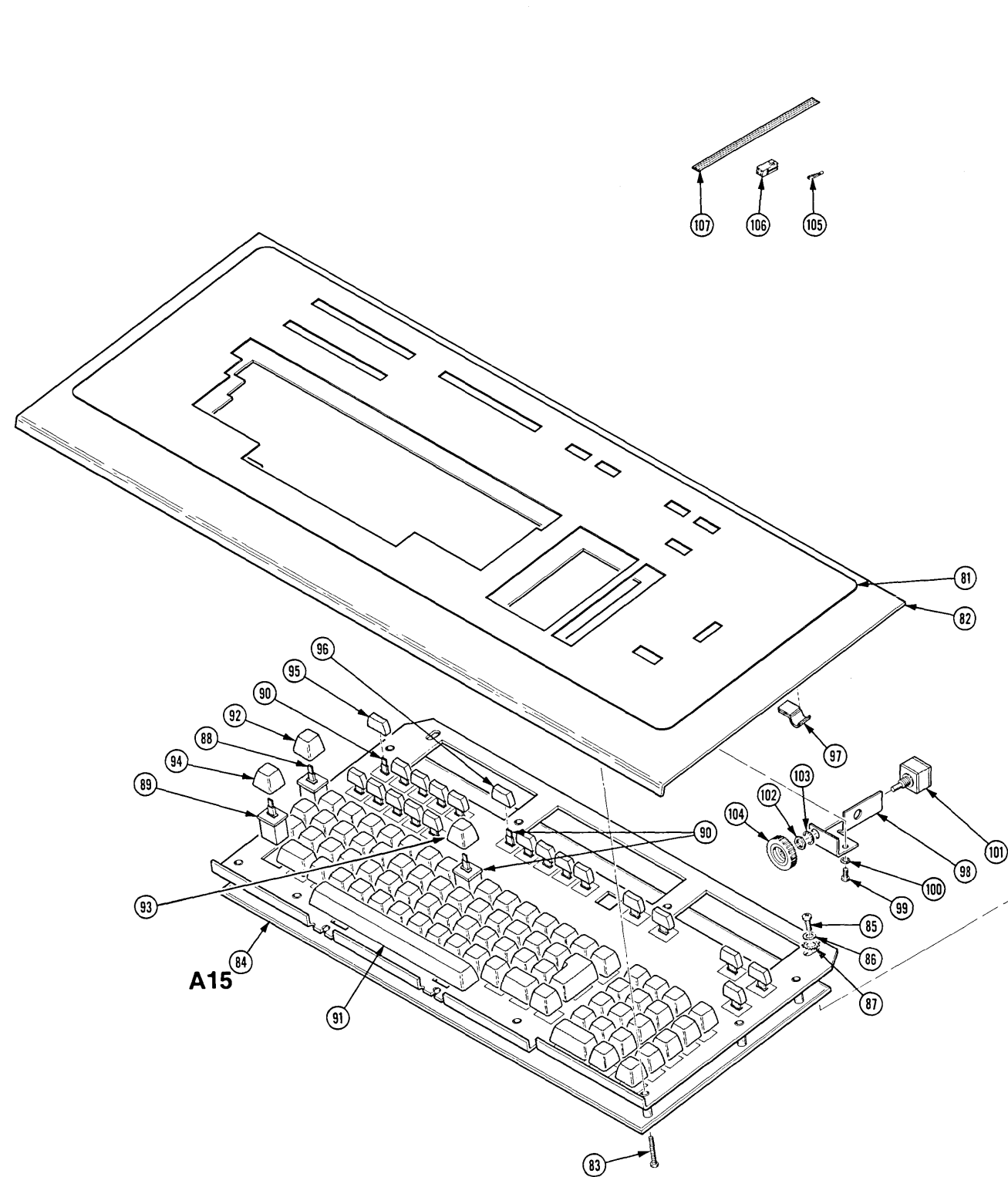
REPLACEABLE MECHANICAL PARTS

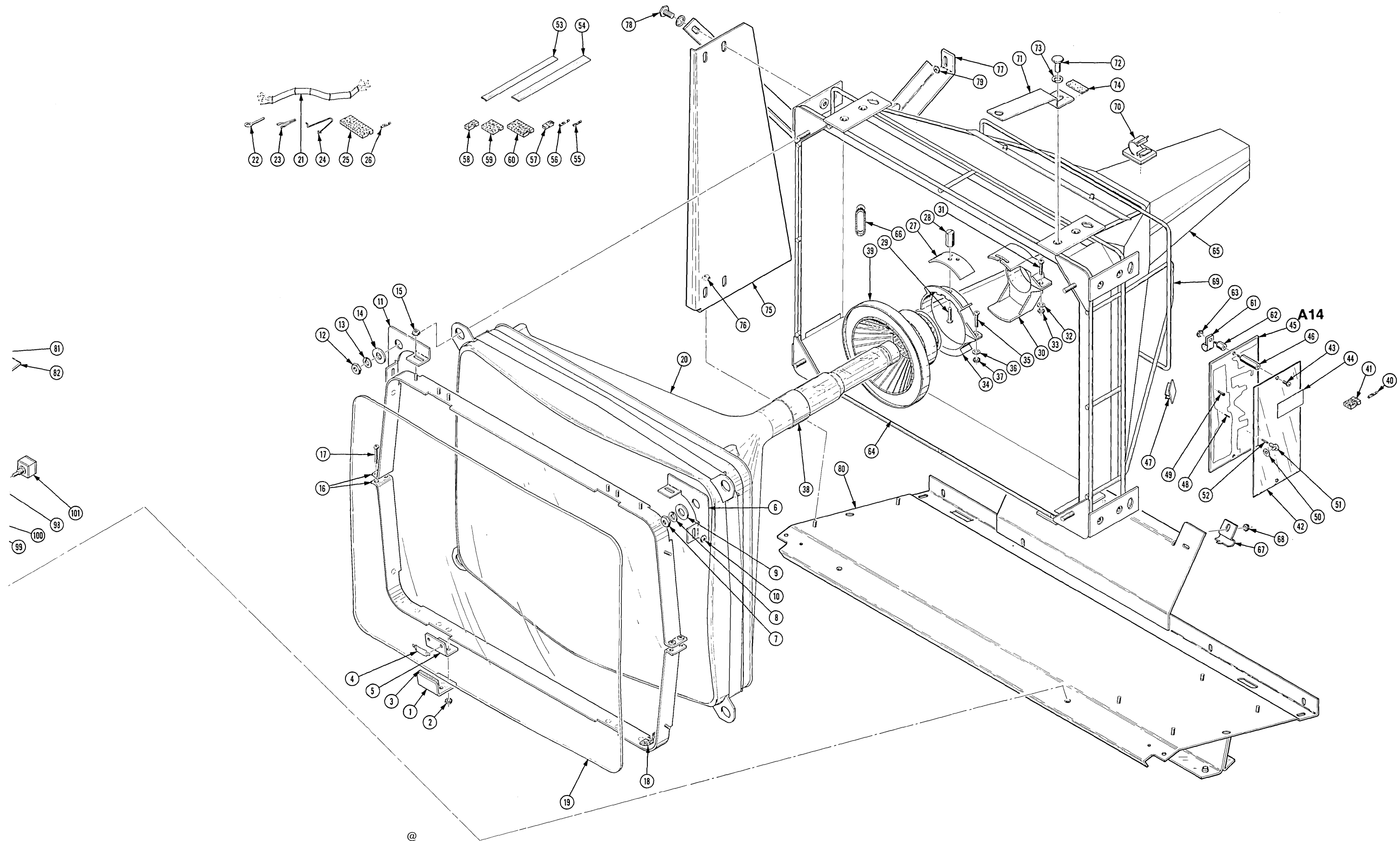
Fig. & Index No.	Tektronix Part No.	Serial/Model No. Eff Dscont	Qty	1	2	3	4	5	Name & Description	Mfr Code	Mfr Part Number
1-	131-0708-00		6	.					CONTACT,ELEC:0.48" L,28-32 AWG WIRE	22526	47437
-72	131-2428-00		4	.					CONN PLUG,ELEC:18-20 AWG,BRS & CU BE GOLD	22526	47441
-73	352-0162-00		1	.					HLDR,TERM CONN:4 WIRE BLACK	80009	352-0162-00
	352-0167-00		1	.					HLDR,TERM CONN:9 WIRE BLACK	80009	352-0167-00
	175-0072-00		AR	.					CABLE,RF:2 CONDUCTOR	80009	175-0072-00
-74	175-0862-00		AR	.					WIRE,ELECTRICAL:3 WIRE RIBBON	08261	SS-0322-1910610C
	175-1020-00		AR	.					CABLE,RF:50 OHM COAX,WHT POLYTHN JKT	90484	DAB70JAAAWHITE
	343-0549-00		7	.					STRAP,TIEDOWN:0.091 W X 3.62 INCH LONG	59730	TY23M
-75	214-2890-00		1						HEAT SINK,ELEC:CIRCUIT BOARD,AL (ATTACHING PARTS)	80009	214-2890-00
-76	211-0511-00		4						SCREW,MACHINE:6-32 X 0.500,PNH,STL,CD PL - - - * - - -	83385	OBD
-77	-----		2						TRANSISTOR:(SEE Q5007,Q5009 EPL) (ATTACHING PARTS)		
-78	211-0097-00		2						SCREW,MACHINE:4-40 X 0.312 INCH,PNH STL	83385	OBD
-79	210-1181-00		2						WASHER,SHLDR:1.22 ID X 0.20D - - - * - - -	31223	OBD
-80	342-0163-00		2						INSULATOR,PLATE:XSTR,0.675 X 0.625 X 0.001"	80009	342-0163-00
-81	407-0405-00		1						BRACKET,ANGLE:TRANSISTOR,ALUMINUM (ATTACHING PARTS)	80009	407-0405-00
-82	211-0012-00		4						SCREW,MACHINE:4-40 X 0.375,PNH STL CD PL	83385	OBD
-83	210-0201-00		1						TERMINAL,LUG:SE #4 - - - * - - -	86928	A373-157-2
-84	-----		1						MICROCIRCUIT:(SEE U5011 EPL) (ATTACHING PARTS)		
-85	211-0511-00		2						SCREW,MACHINE:6-32 X 0.500,PNH,STL,CD PL - - - * - - -	83385	OBD
-86	386-0978-00		1						INSULATOR,PLATE:TRANSISTOR,MICA	80009	386-0978-00
-87	136-0135-01		1						CKT,PL-IN ELEC:TRANSISTOR,2 CONT (ATTACHING PARTS)	91506	X8080-167
-88	211-0062-00		2						SCREW,MACHINE:2-56 X 0.312 INCH,RDH STL - - - * - - -	83385	OBD
-89	-----		1						TRANSISTOR:(SEE Q5005 EPL) (ATTACHING PARTS)		
-90	211-0097-00		1						SCREW,MACHINE:4-40 X 0.312 INCH,PNH STL	83385	OBD
-91	210-1181-00		1						WASHER,SHLDR:1.22 ID X 0.20D - - - * - - -	31223	OBD
-92	342-0311-00		1						INSULATOR,PLATE:MICA,TO-3 PLSTC TRANSISTOR	01295	10-21-023-105
-93	343-0832-01		1						RTNR,AIR FILTER:4.963 L X 4.75 W,ABS,TV GRY (ATTACHING PARTS)	80009	343-0832-01
-94	211-0510-00		4						SCREW,MACHINE:6-32 X 0.375 INCH,PNH STL - - - * - - -	83385	OBD
-95	378-2041-00		1						FILTER ELEM,AIR:4.5 SQ X 0.5 THK,PU	80009	378-2041-00
-96	200-2222-00		1						GUARD,FAN: (ATTACHING PARTS)	80009	200-2222-00
-97	129-0458-00		4						POST,ELEC-MECH:6-32 X 0.25 HEX. X 0.487" L - - - * - - -	80009	129-0458-00
-98	119-1024-00		1						FAN,VENTILATING:115V,18W,3100RPM,115 CFM (ATTACHING PARTS)	82877	028316
-99	211-0540-00		4						SCREW,MACHINE:6-32 X 0.50 INCH,TRH STL	83385	OBD
-100	385-0079-00		4						SPACER,POST:0.375 L W/6-32 THD THRU,AL	80009	385-0079-00
-101	210-0457-00		4						NUT,PLAIN,EXT W:6-32 X 0.312 INCH,STL - - - * - - -	83385	OBD
	175-2666-00		1						CA ASSY,SP,ELEC:2,18 AWG,22.0 L	80009	15-2666-00
-102	131-0945-00		2						CONTACT,ELEC:CONNECTOR,BRASS TIN PL	27264	02-09-2103
-103	204-0827-00		1						CONN BODY,PLUG:2 CONT FEMALE	80009	204-0827-00
	131-2436-00		2						TERM,QIK DISC:18-22 AWG,FEMALE	80009	131-2436-00
	175-2203-00		AR						CABLE,SP,ELEC:2,18 AWG,W/VINYL JACKET	80009	175-2203-00
-104	358-0161-00		1						BSHG,STRAIN RLF:FOR 0.50 INCH HOLE,PLASTIC	28520	SR5P4
-105	200-2222-00		1						GUARD,FAN: (ATTACHING PARTS)	80009	200-2222-00
-106	210-0457-00		4						NUT,PLAIN,EXT W:6-32 X 0.312 INCH,STL - - - * - - -	83385	OBD
-107	200-2356-00		1						COVER,CRT END:STEEL (ATTACHING PARTS)	80009	200-2356-00
-108	210-0457-00		4						NUT,PLAIN,EXT W:6-32 X 0.312 INCH,STL - - - * - - -	83385	OBD
-109	210-0457-00		1						NUT,PLAIN,EXT W:6-32 X 0.312 INCH,STL	83385	OBD





@





REPLACEABLE MECHANICAL PARTS

Fig. & Index No.	Tektronix Part No.	Serial/Model No. Eff Dscont	Qty	1	2	3	4	5	Name & Description	Mfr Code	Mfr Part Number
2-1	343-0666-00		4						CLAMP, FILTER: UPPER LEFT, LOWER RIGHT (ATTACHING PARTS)	80009	343-0666-00
-2	210-0457-00		8						NUT, PLAIN, EXT W: 6-32 X 0.312 INCH, STL - - - * - - -	83385	OBD
-3	253-0137-00		AR						RL TAPE: 1.25W X 4.5 INCH L, ADH, SIL RBR	99742	2650
-4	131-1520-00		4						CONTACT, ELEC: GROUNDING	80009	131-1520-00
-5	352-0490-00		4						HOLDER, CONTACT:	80009	352-0490-00
-6	407-2019-00		2						BRKT, RTNG STRAP: LWR LEFT OR UPPER RIGHT, AL (ATTACHING PARTS)	80009	407-2019-00
-7	210-0411-00		2						NUT, PLAIN, HEX.: 0.25-20 X 0.438 INCH STL	73743	OBD
-8	210-0016-00		2						WASHER, LOCK: SPLIT, 0.259 ID X 0.489 OD, STL	77339	6507
-9	210-1044-00		2						WASHER, FLAT: 0.375 ID X 0.75 INCH OD, STL	86928	OBD
-10	210-0457-00		4						NUT, PLAIN, EXT W: 6-32 X 0.312 INCH, STL - - - * - - -	83385	OBD
-11	407-2018-00		2						BRKT, RTNG STRAP: UPPER LEFT OR LWR RIGHT, AL (ATTACHING PARTS)	80009	407-2018-00
-12	210-0411-00		2						NUT, PLAIN, HEX.: 0.25-20 X 0.438 INCH STL	73743	OBD
-13	210-0016-00		2						WASHER, LOCK: SPLIT, 0.259 ID X 0.489 OD, STL	77339	6507
-14	210-1044-00		2						WASHER, FLAT: 0.375 ID X 0.75 INCH OD, STL	86928	OBD
-15	210-0457-00		4						NUT, PLAIN, EXT W: 6-32 X 0.312 INCH, STL - - - * - - -	83385	OBD
-16	346-0157-00		2						STRAP, RETAINING: LOWER & UPPER, FILTER (ATTACHING PARTS)	80009	346-0157-00
-17	211-0517-00		4						SCREW, MACHINE: 6-32 X 1 INCH, PNH, STL - - - * - - -	83385	OBD
-18	-----		AR						PLASTIC STRIP: PRESS, SENS, ADH CTD BS		
-19	337-1981-01		1						SHLD, IMPLOSION: GREEN	80009	337-1981-01
-20	-----		1						ELECTRON TUBE: (SEE V1 EPL)		
-21	179-2424-02		1						WIRING HARNESS: CRT	80009	179-2424-02
-22	210-0224-00		2						TERMINAL, LUG: 0.20 ID X 0.344 OD, SE, BRS	86928	A373-148-1
-23	344-0035-00		2						CLIP, ELECTRICAL: SNAP-ON	80009	344-0035-00
-24	131-1594-00		1						CONTACT, ELEC: ANODE, 0.042 DIA SPR STL, U-SHP	91260	OBD
	136-0660-00		2						SKT, PL-IN ELEC: FLOOD GUN	80009	136-0660-00
-25	352-0206-03		1						HLD, TERM CONN: 10 WIRE ORANGE	80009	352-0206-03
	352-0206-04		1						HLD, TERM CONN: 10 WIRE YELLOW	80009	352-0206-04
-26	131-0621-00		8						CONNECTOR, TERM: 22-26 AWG, BRS & CU BE GOLD	22526	46231
	131-0622-00		1						CONTACT, ELEC: 0.577"L, 28-32 AWG WIRE	22526	46241
	131-0792-00		1						CONNECTOR, TERM: 18-20 AWG, CU BE GOLD PL	22526	46221
-27	343-0670-00		1						CLAMP, CRT: TEK 19 (ATTACHING PARTS)	80009	343-0670-00
-28	129-0640-00		1						SPACER, POST: 0.75 L, W/6-32THD ONE END, AL	80009	129-0640-00
-29	212-0100-00		1						SCREW, MACHINE: 8-32 X 0.625 INCH, HEX. HD, STL - - - * - - -	83385	OBD
-30	343-0665-00		1						CLAMP, CRT: NECK (ATTACHING PARTS)	80009	343-0665-00
-31	211-0513-00		1						SCREW, MACHINE: 6-32 X 0.625 INCH, PNH STL	83385	OBD
-32	210-0803-00		1						WASHER, FLAT: 0.15 ID X 0.032 THK, STL CD PL	12327	OBD
-33	210-0457-00		1						NUT, PLAIN, EXT W: 6-32 X 0.312 INCH, STL - - - * - - -	83385	OBD
-34	343-0664-00		1						CLAMP, CRT: YOKE (ATTACHING PARTS)	80009	343-0664-00
-35	211-0513-00		1						SCREW, MACHINE: 6-32 X 0.625 INCH, PNH STL	83385	OBD
-36	210-0803-00		1						WASHER, FLAT: 0.15 ID X 0.032 THK, STL CD PL	12327	OBD
-37	210-0457-00		1						NUT, PLAIN, EXT W: 6-32 X 0.312 INCH, STL - - - * - - -	83385	OBD
-38	253-0137-00		AR						RL TAPE: 1.25W X 4.5 INCH L, ADH, SIL RBR	99742	2650
-39	-----		1						COIL, TUBE DEFLE: (SEE L5022A, B EPL)		
-40	131-0621-00		6						CONNECTOR, TERM: 22-26 AWG, BRS & CU BE GOLD	22526	46231
-41	352-0199-04		1						CONN BODY, PL, EL: 3 WIRE YELLOW	80009	352-0199-04
	352-0199-05		1						CONN BODY, PL, EL: 3 WIRE GREEN	80009	352-0199-05
-42	200-2357-00		1						COVER, CKT BOARD: POLYCARBONATE (ATTACHING PARTS)	80009	200-2357-00
-43	211-0504-00		2						SCREW, MACHINE: 6-32 X 0.25 INCH, PNH STL - - - * - - -	83385	OBD

REPLACEABLE MECHANICAL PARTS

Fig. & Index No.	Tektronix Part No.	Serial/Model No. Eff	Dscont	Qty	1 2 3 4 5	Name & Description	Mfr Code	Mfr Part Number
2-44	334-2255-00			1		MARKER, IDENT:DANGER 500V	80009	334-2255-00
-45	-----			1		CKT BOARD ASSY:HARD COPY AMP(SEE A14 EPL) (ATTACHING PARTS)		
-46	129-0565-00			2		POST,ELEC-MECH:1.281 L,W/6-32 THD,AL	80009	129-0565-00
-47	343-0401-01			2		RETAINER,CLIP:W/ADHESIVE BACK,GRAY	80009	343-0401-01
	-----			-		. CKT BOARD ASSY INCLUDES:		
-48	131-0589-00			34		. TERM,PIN:0.46 L X 0.025 SQ.PH BRZ GL	22526	47350
-49	214-0579-00			4		. TERM,TEST POINT:BRS CD PL	80009	214-0579-00
-50	210-1014-00			1		. WASHER,NONMETAL:0.094 ID X 0.312" OD,TEFLON	80009	210-1014-00
-51	352-0125-00			1		. HOLDER,TOROID:MOLD ACETAL	80009	352-0125-00
-52	214-0506-00			1		. CONTACT,ELEC:0.045 SQ X 0.375 INCH L	80009	214-0506-00
	198-3444-00			1		WIRE SET,ELEC:	80009	198-3444-00
-53	175-0828-00			AR		. WIRE,ELECTRICAL:5 WIRE RIBBON	08261	0BD
-54	175-0830-00			AR		. WIRE,ELECTRICAL:7 WIRE RIBBON	08261	SS-0726-710610C
	175-1020-00			AR		. CABLE,RF:50 OHM COAX,WHT POLYTHN JKT	90484	DAB70JAAAWHITE
-55	131-0621-00			10		. CONNECTOR,TERM:22-26 AWG,BRS& CU BE GOLD	22526	46231
-56	131-0622-00			1		. CONTACT,ELEC:0.577"L,28-32 AWG WIRE	22526	46241
	131-0707-00			2		. CONNECTOR,TERM.:22-26 AWG,BRS& CU BE GOLD	22526	47439
	131-0792-00			2		. CONNECTOR,TERM:18-20 AWG,CU BE GOLD PL	22526	46221
	343-0549-00			3		. STRAP,TIEDOWN:0.091 W X 3.62 INCH LONG	59730	TY23M
-57	352-0169-00			1		. HLDR,TERM CONN:2 WIRE BLACK	80009	352-0169-00
-58	352-0198-00			1		. HLDR,TERM CONN:2 WIRE BLACK	80009	352-0198-00
-59	352-0201-01			1		. CONN BODY,PL,EL:5 WIRE BROWN	80009	352-0201-01
	352-0201-03			1		. CONN BODY,PL,EL:5 WIRE ORANGE	80009	352-0201-03
-60	352-0203-02			1		. CONN BODY,PL,EL:7 WIRE ORANGE	80009	352-0203-02
	352-0203-04			1		. CONN BODY,PL,EL:7 WIRE YELLOW	80009	352-0203-04
-61	343-0661-00			2		CLAMP,LOOP:0.250 DIA,STEEL CAD PLATE (ATTACHING PARTS)	000ER	S4199BL-CHROMATE
-62	129-0458-00			2		POST,ELEC-MECH:6-32 X 0.25 HEX. X 0.487" L	80009	129-0458-00
-63	210-0457-00			2		NUT,PLAIN,EXT W:6-32 X 0.312 INCH,STL	83385	0BD
	175-2676-00			1		CA ASSY,SP,ELEC:12,26 AWG,50 OHM COAX,32.0	80009	175-2676-00
	175-0828-00			AR		. WIRE,ELECTRICAL:5 WIRE RIBBON	08261	0BD
	175-0830-00			AR		. WIRE,ELECTRICAL:7 WIRE RIBBON	08261	SS-0726-710610C
	175-1020-00			AR		. CABLE,RF:50 OHM COAX,WHT POLYTHN JKT	90484	DAB70JAAAWHITE
	131-0621-00			24		. CONNECTOR,TERM:22-26 AWG,BRS& CU BE GOLD	22526	46231
	131-0622-00			1		. CONTACT,ELEC:0.577"L,28-32 AWG WIRE	22526	46241
	131-0708-00			1		. CONTACT,ELEC:0.48"L,28-32 AWG WIRE	22526	47437
	131-0792-00			1		. CONNECTOR,TERM:18-20 AWG,CU BE GOLD PL	22526	46221
	131-2428-00			1		. CONN PLUG,ELEC:18-20 AWG,BRS & CU BE GOLD	22526	47441
	343-0549-00			6		. STRAP,TIEDOWN:0.091 W X 3.62 INCH LONG	59730	TY23M
	352-0169-00			1		. HLDR,TERM CONN:2 WIRE BLACK	80009	352-0169-00
	352-0198-00			1		. HLDR,TERM CONN:2 WIRE BLACK	80009	352-0198-00
	352-0201-01			1		. CONN BODY,PL,EL:5 WIRE BROWN	80009	352-0201-01
	352-0201-03			1		. CONN BODY,PL,EL:5 WIRE ORANGE	80009	352-0201-03
	352-0203-02			1		. CONN BODY,PL,EL:7 WIRE ORANGE	80009	352-0203-02
	352-0203-04			1		. CONN BODY,PL,EL:7 WIRE YELLOW	80009	352-0203-04
-64	337-2383-00			1		SHIELD,CRT:FRONT	80009	337-2383-00
-64.1	162-0573-00			2		INSUL SLVG,ELEC:HT SHRINK,1.0 ID POLYOLEFIN	06090	RFR-1.01D
-65	337-2384-00			1		SHIELD,CRT:REAR (ATTACHING PARTS)	80009	337-2384-00
	210-3073-00			16		RIVET,BLIND:0.265 L X 0.125 ID STEEL	07707	SD-42-BS
	210-1282-00			16		WASHER,FLAT:0.130 ID X 0.06 THK,STEEL	07707	S-BBUP-4
-66	255-0334-00			AR		PLASTIC CHANNEL:12.75 X 0.175X 0.155,NYL	11897	122-37-2500
-67	344-0318-00			2		CLIP,CRT BRKT:STEEL (ATTACHING PARTS)	80009	344-0318-00
-68	210-0457-00			2		NUT,PLAIN,EXT W:6-32 X 0.312 INCH,STL	83385	0BD
-69	426-1359-00			1		FRAME,CRT MDL:	80009	426-1359-00
-70	343-0853-00			1		CLAMP,LOOP:0.5 DIA,NYLON	80009	343-0853-00
-71	344-0322-00			2		CLIP,CRT MASK:COPPER BERYLLIUM (ATTACHING PARTS)	80009	344-0322-00
-72	213-0001-00			2		SCREW,CAP,SCH:0.25-20 X 0.50 INCH LONG STL	000AH	0BD
-73	210-0016-00			2		WASHER,LOCK:SPLIT,0.259 ID X 0.489 OD,STL	77339	6507

REPLACEABLE MECHANICAL PARTS

Fig. & Index No.	Tektronix Part No.	Serial/Model No. Eff Dscont	Qty	1	2	3	4	5	Name & Description	Mfr Code	Mfr Part Number
2-74	-----	-----	AR						PLASTIC STRIP:PRESS,SENS,ADH CTD BS		
-75	386-4055-00		1						PLATE,SUPPORT: (ATTACHING PARTS)	80009	386-4055-00
-76	210-0458-00		2						NUT,PLAIN,EXT W:8-32 X 0.344 INCH,STL - - - * - - -	83385	OBD
-77	122-1015-00		1						BRACKET,CRT FRAME:ALUMINUM (ATTACHING PARTS)	80009	122-1015-00
-78	213-0001-00		1						SCREW,CAP,SCH:0.25-20 X 0.50 INCH LONG STL	000AH	OBD
-78.1	210-0016-00		1						WASHER,LOCK:SPLIT,0.259 ID X 0.489 OD,STL	77339	6507
-79	210-0458-00		2						NUT,PLAIN,EXT W:8-32 X 0.344 INCH,STL - - - * - - -	83385	OBD
-80	386-4168-00		1						SPRT CRT,ASSY:	80009	386-4168-00
-81	334-3474-00		1						OVERLAY,KYBD:BLANK	80009	334-3474-00
-82	333-2496-00		1						PANEL,FRONT: (ATTACHING PARTS)	80009	333-2496-00
-83	211-0019-00		12						SCREW,MACHINE:4-40 X 1.0 INCH,PNH STL - - - * - - -	83385	OBD
-84	119-1050-00		1						KEYBOARD,CALC: (ATTACHING PARTS)	80009	119-1050-00
-85	211-0542-00		2						SCREW,MACHINE:6-32 X 0.312 INCH,TRH STL	83385	OBD
-86	210-0803-00		2						WASHER,FLAT:0.15 ID X 0.032 THK,STL CD PL	12327	OBD
-87	210-0009-00		2						WASHER,LOCK:EXT,0.193ID X0.40" OD,STL - - - * - - -	78189	1110-00
-88	260-1393-01		2						. SWITCH,PUSH:SPST,NO,KYBD SW,HIGH ACTG F	01963	M51-0101
-89	118-0081-00		1						. SWITCH,PUSH:KEYBOARD	01963	M61-0800
-90	260-1393-00		95						. SWITCH,PUSH:SPST,NO KEYBOARD SWITCH	01963	M61-0100
-91	119-0423-00		1						. SPACE BAR ASSY:	01963	B99-0003
-92	366-1790-02		1						. PUSH BUTTON:GOLD,HOME/PAGE	80009	366-1790-02
	366-1790-01		1						. PUSH BUTTON:TV GRAY,LEFT BRACE OVER LEFT BRKT	80009	366-1790-01
	366-1712-03		1						. PUSH BUTTON:LT GRAY,!/1	01963	028-6680
	366-1790-18		1						. PUSH BUTTON:TEK TAN,"/2	80009	366-1790-18
	366-1712-05		1						. PUSH BUTTON:LT GRAY,#/3	01963	028-6682
	366-1712-06		1						. PUSH BUTTON:LT GRAY,\$/4	01963	028-6683
	366-1712-07		1						. PUSH BUTTON:LT GRAY,%/5	01963	028-6684
	366-1790-22		1						. PUSH BUTTON:TEK TAN,&/6	80009	366-1790-22
	366-1790-21		1						. PUSH BUTTON:TEK TAN,'/7	80009	366-1790-21
-93	366-1790-19		1						. PUSH BUTTON:TEK TAN,(/8	80009	366-1790-19
	366-1790-20		1						. PUSH BUTTON:TEK TAN,)/9	80009	366-1790-20
	366-1790-17		1						. PUSH BUTTON:TEK TAN,0	80009	366-1790-17
	366-1790-16		1						. PUSH BUTTON:TEK TAN,*:/	80009	366-1790-16
	366-1790-15		1						. PUSH BUTTON:TEK TAN,=-/	80009	366-1790-15
	366-1790-14		1						. PUSH BUTTON:TV GRAY,R BRACE OVER RIGHT BRKT	80009	366-1790-14
	366-1790-13		1						. PUSH BUTTON:TV GRAY,BACKSPACE	80009	366-1790-13
	366-1790-12		1						. PUSH BUTTON:TV GRAY,ESC	80009	366-1790-12
	366-1790-11		1						. PUSH BUTTON:TV GRAY,(TILDE OVER UP ARROW)	80009	366-1790-11
	366-1712-23		1						. PUSH BUTTON:LT GRAY,Q	01963	028-6692
	366-1712-24		1						. PUSH BUTTON:LT GRAY,W	01963	028-6693
	366-1712-25		1						. PUSH BUTTON:LT GRAY,E	01963	028-6694
	366-1712-26		1						. PUSH BUTTON:LT GRAY,R	01963	028-6695
	366-1712-27		1						. PUSH BUTTON:LT GRAY,T	01963	028-6696
	366-1712-28		1						. PUSH BUTTON:LT GRAY,Y	01963	028-6697
	366-1712-29		1						. PUSH BUTTON:LT GRAY,U	01963	028-6698
	366-1712-30		1						. PUSH BUTTON:LT GRAY,I	01963	028-6699
	366-1712-31		1						. PUSH BUTTON:LT GRAY,O	01963	028-6700
	366-1712-32		1						. PUSH BUTTON:LT GRAY,P	01963	028-6701
	366-1790-10		1						. PUSH BUTTON:TEK TAN,OPEN SINGLE QUOTE OVER @	80009	366-1790-10
	366-1790-09		1						. PUSH BUTTON:TV GRAY,LF	80009	366-1790-09
	366-1790-08		1						. PUSH BUTTON:TV GRAY,RETURN	80009	366-1790-08
	366-1790-07		1						. PUSH BUTTON:TV GRAY,TAB	80009	366-1790-07
	366-1712-41		1						. PUSH BUTTON:DK GRAY,CRTL	01963	028-306
	366-1712-42		1						. PUSH BUTTON:LT GRAY,A	01963	028-6703
	366-1712-43		1						. PUSH BUTTON:LT GRAY,S	01963	028-6704
	366-1712-44		1						. PUSH BUTTON:LT GRAY,D	01963	028-6705
	366-1712-45		1						. PUSH BUTTON:LT GRAY,F	01963	028-6706
	366-1712-46		1						. PUSH BUTTON:LT GRAY,G	01963	028-6707

REPLACEABLE MECHANICAL PARTS

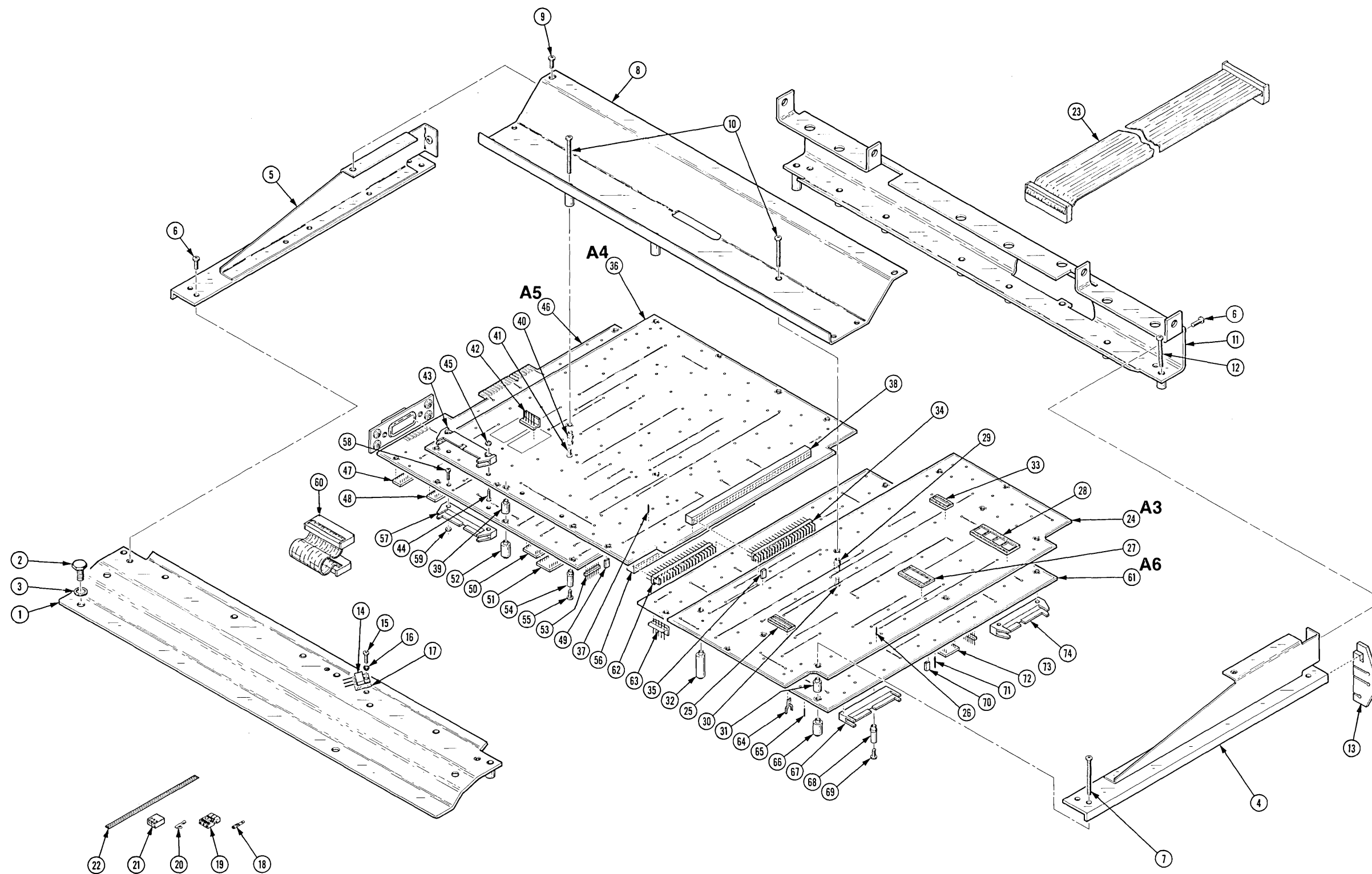
Fig. & Index No.	Tektronix Part No.	Serial/Model No. Eff Dscont	Qty	1	2	3	4	5	Name & Description	Mfr Code	Mfr Part Number
2-	366-1712-47		1	.					PUSH BUTTON:LT GRAY,H	01963	028-6708
	366-1712-48		1	.					PUSH BUTTON:LT GRAY,J	01963	028-6709
	366-1712-49		1	.					PUSH BUTTON:LT GRAY,K	01963	028-6710
	366-1712-50		1	.					PUSH BUTTON:LT GRAY,L	01963	028-6711
	366-1790-06		1	.					PUSH BUTTON:TEK TAN,+;/	80009	366-1790-06
	366-1790-05		1	.					PUSH BUTTON:TV GRAY,(VERT LINE OVER BACKSLASH)	80009	366-1790-05
	366-1790-04		1	.					PUSH BUTTON:TV GRAY,(UNDERScore OVER RUBOUT)	80009	366-1790-04
-94	366-1790-03		1	.					PUSH BUTTON:TV GRAY,TTY LOCK	80009	366-1790-03
	366-1712-59		1	.					PUSH BUTTON:DK GRAY,SHIFT	01963	028-0717
	366-1712-60		1	.					PUSH BUTTON:LT GRAY,Z	01963	028-6713
	366-1712-61		1	.					PUSH BUTTON:LT GRAY,X	01963	028-6714
	366-1712-62		1	.					PUSH BUTTON:LT GRAY,C	01963	028-6715
	366-1712-63		1	.					PUSH BUTTON:LT GRAY,V	01963	028-6716
	366-1712-64		1	.					PUSH BUTTON:LT GRAY,B	01963	028-6717
	366-1712-65		1	.					PUSH BUTTON:LT GRAY,N	01963	028-6718
	366-1712-66		1	.					PUSH BUTTON:LT GRAY,M	01963	028-6719
	366-1712-67		1	.					PUSH BUTTON:LT GRAY,</	01963	028-6720
	366-1712-68		1	.					PUSH BUTTON:LT GRAY,>/	01963	028-6721
	366-1712-69		1	.					PUSH BUTTON:LT GRAY,?//	80009	366-1712-69
	366-1790-00		1	.					PUSH BUTTON:GOLD,BREAK	80009	366-1790-00
	366-1790-23		1	.					PUSH BUTTON:TV GRAY,(80009	366-1790-23
	366-1790-24		1	.					PUSH BUTTON:TEK TAN,ENTER EXP	80009	366-1790-24
	366-1790-23		1	.					PUSH BUTTON:TV GRAY,)	80009	366-1790-23
	366-1790-26		1	.					PUSH BUTTON:TV GRAY,UP ARROW	80009	366-1790-26
	366-1790-27		1	.					PUSH BUTTON:TEK TAN,7	80009	366-1790-27
	366-1790-28		1	.					PUSH BUTTON:TEK TAN,8	80009	366-1790-28
	366-1790-29		1	.					PUSH BUTTON:TEK TAN,9	80009	366-1790-29
	366-1790-30		1	.					PUSH BUTTON:TV GRAY,/	80009	366-1790-30
	366-1790-41		1	.					PUSH BUTTON:TEK TAN,4	80009	366-1790-41
	366-1790-40		1	.					PUSH BUTTON:TEK TAN,5	80009	366-1790-40
	366-1790-29		1	.					PUSH BUTTON:TEK TAN,6	80009	366-1790-29
	366-1790-38		1	.					PUSH BUTTON:TV GRAY,*	80009	366-1790-38
	366-1790-37		1	.					PUSH BUTTON:TEK TAN,1	80009	366-1790-37
	366-1790-36		1	.					PUSH BUTTON:TEK TAN,2	80009	366-1790-36
	366-1790-35		1	.					PUSH BUTTON:TEK TAN,3	80009	366-1790-35
	366-1790-34		1	.					PUSH BUTTON:TV GRAY,-	80009	366-1790-34
	366-1790-33		1	.					PUSH BUTTON:TEK TAN,0	80009	366-1790-33
	366-1790-32		1	.					PUSH BUTTON:TEK TAN,.	80009	366-1790-32
	366-1790-31		1	.					PUSH BUTTON:TV GRAY,+	80009	366-1790-31
-95	366-1502-00		10						PUSH BUTTON:BLANK,LIGHT GRAY	80009	366-1502-00
-96	366-1671-00		10						PUSH BUTTON:BLANK,DARK GRAY	80009	366-1671-00
	198-4109-00		1						WIRE SET,ELEC:	80009	198-4109-00
-97	343-0298-00		1						CLAMP,LOOP:PLASTIC,W/ADHESIVE BACK	95987	HPC25
-98	407-1463-01		1						BRACKET,ANGLE:HIGH VOLTAGE XFMR,ALUMINUM (ATTACHING PARTS)	80009	407-1463-01
-99	211-0008-00		2						SCREW,MACHINE:4-40 X 0.25 INCH,PNH STL	83385	OBD
-100	210-0054-00		2						WASHER,LOCK:SPLIT,0.118 ID X 0.212"OD STL	83385	OBD
-101	-----		2						RESISTOR,VAR:(SEE R5003,R5004 EPL) (ATTACHING PARTS)		
-102	210-0465-00		2						NUT,PLAIN,HEX.:0.25-32 X 0.375 INCH BRS	73743	3095-402
-103	210-0011-00		2						WASHER,LOCK:INTL,0.062 ID X 0.253 OD,STL	78189	1214-00-00-0541C
-104	366-1814-00		2						KNOB:0.127 ID X 1.05 OD X 0.297	80009	366-1814-00
	175-2662-00		1						CA ASSY,SP,ELEC:4,26 AWG,7.0 L	80009	175-2662-00
-105	131-0707-00		10						CONNECTOR,TERM.:22-26 AWG,BRS& CU BE GOLD	22526	47439
	131-0965-00		3						CONTACT,ELEC:0.25" SQ,22-26 AWG WIRE	22526	47792
-106	352-0176-00		1						CONN BODY,PL,EL:4 WIRE,DBL ROW BLACK	80009	352-0176-00
-107	175-0827-00		AR						CABLE,SP,ELEC:4,26 AWG,STRD,PVC JKT,RBN	08261	SS04267(1061)0C

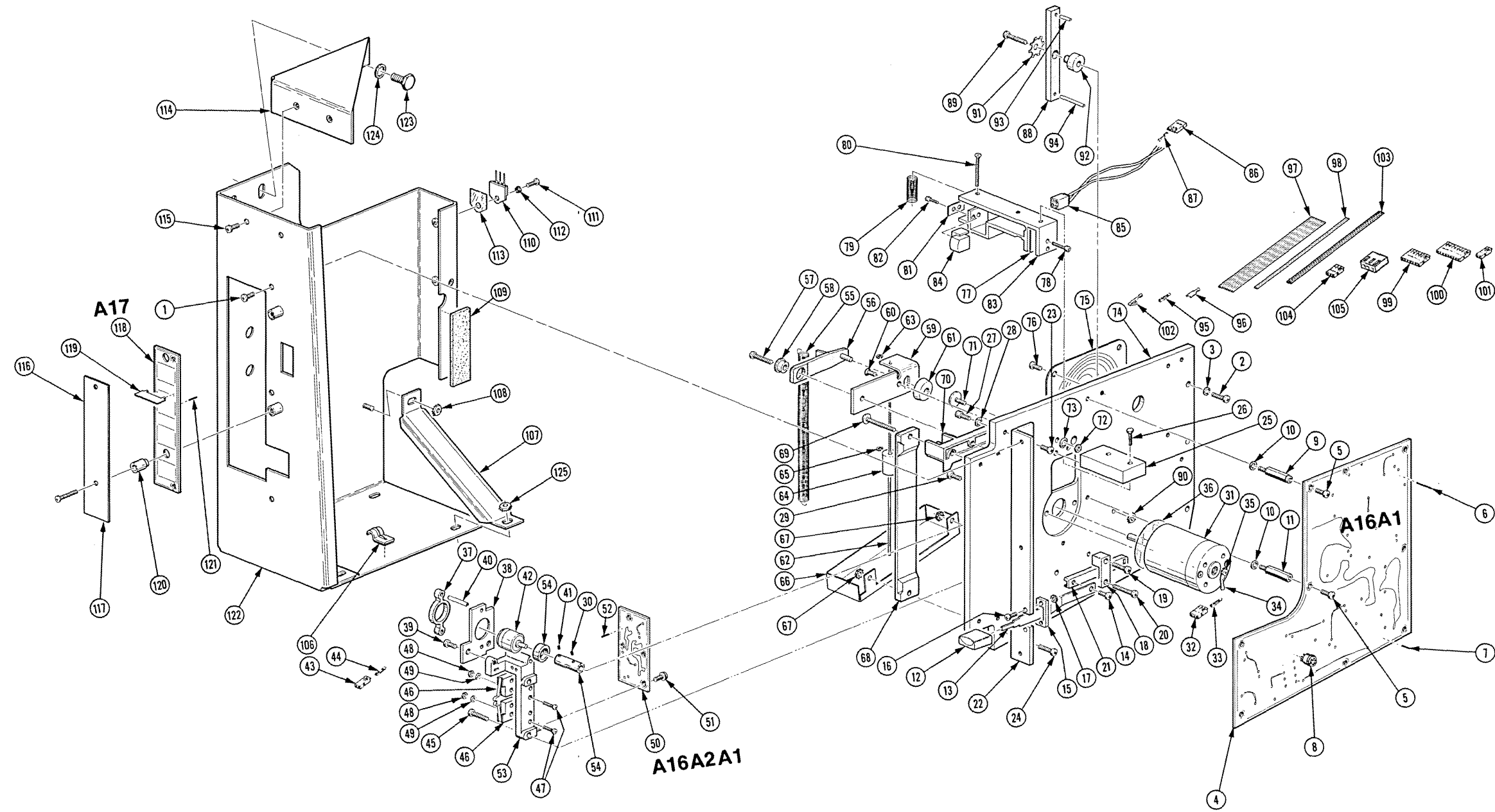
REPLACEABLE MECHANICAL PARTS

Fig. & Index No.	Tektronix Part No.	Serial/Model No. Eff Dscont	Qty	1	2	3	4	5	Name & Description	Mfr Code	Mfr Part Number
3-1	386-4159-00		1						SUPPORT,CKT BD:FRONT,AL (ATTACHING PARTS)	80009	386-4159-00
-2	213-0001-00		2						SCREW,CAP,SCH:0.25-20 X 0.50 INCH LONG STL	000AH	OBD
-3	210-0016-00		2						WASHER,LOCK:SPLIT,0.259 ID X 0.489 OD,STL	77339	6507
									- - - * - - -		
-4	386-4162-02		1						SUPPORT,CKT BD:LEFT,AL	80009	386-4162-02
-5	386-4162-01		1						SUPPORT,CKT BD:RIGHT,AL (ATTACHING PARTS)	80009	386-4162-01
-6	211-0510-00		6						SCREW,MACHINE:6-32 X 0.375 INCH,PNH STL	83385	OBD
-7	211-0553-00		7						SCREW,MACHINE:6-32 X 1.5 INCH,PNH STL	83385	OBD
									- - - * - - -		
-8	386-4315-00		1						SUPPORT,CKT BD:AL (ATTACHING PARTS)	80009	386-4315-00
-9	211-0510-00		6						SCREW,MACHINE:6-32 X 0.375 INCH,PNH STL	83385	OBD
-10	211-0553-00		2						SCREW,MACHINE:6-32 X 1.5 INCH,PNH STL	83385	OBD
-10.1	211-0559-00		1						SCREW,MACHINE:6-32 X 0.375"100 DEG,FLH STL	83385	OBD
									- - - * - - -		
-11	386-4158-00		1						SUPPORT,CKT BD:REAR,AL (ATTACHING PARTS)	80009	386-4158-00
-12	211-0553-00		7						SCREW,MACHINE:6-32 X 1.5 INCH,PNH STL	83385	OBD
									- - - * - - -		
-13	386-4316-00		2						SUPPORT,CKT BD:EDGE,POLYCARBONATE	80009	386-4316-00
-14	-----		2						TRANSISTOR:(SEE Q5001,Q5002 EPL) (ATTACHING PARTS)		
-15	211-0012-00		2						SCREW,MACHINE:4-40 X 0.375,PNH STL CD PL	83385	OBD
-16	210-1171-00		2						WSHR,SHOULDERED:0.116 ID X 0.138 INCH OD	52905	A7148516P2
									- - - * - - -		
-17	342-0202-00		2						INSULATOR,PLATE:TRANSISTOR	01295	10-21-023-106
	175-2665-00		1						CA ASSY,SP,ELEC:3,22 AWG,9.0L	80009	175-2665-00
	-----		-						(Q5002 TO J118 ON I/O BOARD)		
-18	131-0621-00		3						. CONNECTOR,TERM:22-26 AWG,BRS& CU BE GOLD	22526	46231
-19	352-0199-08		1						. HLD,TERM CONN:3 WIRE GRAY	80009	352-0199-08
-20	131-1815-00		3						. CONTACT,ELEC:22-30 AWG,FEMALE,BRASS	27264	08-56-0110
-21	204-0678-00		1						. CONN BODY,PL,EL:FOR 3 FEMALE CONTACTS	27264	10-17-2032
-22	175-0862-00		AR						. WIRE,ELECTRICAL:3 WIRE RIBBON	08261	SS-0322-1910610C
	175-2669-00		1						CA ASSY,SP,ELEC:3,22 AWG,9.0 L	80009	175-2669-00
	-----		-						(Q5001 TO J117 ON I/O BOARD)		
	131-0621-00		3						. CONNECTOR,TERM:22-26 AWG,BRS& CU BE GOLD	22526	46231
	352-0199-07		1						. HLD,TERM CONN:3 WIRE VIOLET	80009	352-0199-07
	131-1815-00		3						. CONTACT,ELEC:22-30 AWG,FEMALE,BRASS	27264	08-56-0110
	204-0678-00		1						. CONN BODY,PL,EL:FOR 3 FEMALE CONTACTS	27264	10-17-2032
	175-0862-00		AR						. WIRE,ELECTRICAL:3 WIRE RIBBON	08261	SS-0322-1910610C
-23	175-2702-00		2						CA ASSY,SP,ELEC:40,28 AWG,24.5 L	80009	175-2702-00
	175-2701-00		1						CA ASSY,SP,ELEC:34,28 AWG,22.5 L	80009	175-2701-00
-24	-----		1						CKT BOARD ASSY:ALU(SEE A4 EPL)		
-25	136-0634-00		1						. SOCKET,PLUG-IN:20 LEAD DIP,CKT BD MTG	82647	CS9002-20
-26	131-0608-00		50						. TERMINAL,PIN:0.365 L X 0.25 PH,BRZ,GOLD PL	22526	47357
-27	136-0578-00		7						. SOCKET,PLUG-IN:24 DIP,LOW PROFILE	73803	CS9002-24
-28	136-0623-00		4						. SOCKET,PLUG-IN:40 DIP,LOW PROFILE	73803	CS9002-40
-29	129-0753-00		1						. SPACER,POST:0.413 L,W/6-32 THRU THD (ATTACHING PARTS)	80009	129-0753-00
-30	200-2486-00		1						. CAP.,INSULATING:0.178 OD,BLACK,VINYL	15819	187-4 TRIMLINE
									- - - * - - -		
-31	361-0562-00		5						. SPACER,SLEEVE:0.156 ID X 0.25 OD X 0.375	80009	361-0562-00
-32	129-0750-00		2						. SPACER,POST:1.073 L,W/6-32 THD EA END	80009	129-0750-00
-33	136-0260-02		3						. SOCKET,PLUG-IN:16 CONTACT,LOW CLEARANCE	82647	C9316-18
-34	131-1844-00		2						. CONN,RCPT,ELEC:CKT CARD,2/21 CONT	00779	2-86415-4
-35	131-0993-00		1						. BUS,CONDUCTOR:2 WIRE BLACK	00779	530153-2
-36	-----		1						CKT BOARD ASSY:MCP(SEE A5 EPL)		
-37	131-0608-00		79						. TERMINAL,PIN:0.365 L X 0.25 PH,BRZ,GOLD PL	22526	47357
-38	131-1717-01		1						. CONN,RCPT,ELEC:CKT BD,2 X 42,FEMALE	00779	3-86018-4
-39	361-0562-00		8						. SPACER,SLEEVE:0.156 ID X 0.25 OD X 0.375	80009	361-0562-00
-40	129-0753-00		2						. SPACER,POST:0.413 L,W/6-32 THRU THD (ATTACHING PARTS)	80009	129-0753-00
-41	211-0558-00		2						. SCREW,MACHINE:6-32 X 0.250 BDGH,NYL,SLOT	26365	921-1150-0014
									- - - * - - -		

REPLACEABLE MECHANICAL PARTS

Fig. & Index No.	Tektronix Part No.	Serial/Model No. Eff Dscont	Qty	1	2	3	4	5	Name & Description	Mfr Code	Mfr Part Number
3-42	131-2250-00		2	.					CONN,RCPT,ELEC:CKT BD,5 MALE	27264	09-61-1053
-43	131-1465-00		2	.					CONNECTOR,RCPT,:34 RT ANGEL CONT (ATTACHING PARTS)	20999	3431-1002
-44	211-0159-00		4	.					SCREW,MACHINE:2-56 X 0.375 INCH,PNH STL	87308	OBD
-45	210-0405-00		4	.					NUT,PLAIN,HEX.:2-56 X 0.188 INCH,BRS - - - * - - -	73743	2X12157-402
-46	-----		1						CKT BOARD ASSY:MAS(SEE A6 EPL)		
-47	136-0634-00		2	.					SOCKET,PLUG-IN:20 LEAD DIP,CKT BD MTG	82647	CS9002-20
-48	136-0260-02		19	.					SOCKET,PLUG-IN:16 CONTACT,LOW CLEARANCE	82647	C9316-18
-49	131-0993-00		3	.					BUS,CONDUCTOR:2 WIRE BLACK	00779	530153-2
-50	136-0694-00		2	.					SKT,PL-IN ELEK:MICROCIRCUIT,28 CONTACT	73803	CS9002-28
-51	136-0578-00		8	.					SOCKET,PLUG-IN:24 DIP,LOW PROFILE	73803	CS9002-24
-52	129-0747-00		8	.					SPACER,POST:0.633 L,W/6-32 THRU THD	80009	129-0747-00
-53	131-1857-00		2	.					TERM. SET,PIN:36/0.025 SQ PIN,ON 0.1 CTRS	22526	65500136
-54	129-0435-00		2	.					SPACER,POST:0.625 L,W-6-32 THD THRU,BRS (ATTACHING PARTS)	80009	129-0435-00
-55	211-0558-00		2	.					SCREW,MACHINE:6-32 X 0.250 BDGH,NYL,SLOT - - - * - - -	26365	921-1150-0014
-56	131-1717-01		1	.					CONN,RCPT,ELEC:CKT BD,2 X 42,FEMALE	00779	3-86018-4
-57	131-1465-00		2	.					CONNECTOR,RCPT,:34 RT ANGEL CONT (ATTACHING PARTS)	20999	3431-1002
-58	211-0159-00		4	.					SCREW,MACHINE:2-56 X 0.375 INCH,PNH STL	87308	OBD
-59	210-0405-00		4	.					NUT,PLAIN,HEX.:2-56 X 0.188 INCH,BRS - - - * - - -	73743	2X12157-402
-60	175-2700-00		2						CA ASSY,SP,ELEC:34,28 AWG,3.5 L	80009	175-2700-00
-61	-----		1						CKT BOARD ASSY:I/O(SEE A7 EPL)		
-62	131-1844-00		2	.					CONN,RCPT,ELEC:CKT CARD,2/21 CONT	00779	2-86415-4
-63	131-2250-00		1	.					CONN,RCPT,ELEC:CKT BOARD,5 MALE	80009	131-2250-00
-64	344-0154-00		4	.					CLIP,ELECTRICAL:FUSE,CKT BD MT	80009	344-0154-00
-65	131-0608-00		1	.					TERMINAL,PIN:0.365 L X 0.25 PH,BRZ,GOLD PL	22526	47357
-66	129-0747-00		6	.					SPACER,POST:0.633 L,W/6-32 THRU THD	80009	129-0747-00
-67	131-2215-01		2	.					CONN,RCPT,ELEC:CKT BD,4 CONT,MALE (ATTACHING PARTS)	75037	3495-1002
	211-0159-00		4	.					SCREW,MACHINE:2-56 X 0.375 INCH,PNH STL	87308	OBD
	210-0405-00		4	.					NUT,PLAIN,HEX.:2-56 X 0.188 INCH,BRS - - - * - - -	73743	2X12157-402
-68	129-0435-00		1	.					SPACER,POST:0.625 L,W-6-32 THD THRU,BRS (ATTACHING PARTS)	80009	129-0435-00
-69	211-0558-00		1	.					SCREW,MACHINE:6-32 X 0.250 BDGH,NYL,SLOT - - - * - - -	26365	921-1150-0014
-70	131-0993-00		1	.					BUS,CONDUCTOR:2 WIRE BLACK	00779	530153-2
-71	131-0589-00		15	.					TERM,PIN:0.46 L X 0.025 SQ.PH BRZ GL	22526	47350
-72	136-0623-00		3	.					SOCKET,PLUG-IN:40 DIP,LOW PROFILE	73803	CS9002-40
-73	131-1857-00		1	.					TERM. SET,PIN:36/0.025 SQ PIN,ON 0.1 CTRS	22526	65500136
-74	131-1465-00		2	.					CONNECTOR,RCPT,:34 RT ANGEL CONT (ATTACHING PARTS)	20999	3431-1002
	211-0159-00		4	.					SCREW,MACHINE:2-56 X 0.375 INCH,PNH STL	87308	OBD
	210-0405-00		4	.					NUT,PLAIN,HEX.:2-56 X 0.188 INCH,BRS - - - * - - -	73743	2X12157-402





REPLACEABLE MECHANICAL PARTS

Fig. & Index No.	Tektronix Part No.	Serial/Model No. Eff Dscont	Qty	1	2	3	4	5	Name & Description	Mfr Code	Mfr Part Number
4-	119-0708-03		1						DRIVE,MAG TAPE:CALCULATOR (ATTACHING PARTS)	80009	119-0708-03
-1	211-0511-00		1						SCREW,MACHINE:6-32 X 0.500,PNH,STL,CD PL	83385	OBD
-2	211-0507-00		3						SCREW,MACHINE:6-32 X 0.312 INCH,PNH STL	83385	OBD
-3	210-0458-00		3						NUT,PLAIN,EXT W:8-32 X 0.344 INCH,STL	83385	OBD
									- - - * - - -		
-4	-----		1						. CKT BOARD ASSY:TAPE DRIVER(SEE A16A1 EPL) (ATTACHING PARTS)		
-5	211-0507-00		8						. SCREW,MACHINE:6-32 X 0.312 INCH,PNH STL	83385	OBD
									- - - * - - -		
-6	131-0589-00		12						. . TERM,PIN:0.46 L X 0.025 SQ.PH BRZ GL	22526	47350
-7	131-0608-00		60						. . TERMINAL,PIN:0.365 L X 0.25 PH,BRZ,GOLD PL	22526	47357
-8	136-0237-00		2						. . SOCKET,PLUG-IN:8 CONTACT,ROUND	71785	133-98-12-062
-9	129-0539-00		7						POST,ELEC-MECH:6-32 THD EXT/INT,1.250 L	80009	129-0539-00
-10	210-0055-00		3						WASHER,LOCK:SPLIT,0.145 ID X 0.253 OD,STL	83385	OBD
-11	129-0295-00		1						SPACER,POST:0.250 HEX X 0.894 INCH L,AL	80009	129-0295-00
-12	366-1629-01		1						PUSH BUTTON:GRAY,EJECT	80009	366-1629-01
-13	214-2316-00		1						LVR,CRTG EJECT:4.875 L,ALUMINUM (ATTACHING PARTS)	80009	214-2316-00
-14	213-0054-00		1						SCR,TPG,THD FOR:6-32 X 0.312 INCH,PNH STL	93907	OBD
									- - - * - - -		
-15	351-0455-00		1						GUIDE,LEVER:EJECT (ATTACHING PARTS)	80009	351-0455-00
-16	211-0012-00		2						SCREW,MACHINE:4-40 X 0.375,PNH STL CD PL	83385	OBD
-17	210-0586-00		2						NUT,PLAIN,EXT W:4-40 X 0.25 INCH,STL	78189	211-041800-00
									- - - * - - -		
-18	391-0139-00		2						BLOCK,GUIDE:CARTRIDGE EJECT (ATTACHING PARTS)	80009	391-0139-00
-19	211-0513-00		2						SCREW,MACHINE:6-32 X 0.625 INCH,PNH STL	83385	OBD
-20	211-0516-00		2						SCREW,MACHINE:6-32 X 0.875 INCH,PNH STL	83385	OBD
									- - - * - - -		
-21	381-0365-00		2						BAR,CRTG EJECT:DELTRIN	80009	381-0365-00
-22	407-1697-00		1						BRACKET,ANGLE:TAPE DECK,ALUMINUM (ATTACHING PARTS)	80009	407-1697-00
-23	211-0510-00		1						SCREW,MACHINE:6-32 X 0.375 INCH,PNH STL	83385	OBD
-24	211-0513-00		1						SCREW,MACHINE:6-32 X 0.625 INCH,PNH STL	83385	OBD
									- - - * - - -		
-25	391-0144-01		1						BLOCK,SUPPORT:HEAD ALIGNMENT (ATTACHING PARTS)	80009	391-0144-01
-26	211-0588-00		2						SCREW,MACHINE:6-32 X 0.75 INCH,HEX.HD STL	83385	OBD
-27	211-0564-00		2						SCREW,CAP,SCH:6-32 X 0.375" L HEX	80009	211-0564-00
-28	210-0803-00		2						WASHER,FLAT:0.15 ID X 0.032 THK,STL CD PL	12327	OBD
									- - - * - - -		
	147-0046-01		1						MOTOR,DC:TAPE DRIVE,12V (ATTACHING PARTS)	80009	147-0046-01
-29	211-0507-00		2						SCREW,MACHINE:6-32 X 0.312 INCH,PNH STL	83385	OBD
-30	213-0228-01		1						SETSCREW:6-32 X 0.125,STL,CD PL,HEX	02615	OBD
									- - - * - - -		
-31	147-0046-00		1						MOTOR,DC:TAPE DRIVE,12V	80009	147-0046-00
-32	352-0161-05		1						CONN BODY,PL,EL:3 WIRE GREEN	80009	352-0161-05
-33	131-0707-00		3						CONNECTOR,TERM.:22-26 AWG,BRS& CU BE GOLD	22526	47439
-34	210-0203-00		1						TERMINAL,LUG:SE #6 (ATTACHING PARTS)	78189	2103-06-00-2520N
-35	213-0124-00		1						SCR,TPG,THD FOR:6-20 X 0.250 INCH,PNH STL	83385	OBD
									- - - * - - -		
	-----		2						. . CAP.,FXD,CER DI:(SEE C1091,C1092 EPL)		
-36	361-0747-00		1						SPACER,PLATE:0.562 ID X 0.02 THK	80009	361-0747-00
-37	352-0424-00		1						HOLDER,TACH:SILICONE RUBBER	80009	352-0424-00
-38	386-3369-01		1						PLATE,TACH: (ATTACHING PARTS)	80009	386-3369-01
-39	211-0507-00		2						SCREW,MACHINE:6-32 X 0.312 INCH,PNH STL	83385	OBD
									- - - * - - -		
-40	214-1474-00		2						. . PIN,SPRING:0.75 L X 0.135 OD,CS BLACK	22599	59-028-12-0750
	147-0045-01		1						MOTOR,DC:6V,17,000 RPM (ATTACHING PARTS)	80009	147-0045-01
-41	213-0228-01		1						SETSCREW:6-32 X 0.125,STL,CD PL,HEX	02615	OBD
									- - - * - - -		

REPLACEABLE MECHANICAL PARTS

Fig. & Index No.	Tektronix Part No.	Serial/Model No. Eff Dscont	Qty	1	2	3	4	5	Name & Description	Mfr Code	Mfr Part Number
4-42	147-0045-00		1	MOTOR,DC:6V,17,000 RPM	50778	16C14-207-9
-43	352-0169-04		1	CONN BODY,PL,EL:2 WIRE YELLOW	80009	352-0169-04
	-----		1	CKT BOARD ASSY:STATUS W/MICROSW(SEE A16A2 EPL) (ATTACHING PARTS)		
-45	211-0513-00		2	SCREW,MACHINE:6-32 X 0.625 INCH,PNH STL	83385	OBD
	-----		2	SWITCH,PUSH:(SEE S1,S2 EPL) (ATTACHING PARTS)		
-47	211-0034-00		4	SCREW,MACHINE:2-56 X 0.50 INCH,PNH	83385	OBD
-48	210-0405-00		4	NUT,PLAIN,HEX.:2-56 X 0.188 INCH,BRS	73743	2X12157-402
-49	210-0001-00		4	WASHER,LOCK:INTL,0.092 ID X 0.18"OD,STL	78189	1202-00-00-0541C
	-----		1	CKT BOARD ASSY:STATUS(SEE A16A2A1 EPL) (ATTACHING PARTS)		
-51	211-0601-00		2	SCR,ASSEM WSHR:6-32 X 0.312,DOUBLE SEMS	83385	OBD
	-----		8	TERMINAL,PIN:0.365 L X 0.25 PH,BRZ,GOLD	PL22526	47357
-53	-----		1	BRKT,SENSOR MTG:POLYCARBONATE		
-54	401-0342-01		1	HUB,TAPE DRIVE:W/0.645 DIA HYPALON WHEEL	80009	401-0342-01
-54.1	214-2419-00		1	PIN,SPRING:0.5 L X 0.188OD,AL	80009	214-2419-00
-55	214-2261-00		1	SPRING,HLCPS:0.035 DIA,5.5 L MUSIC WIRE	80009	214-2261-00
-56	214-2264-00		2	ARM,DETENT:TAPE POSITIONING (ATTACHING PARTS)	80009	214-2264-00
-57	211-0514-00		2	SCREW,MACHINE:6-32 X 0.750 INCH,PNH STL	83385	OBD
-58	343-0551-00		2	RTNR,DETENT ARM:0.14 ID X 0.373 OD,AL	80009	343-0551-00
	-----		1	GUIDE,TAPE CRTG:TOP LEFT (ATTACHING PARTS)	80009	351-0451-00
-60	211-0522-00		1	SCREW,MACHINE:6-32 X 0.625 FLH,100 DEG ST	83385	OBD
	351-0462-00		1	GUIDE,TAPE CRTG:TOP RIGHT (ATTACHING PARTS)	80009	351-0462-00
	211-0522-00		1	SCREW,MACHINE:6-32 X 0.625 FLH,100 DEG ST	83385	OBD
	-----		2	WHEEL,DETENT:0.187 ID X 0.6 OD,SST	80009	214-2263-00
-62	384-1383-00		1	SHAFT,HOLDDOWN:0.093 DIA X 7.66 L,STL (ATTACHING PARTS)	80009	384-1383-00
-63	354-0350-00		2	RING,RETAINING:0.073"FREE ID X 0.015",STL	79136	5133-9MD
-64	401-0349-00		1	ROLLER,HOLDDOWN:0.50 DIA X 0.75 L,NYLON (ATTACHING PARTS)	80009	401-0349-00
-65	354-0554-00		2	RING,RETAINING:EXT LUG GRIPPING,0.094 D	79136	G5555-9
-66	337-2260-00		1	SHIELD:TRAY,SAFETY (ATTACHING PARTS)	80009	337-2260-00
-67	210-0457-00		2	NUT,PLAIN,EXT W:6-32 X 0.312 INCH,STL	83385	OBD
-68	351-0459-00		1	GUIDE,TAPE CRTG:ENTRANCE (ATTACHING PARTS)	80009	351-0459-00
-69	211-0545-00		2	SCREW,MACHINE:6-32 X 1.250 INCH,TRH STL	83385	OBD
-70	351-0454-00		1	GUIDE,TAPE CRTG:LEFT	80009	351-0454-00
	351-0453-00		1	GUIDE,TAPE CRTG:RIGHT	80009	351-0453-00
-71	361-0781-00		2	SPACER,PAD:W/4-40 THD (ATTACHING PARTS)	80009	361-0781-00
-72	210-0407-00		2	NUT,PLAIN,HEX.:6-32 X 0.25 INCH,BRS	73743	3038-0228-402
-73	210-0006-00		2	WASHER,LOCK:#6 INTL,0.018THK,STL CD PL	78189	1206-00-00-0541C
	-----		1	PLATE,TAPE DECK:	80009	386-3368-01
-75	119-0305-00		1	LOUDSPEAKER,PM:PERMANENT MAGNET,45 OHM,2W (ATTACHING PARTS)	07109	35A45C
-76	211-0507-00		4	SCREW,MACHINE:6-32 X 0.312 INCH,PNH STL	83385	OBD
	-----		1	PLATE,PROT:HEAD ALIGNMENT (ATTACHING PARTS)	80009	386-3554-00
-78	211-0164-00		1	SCREW,CAP,SCH:4-40 X 0.625 INCH,L STL	83385	OBD
	211-0093-00		1	SCR,CAP,SOC HD:4-40 X 0.75 INCH L,STL	000BK	OBD

REPLACEABLE MECHANICAL PARTS

Fig. & Index No.	Tektronix Part No.	Serial/Model No. Eff Dscont	Qty	1	2	3	4	5	Name & Description	Mfr Code	Mfr Part Number
4-79	214-2430-00		1	.					SPRING,HLCPS:0.375 OD X 1.5 L,OPEN ENDS (ATTACHING PARTS)	000AE	C36C
-80	211-0248-00		1	.					SCREW,CAP,SCH:4-40 X 1.25 FLH,82 DEG,STL - - - * - - -	000AH	OBD
-81	386-2823-00		1	.					PL,MTG,TAPE HD: (ATTACHING PARTS)	80009	386-2823-00
-82	211-0206-00		2	.					SCR,CAP,SOC HD:2-56 X 0.312 INCH,STL - - - * - - -	000AH	OBD
-83	352-0450-01		1	.					HLDR,HEAD ALIGN:ALUMINUM	80009	352-0450-01
-84	119-0421-00		1	.					HEAD,SRR:	80009	119-0421-00
	119-0421-03		1	.					HEAD,SPR:	80009	119-0421-03
-85	119-0421-01		1	.					HEAD,SRR CABLE:	11983	139077
-86	352-0161-08		1	.					CONN BODY,PL,EL:3 WIRE GRAY	80009	352-0161-08
	352-0161-09		1	.					CONN BODY,PL,EL:3 WIRE WHITE	80009	352-0161-09
-87	131-0707-00		6	.					CONNECTOR,TERM.:22-26 AWG,BRS& CU BE GOLD	22526	47439
-88	214-2319-00		1	.					BAR,PIVOT:CARTRIDGE EJECT (ATTACHING PARTS)	80009	214-2319-00
-89	211-0517-00		1	.					SCREW,MACHINE:6-32 X 1 INCH,PNH,STL	83385	OBD
-90	210-0457-00		1	.					NUT,PLAIN,EXT W:6-32 X 0.312 INCH,STL	83385	OBD
-91	210-1252-00		1	.					WASHER,SPR TNSN:0.146 ID X 0.008 THK	78189	3522-06-01
-92	214-2320-00		1	.					PVT,CRTG EJCTR:0.5 DIA,DELRIN - - - * - - -	80009	214-2320-00
-93	214-2351-00		1	.					PIN,SPRING:0.375" L X 0.101" OD,STL	22599	52-022-094-0375
-94	214-1534-00		1	.					PIN,RETAINING:1.25 L X 0.103 OD	22599	59-022-094-1250
	198-0725-00		1	.					WIRE SET,ELEC:	80009	198-0725-00
-95	131-0707-00		20	.					CONNECTOR,TERM.:22-26 AWG,BRS& CU BE GOLD	22526	47439
-96	131-0861-00		2	.					TERM,QIK DISC:16-20 AWG,0.22 W X 0.02 THK	00779	42617-2
-97	175-0832-00		AR	.					WIRE,ELECTRICAL:9 WIRE RIBBON	08261	SS-0926(1061)0C
-98	175-0863-00		AR	.					WIRE,ELECTRICAL:2 WIRE RIBBON	08261	SS-0222-1910610C
-99	352-0165-00		1	.					CONN BODY,PL,EL:7 WIRE BLACK	80009	352-0165-00
-100	352-0167-07		1	.					CONN BODY,PL,EL:9 WIRE VIOLET	80009	352-0167-07
-101	352-0169-00		1	.					HLDR,TERM CONN:2 WIRE BLACK	80009	352-0169-00
	352-0169-01		1	.					HLDR TERM CONN:2 WIRE,BROWN	80009	352-0169-01
	175-2667-00		1	CA					ASSY,SP,ELEC:3,22 AWG,5.0 L(TO Q1091)	80009	175-2667-00
	131-0707-00		3	.					CONNECTOR,TERM.:22-26 AWG,BRS& CU BE GOLD	22526	47439
-102	131-1918-00		3	.					CONTACT,ELEC:22-26 AWG WIRE,CRIMP ON,BRS	27264	08-56-0107
-103	175-0862-00		AR	.					WIRE,ELECTRICAL:3 WIRE RIBBON	08261	SS-0322-1910610C
-104	352-0161-03		1	.					CONN BODY,PL,EL:3 WIRE ORANGE	80009	352-0161-03
-105	352-0463-00		1	.					HLDR,TERM.CONN:3 FEMALE,NYLON	27264	10-01-1034
	175-2668-00		1	CA					ASSY,SP,ELEC:3,26 AWG,5.0 L(TO Q1092)	80009	175-2668-00
	131-0707-00		3	.					CONNECTOR,TERM.:22-26 AWG,BRS& CU BE GOLD	22526	47439
	131-1918-00		3	.					CONTACT,ELEC:22-26 AWG WIRE,CRIMP ON,BRS	27264	08-56-0107
	175-0862-00		AR	.					WIRE,ELECTRICAL:3 WIRE RIBBON	08261	SS-0322-1910610C
	352-0161-06		1	.					CONN BODY,PL,EL:3 WIRE BLUE	80009	352-0161-06
	352-0463-00		1	.					HLDR,TERM.CONN:3 FEMALE,NYLON	27264	10-01-1034
-106	343-0298-00		1	.					CLAMP,LOOP:PLASTIC,W/ADHESIVE BACK	95987	HPC25
-107	407-2385-00		1	.					BRACKET,CMPNT:TAPE DECK,SST (ATTACHING PARTS)	80009	407-2385-00
-108	210-0458-00		1	.					NUT,PLAIN,EXT W:8-32 X 0.344 INCH,STL - - - * - - -	83385	OBD
-109	348-0102-00		1	.					PAD,CUSHIONING:13.76 INCH LONG(CUT TO FIT)	80009	348-0102-00
-110	-----		2	.					TRANSISTOR:(SEE Q1091,Q1092 EPL) (ATTACHING PARTS)		
-111	211-0097-00		2	.					SCREW,MACHINE:4-40 X 0.312 INCH,PNH STL	83385	OBD
-112	210-1181-00		2	.					WASHER,SHLDR:1.22 ID X 0.20D - - - * - - -	31223	OBD
-113	342-0311-00		2	.					INSULATOR,PLATE:MICA,TO-3 PLSTC TRANSISTOR	01295	10-21-023-105
-114	386-4260-00		1	.					SUPPORT,BRACKET:TAPE DECK,AL (ATTACHING PARTS)	80009	386-4260-00
-115	211-0507-00		3	.					SCREW,MACHINE:6-32 X 0.312 INCH,PNH STL - - - * - - -	83385	OBD
-116	378-0064-00		1	.					FILTER,LIGHT:6.276 X 1.0,0.06 R ACRYLIC (ATTACHING PARTS)	80009	378-0064-00
-117	211-0514-00		2	.					SCREW,MACHINE:6-32 X 0.750 INCH,PNH STL - - - * - - -	83385	OBD

REPLACEABLE MECHANICAL PARTS

Fig. & Index No.	Tektronix Part No.	Serial/Model No. Eff	Dscont	Qty	1	2	3	4	5	Name & Description	Mfr Code	Mfr Part Number
4-118	-----	-----		1						CKT BOARD ASSY:INDICATOR(SEE A17 EPL)		
-119	337-2235-00			2						. SHIELD,LIGHT:CKT CD MT,1.0X 0.355 INCH	80009	337-2235-00
-120	361-0751-00			2						. SPACER,SLEEVE:0.156 ID X 0.312 OD X 0.493 L	80009	361-0751-00
-121	131-0608-00			8						. TERMINAL,PIN:0.365 L X 0.25 PH,BRZ,GOLD PL	22526	47357
-122	407-2240-00			1						BRKT,TAPE DECK:STEEL	80009	407-2240-00
										(ATTACHING PARTS)		
-123	213-0001-00			4						SCREW,CAP,SCH:0.25-20 X 0.50 INCH LONG STL	000AH	OBD
-124	210-0016-00			4						WASHER,LOCK:SPLIT,0.259 ID X 0.489 OD,STL	77339	6507
-125	210-0458-00			4						NUT,PLAIN,EXT W:8-32 X 0.344 INCH,STL	83385	OBD
										-----*		

REPLACEABLE MECHANICAL PARTS

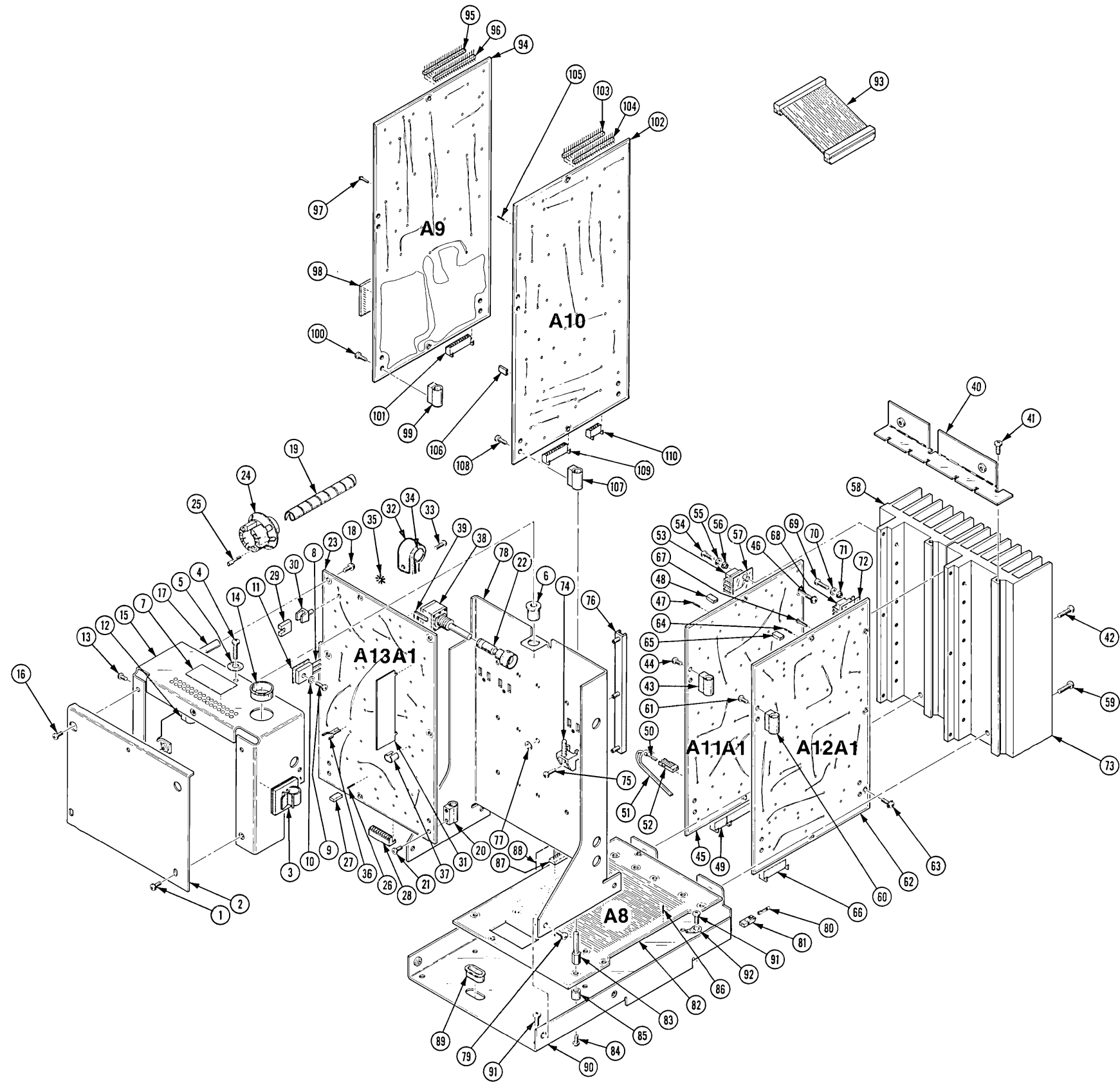
Fig. & Index No.	Tektronix Part No.	Serial/Model No. Eff Dscont	Qty	1 2 3 4 5	Name & Description	Mfr Code	Mfr Part Number
5-1	337-2466-00		1		SHIELD,ELEC:HIGH VOLTAGE (ATTACHING PARTS)	80009	337-2466-00
-2	211-0033-00		3		SCR,ASSEM WSHR:4-40 X 0.312 PNH,STL,CD PL - - - * - - -	83385	OBD
-3	343-0853-00		1		CLAMP,LOOP:0.5019 NYLON	80009	343-0853-00
	-----		1		CKT BOARD ASSY:HV & Z AXIS(SEE A13 EPL)		
-4	214-2526-00		1		. SHIELD,EXP:6-32 X 0.312 INCH,PLASTIC (ATTACHING PARTS)	00613	E632
-5	211-0511-00		1		. SCREW,MACHINE:6-32 X 0.500,PNH,STL,CD PL	83385	OBD
-6	210-0847-00		1		. WASHER,FLAT:0.164 ID X 0.500 OD,NYLON - - - * - - -	83309	OBD
-7	334-2258-00		1		. MARKER,IDENT:DANGER HI VOLT	80009	334-2258-00
-8	-----		1		. TRANSISTOR:CHASSIS MTG(SEE Q53 EPL) (ATTACHING PARTS)		
-9	211-0097-00		1		. SCREW,MACHINE:4-40 X 0.312 INCH,PNH STL	83385	OBD
-10	210-1122-00		1		. WASHER,LOCK:0.228 ID X 0.375 INCH OD,STL - - - * - - -	04713	B52200F006
-11	342-0163-00		1		. INSULATOR,PLATE:XSTR,0.675 X 0.625 X 0.001"	80009	342-0163-00
-12	351-0460-00		2		. GUIDE,CKT CARD: (ATTACHING PARTS)	80009	351-0460-00
-13	213-0138-00		4		. SCR,TPG,THD FOR:4-40 X 0.188 INCH,PNH STL - - - * - - -	83385	OBD
-14	348-0050-00		1		. GROMMET,PLASTIC:0.75 INCH DIA	80009	348-0050-00
-15	337-2465-00		1		. SHIELD,ELEC:HIGH VOLTAGE (ATTACHING PARTS)	80009	337-2465-00
-16	213-0144-00		4		. SCREW,TPG,TF:8-18 X 0.5 INCH,TRH,STL - - - * - - -	83385	OBD
-17	129-0541-00		2		. POST,ELEC-MECH:1.53" L W/4-40 THD,NYLON (ATTACHING PARTS)	80009	129-0541-00
-18	211-0033-00		2		. SCR,ASSEM WSHR:4-40 X 0.312 PNH,STL,CD PL	83385	OBD
-19	162-0579-00		FT		. INS SLV,ELEC:0.25 ID,SPL WRAP	87473	OBD
-20	351-0460-00		2		. GUIDE,CKT CARD: (ATTACHING PARTS)	80009	351-0460-00
-21	213-0138-00		4		. SCR,TPG,THD FOR:4-40 X 0.188 INCH,PNH STL - - - * - - -	83385	OBD
-22	384-1455-00		3		. EXTENSION SHAFT:1.5 L X 0.28 OD,PLASTIC	80009	384-1455-00
-23	-----		1		CKT BOARD ASSY:HV AND Z AXIS(SEE A13A1 EPL)		
	136-0741-00		1		. . . SKT,PL-IN ELEC:CRT,7 PIN,W/LEADS	80009	136-0741-00
-24	136-0278-00		1		. . . SOCKET,PLUG-IN:WITH PINS	80009	136-0278-00
-25	131-1918-00		7		. . . CONTACT,ELEC:22-26 AWG WIRE,CRIMP ON,BRS	27264	08-56-0107
	175-5021-00		AR		. . . WIRE,ELECTRICAL:STRD 24 AWG,5000VDC	90484	OBD
-26	131-0608-00		6		. . . TERMINAL,PIN:0.365 L X 0.25 PH,BRZ,GOLD PL	22526	47357
-27	131-0993-00		2		. . . BUS,CONDUCTOR:2 WIRE BLACK	00779	530153-2
-28	131-1994-00		2		. . . CONN,RCPT,ELEC:CKT BD,10 CONTACT MALE	27264	22-16-2101
-29	124-0118-00		1		. . . TERMINAL BOARD:1 NOTCH,CERAMIC,CLIP MTD	80009	124-0118-00
-30	361-0007-00		1		. . . SPACER,SLEEVE:0.250 INCH DIA,PLASTIC	80009	361-0007-00
-31	337-1456-00		1		. . . SHLD,ELECTRICAL:CKT CARD MOUNT	80009	337-1456-00
-32	343-0004-00		1		. . . CLAMP,LOOP:0.312 INCH DIAMETER,PLSTC	95987	5-16-6B
	343-0659-00		1		. . . CLAMP,LOOP:0.375 DIA,STEEL CAD PLATE (ATTACHING PARTS)	000CP	OBD
-33	211-0152-00		1		. . . SCR,ASSEM WSHR:4-40 X 0.625 INCH,PNH BRS	83385	OBD
-34	210-0863-00		1		. . . WSHR,LOOP CLAMP:FOR 0.50" WIDE CLAMP,STL	95987	C191
-35	210-0005-00		1		. . . WASHER,LOCK:EXT #6 - - - * - - -	78189	1106-00
-36	344-0154-00		2		. . . CLIP,ELECTRICAL:FUSE,CKT BD MT	80009	344-0154-00
-37	214-0973-00		1		. . . HEAT SINK,ELEC:0.28 X 0.18 OVAL X 0.187"H	80009	214-0973-00
-38	-----		3		. . . RES.,VAR:HC/INTEN/FOC(SEE R128,R429,R34 EPL)		
-39	361-0607-00		3		. . . SPACER,SWITCH:PLASTIC	80009	361-0607-00
-40	407-2267-00		1		BRACKET,ANGLE:CIRCUIT BOARD,ALUMINUM (ATTACHING PARTS)	80009	407-267-00
-41	213-0146-00		2		SCR,TPG,THD FOR:6-20 X 0.313 INCH,PNH STL - - - * - - -	83385	OBD
	-----		1		CKT BOARD ASSY:DEFLECTION AMP(SEE A11 EPL) (ATTACHING PARTS)		
-42	211-0511-00		2		SCREW,MACHINE:6-32 X 0.500,PNH,STL,CD PL - - - * - - -	83385	OBD

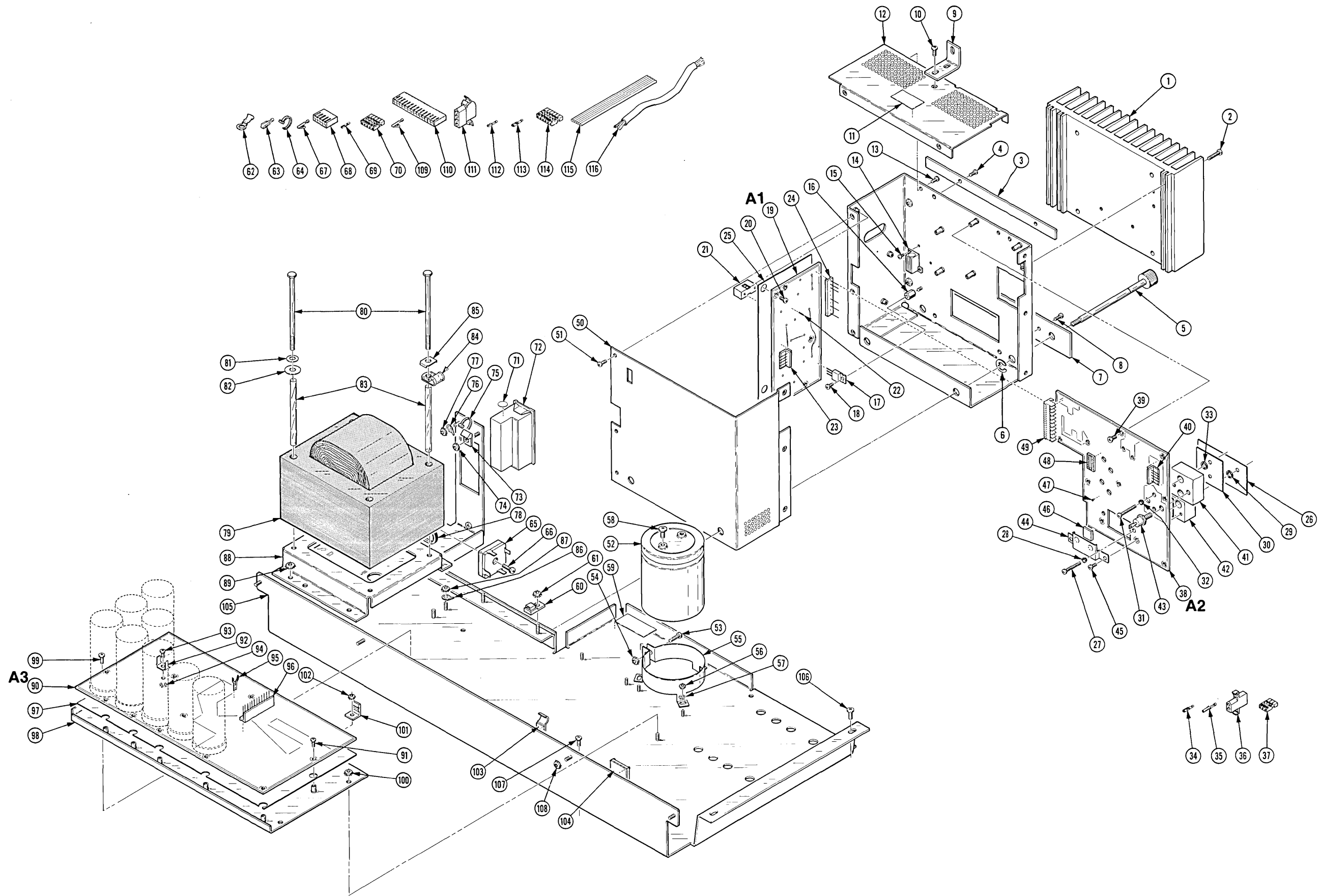
REPLACEABLE MECHANICAL PARTS

Fig. & Index No.	Tektronix Part No.	Serial/Model No. Eff Dscont	Qty	1	2	3	4	5	Name & Description	Mfr Code	Mfr Part Number
5-43	351-0460-00		-	CKT BOARD ASSY INCLUDES:		
			3	GUIDE,CKT CARD: (ATTACHING PARTS)	80009	351-0460-00
-44	211-0007-00		6	SCREW,MACHINE:4-40 X 0.188 INCH,PNH STL - - - * - - -	83385	OBD
-45			1	CKT BOARD ASSY:DEFLECTION AMP(SEE A11A1 EPL) (ATTACHING PARTS)		
-46	211-0033-00		3	SCR,ASSEM WSHR:4-40 X 0.312 PNH,STL,CD PL - - - * - - -	83385	OBD
-47	131-0589-00		13	CKT BOARD ASSY INCLUDES: TERM,PIN:0.46 L X 0.025 SQ.PH BRZ GL	22526	47350
-48	131-0993-00		1	BUS,CONDUCTOR:2 WIRE BLACK	00779	530153-2
-49	131-1994-00		2	CONN,RCPT,ELEC:CKT BD,10 CONTACT MALE	27264	22-16-2101
	131-1995-00		1	CONN,RCPT,ELEC:CKT BD,15 CONTACT MALE	27264	22-16-2151
	131-2131-00		1	CONN,RCPT,ELEC:CKT CD,5 CONT,RIGHT ANGLE	27264	22-16-2051
	198-3443-00		2	WIRE SET,ELEC: - - - * - - -	80009	198-3443-00
-50	131-0707-00		22	EACH WIRE KIT INCLUDES: CONNECTOR,TERM.:22-26 AWG,BRS& CU BE GOLD	22526	47439
	131-0708-00		2	CONTACT,ELEC:0.48"L,28-32 AWG WIRE	22526	47437
-51	175-0072-00		AR	CABLE,RF:2 CONDUCTOR	80009	175-0072-00
	175-0529-00		AR	WIRE,ELECTRICAL:26 AWG	90484	OBD
	175-0825-00		AR	WIRE,ELECTRICAL:2 WIRE RIBBON	80009	175-0825-00
	175-0826-00		AR	WIRE,ELECTRICAL:3 WIRE RIBBON	80009	175-0826-00
	175-0827-00		AR	CABLE,SP,ELEC:4,26 AWG,STRD,PVC JKT,RBN	08261	SS04267(1061)OC
	175-0828-00		AR	WIRE,ELECTRICAL:5 WIRE RIBBON	08261	OBD
	175-1020-00		AR	CABLE,RF:50 OHM COAX,WHT POLYTHN JKT	90484	DAB70JAAAWHITE
	352-0169-00		4	HLDR,TERM CONN:2 WIRE BLACK	80009	352-0169-00
	352-0169-01		1	HLDR TERM CONN:2 WIRE,BROWN	80009	352-0169-01
	352-0161-05		1	CONN BODY,PL,EL:3 WIRE GREEN	80009	352-0161-05
-52	352-0162-00		1	HLDR,TERM CONN:4 WIRE BLACK	80009	352-0162-00
	352-0163-00		1	CONN BODY,PL,EL:5 WIRE BLACK	80009	352-0163-00
-53			4	XSTR:CHAS MTG(SEE Q10,20,40,60 A11 EPL) (ATTACHING PARTS)		
-54	211-0033-00		4	SCR,ASSEM WSHR:4-40 X 0.312 PNH,STL,CD PL	83385	OBD
-55	210-0994-00		4	WASHER,FLAT:0.125 ID X 0.25" OD,STL	86928	5714-147-20N
-56	210-1291-00		4	WASHER,SHLDR:0.118 ID X 0.1 THK,PLSTC - - - * - - -	80009	210-1291-00
-57	342-0311-00		4	INSULATOR,PLATE:MICA,TO-3 PLSTC TRANSISTOR	01295	10-21-023-105
-58	214-2508-00		1	HT SK,CKT CARD: - - - * - - -	80009	214-2508-00
			1	CKT BOARD ASSY:STORGE,W/HEATSINK(SEE A12 EPL) (ATTACHING PARTS)		
-59	211-0511-00		2	SCREW,MACHINE:6-32 X 0.500,PNH,STL,CD PL - - - * - - -	83385	OBD
-60	351-0460-00		3	CKT BOARD ASSY INCLUDES: GUIDE,CKT CARD: (ATTACHING PARTS)	80009	351-0460-00
-61	211-0007-00		6	SCREW,MACHINE:4-40 X 0.188 INCH,PNH STL - - - * - - -	83385	OBD
-62			1	CKT BOARD ASSY:STORAGE(SEE A12A1 EPL) (ATTACHING PARTS)		
-63	211-0033-00		3	SCR,ASSEM WSHR:4-40 X 0.312 PNH,STL,CD PL - - - * - - -	83385	OBD
-64	131-0608-00		6	CKT BOARD ASSY INCLUDES: TERMINAL,PIN:0.365 L X 0.25 PH,BRZ,GOLD PL	22526	47357
	131-0787-00		12	CONTACT,ELEC:0.64 INCH LONG	22526	47359
-65	131-0993-00		2	BUS,CONDUCTOR:2 WIRE BLACK	00779	530153-2
-66	131-1994-00		2	CONN,RCPT,ELEC:CKT BD,10 CONTACT MALE	27264	22-16-2101
	131-1995-00		1	CONN,RCPT,ELEC:CKT BD,15 CONTACT MALE	27264	22-16-2151
-67	214-0579-00		5	TERM,TEST POINT:BRZ CD PL	80009	214-0579-00
-68			4	XSTR:CHAS MTG(SEE Q15,25,35,45 A12A1 EPL) - - - * - - -		
			4	XSTR:CHAS MTG(SEE Q55,65,75,85 A12A1 EPL) (ATTACHING PARTS)		
-69	211-0033-00		8	SCR,ASSEM WSHR:4-40 X 0.312 PNH,STL,CD PL	83385	OBD
-70	210-0994-00		8	WASHER,FLAT:0.125 ID X 0.25" OD,STL	86928	5714-147-20N
-71	210-1171-00		8	WSHR,SHOULDERED:0.116 ID X 0.138 INCH OD - - - * - - -	52905	A7148516P2

REPLACEABLE MECHANICAL PARTS

Fig. & Index No.	Tektronix Part No.	Serial/Model No. Eff Dscont	Qty	1 2 3 4 5	Name & Description	Mfr Code	Mfr Part Number
5-72	342-0451-00		8		. INSULATOR PLATE:TRANSISTOR,KAPTON	08530	OBD
-73	214-2508-00		1		. HT SK,CKT CARD:	80009	214-2508-00
-74	214-2507-00		4		PIN,GUIDE:CIRCUIT CARD (ATTACHING PARTS)	80009	214-2507-00
-75	213-0777-00		4		SCREW,TPG,TF:4-24 X 0.375 L,FLH,100 DEG - - - * - - -	93907	OBD
-76	351-0512-00		3		GUIDE,CKT BOARD:WHITE NYLON,4.89L (ATTACHING PARTS)	80009	351-0512-00
-77	354-0195-00		3		RING,RETAINING: - - - * - - -	97464	6100-12-ST-PA
-78	426-1599-00		1		FR,CKT BD MDL:ALUMINUM (ATTACHING PARTS)	80009	426-1599-00
-79	211-0504-00		4		SCREW,MACHINE:6-32 X 0.25 INCH,PNH STL - - - * - - -	83385	OBD
	198-3572-00		1		WIRE SET,ELEC:	80009	198-3572-00
-80	131-0707-00		1		. CONNECTOR,TERM.:22-26 AWG,BRS& CU BE GOLD	22526	47439
	175-0523-00		AR		. WIRE,ELECTRICAL:22 AWG,300V RMS,BLACK	90484	OBD
-81	352-0169-00		1		. HLDR,TERM CONN:2 WIRE BLACK	80009	352-0169-00
-82	-----		1		CKT BOARD ASSY:INTERCONNECT(SEE A8 EPL) (ATTACHING PARTS)		
-83	214-2506-00		12		PIN,STR,HDL:0.250 DIA X 1.450 L,AL	80009	214-2506-00
-84	211-0008-00		12		SCREW,MACHINE:4-40 X 0.25 INCH,PNH STL	83385	OBD
-85	361-0822-00		12		SPACER,SLEEVE:0.3 L X 0.148ID,AL - - - * - - -	80009	361-0822-00
	-----		-		. CKT BOARD ASSY INCLUDES:		
-86	131-0589-00		176		. TERM,PIN:0.46 L X 0.025 SQ.PH BRZ GL	22526	47350
-87	131-1976-00		1		. TERM. SET,PIN:15 MALE CONT	27264	09-60-1151
-88	334-2255-00		1		. MARKER,IDENT:DANGER 500V	80009	334-2255-00
-89	348-0417-00		1		. GROMMET,PLASTIC:0.75 INCH DIA	80009	348-0417-00
-90	441-1359-00		1		CHAS,CKT CD MDL:TEK 19 (ATTACHING PARTS)	80009	441-1359-00
-91	211-0504-00		4		SCREW,MACHINE:6-32 X 0.25 INCH,PNH STL	83385	OBD
-92	210-0201-00		1		TERMINAL,LUG:SE #4 - - - * - - -	86928	A373-157-2
-93	175-2353-00		1		CA ASSY,SP,ELEC:40,28 AWG,3.5 L,RIBBON	000E0	OBD
-94	-----		1		CKT BOARD ASSY:VECTOR GEN(SEE A9 EPL)		
-95	131-1426-00		2		. CONTACT SET,ELE:R ANGLE,0.250L,STRIP OF 36	22526	65524-136
-96	131-1425-00		2		. CONTACT SET,ELE:R ANGLE,0.150" L,STR OF 36	22526	65521-136
-97	214-0579-00		3		. TERM,TEST POINT:BRZ CD PL	80009	214-0579-00
-98	136-0578-00		2		. SOCKET,PLUG-IN:24 DIP,LOW PROFILE	73803	CS9002-24
-99	351-0460-00		2		. GUIDE,CKT CARD: (ATTACHING PARTS)	80009	351-0460-00
-100	213-0088-00		4		. SCR,TPG,THD CTG:4-24 X 0.25 INCH,PNH STL - - - * - - -	83385	OBD
-101	131-1994-00		2		. CONN,RCPT,ELEC:CKT BD,10 CONTACT MALE	27264	22-16-2101
-102	-----		1		CKT BOARD ASSY:DSPLY CONT(SEE A10 EPL)		
-103	131-1426-00		2		. CONTACT SET,ELE:R ANGLE,0.250L,STRIP OF 36	22526	65524-136
-104	131-1425-00		2		. CONTACT SET,ELE:R ANGLE,0.150" L,STR OF 36	22526	65521-136
-105	131-0608-00		15		. TERMINAL,PIN:0.365 L X 0.25 PH,BRZ,GOLD PL	22526	47357
-106	131-0993-00		1		. BUS,CONDUCTOR:2 WIRE BLACK	00779	530153-2
-107	351-0460-00		2		. GUIDE,CKT CARD: (ATTACHING PARTS)	80009	351-0460-00
-108	213-0088-00		4		. SCR,TPG,THD CTG:4-24 X 0.25 INCH,PNH STL - - - * - - -	83385	OBD
-109	131-1994-00		2		. CONN,RCPT,ELEC:CKT BD,10 CONTACT MALE	27264	22-16-2101
-110	131-2131-00		1		. CONN,RCPT,ELEC:CKT CD,5 CONT,RIGHT ANGLE	27264	22-16-2051





REPLACEABLE MECHANICAL PARTS

Fig. & Index No.	Tektronix Part No.	Serial/Model No. Eff Dscont	Qty	1 2 3 4 5	Name & Description	Mfr Code	Mfr Part Number
6-1	214-2890-00		1		HEAT SINK,ELEC:CIRCUIT BOARD,AL (ATTACHING PARTS)	80009	214-2890-00
-2	211-0514-00		4		SCREW,MACHINE:6-32 X 0.750 INCH,PNH STL - - - * - - -	83385	OBD
-3	386-4258-00		1		PANEL,REAR:TOP (ATTACHING PARTS)	80009	386-4258-00
-4	211-0008-00		2		SCREW,MACHINE:4-40 X 0.25 INCH,PNH STL - - - * - - -	83385	OBD
-5	213-0853-00		2		THUMBSCREW:0.250-20 X 4.875 X 0.25 OD (ATTACHING PARTS)	80009	213-0853-00
-6	354-0299-00		2		RING,RETAINING: - - - * - - -	79136	5133-25S-MD
-7	386-4259-00		1		PANEL,REAR:BOTTOM (ATTACHING PARTS)	80009	386-4259-00
-8	211-0008-00		2		SCREW,MACHINE:4-40 X 0.25 INCH,PNH STL - - - * - - -	83385	OBD
-9	407-1763-00		1		BRACKET,ANGLE:CRT,ALUMINUM (ATTACHING PARTS)	80009	407-1763-00
-10	211-0507-00		1		SCREW,MACHINE:6-32 X 0.312 INCH,PNH STL - - - * - - -	83385	OBD
-11	334-2255-00		1		MARKER,IDENT:DANGER 500V	80009	334-2255-00
-12	200-2353-00		1		COVER,PWR SPLY:5V,TOP,AL (ATTACHING PARTS)	80009	200-2353-00
-13	211-0008-00		2		SCREW,MACHINE:4-40 X 0.25 INCH,PNH STL - - - * - - -	83385	OBD
-14	308-0818-00		1		RES.,FXD,WW:0.005 OHM,3%,10W (ATTACHING PARTS)	91637	RH10-65/.005 3%
-15	213-0055-00		2		SCR,TPG,THD FOR:2-32 X 0.188 INCH,PNH STL - - - * - - -	93907	OBD
-16	361-0041-00		1		POST,ELEC-MECH:4-40 X 0.25 X 0.375 INCH L	80009	361-0041-00
-17	156-0285-00		1		MICROCIRCUIT,L1:VOLTAGE REGULATOR (ATTACHING PARTS)	27014	LM340T-12
-18	211-0008-00		1		SCREW,MACHINE:4-40 X 0.25 INCH,PNH STL - - - * - - -	83385	OBD
-19	-----		1		CKT BOARD ASSY:PRIMARY INTER(SEE A1 EPL) (ATTACHING PARTS)		
-20	211-0008-00		4		SCREW,MACHINE:4-40 X 0.25 INCH,PNH STL - - - * - - -	83385	OBD
-21	131-2447-00		1		. CKT BOARD ASSY INCLUDES: . CONN,RCPT,ELEC:CKT BD,4 PIN FEMALE	80009	131-2447-00
-22	131-0589-00		4		. TERM,PIN:0.46 L X 0.025 SQ.PH BRZ GL	22526	47350
-23	131-2182-00		1		. TERM. SET,PIN:1 X 5,0.156 SPACING,RTANG	27264	09-47-1052
-24	131-2265-00		1		. TERM,FEEDTHRU:10 PIN,INSULATED	80009	131-2265-00
-25	342-0486-00		1		INSULATOR,PLATE:CKT BOARD,FIBER BOARD	80009	342-0486-00
-26	342-0424-00		1		INSULATOR,FILM:HEAT SINK,PLASTIC (ATTACHING PARTS)	80009	342-0424-00
-27	211-0019-00		2		SCREW,MACHINE:4-40 X 1.0 INCH,PNH STL	83385	OBD
-28	210-1181-00		2		WASHER,SHLDR:1.22 ID X 0.20D	31223	OBD
-29	361-0020-00		2		INSULATOR,WSHR:0.156 ID X 0.078 THK TEFLON - - - * - - -	80009	361-0020-00
-30	342-0426-00		1		INSULATOR,FILM:HEAT SINK,PLASTIC (ATTACHING PARTS)	80009	342-0426-00
-31	211-0019-00		2		SCREW,MACHINE:4-40 X 1.0 INCH,PNH STL	83385	OBD
-32	210-1181-00		2		WASHER,SHLDR:1.22 ID X 0.20D	31223	OBD
-33	361-0020-00		2		INSULATOR,WSHR:0.156 ID X 0.078 THK TEFLON - - - * - - -	80009	361-0020-00
-34	175-2675-00		1		CA ASSY,SP,ELEC:2,18 AWG,2.5 L	80009	175-2675-00
-35	131-0792-00		2		. CONNECTOR,TERM:18-20 AWG,CU BE GOLD PL	22526	46221
-36	131-0948-00		2		. CONTACT,ELEC:CONNECTOR,BRASS TIN PL	27264	02-09-1103
-37	204-0826-00		1		. CONN BODY,RCPT:2 CONT,FEMALE	27264	03-09-1021
-38	352-0199-07		1		. HLD,TERM CONN:3 WIRE VIOLET	80009	352-0199-07
-39	211-0504-00		1		CKT BOARD ASSY:+5V OUT(SEE A2 EPL) (ATTACHING PARTS)		
-39	211-0504-00		6		SCREW,MACHINE:6-32 X 0.25 INCH,PNH STL - - - * - - -	83385	OBD

REPLACEABLE MECHANICAL PARTS

Fig. & Index No.	Tektronix Part No.	Serial/Model No. Eff Dscont	Qty	1	2	3	4	5	Name & Description	Mfr Code	Mfr Part Number
6-	-----		-	CKT BOARD ASSY INCLUDES:		
-40	131-2182-00		2	TERM. SET,PIN:1 X 5,0.156 SPACING,RTANG	27264	09-47-1052
-41	361-0909-00		1	SPACER,PLATE:0.562 X 1.3 X1.25 AL	80009	361-0909-00
-42	361-0908-00		1	SPACER,PLATE:0.562 X 2.4 X1.0 AL	80009	361-0908-00
-43	-----		2	DIODE:(SEE CR371,CR381 EPL)		
-44	386-3928-00		1	SUPPORT,XSTR:	80009	386-3928-00
									(ATTACHING PARTS)		
-45	211-0008-00		2	SCREW,MACHINE:4-40 X 0.25 INCH,PNH STL	83385	OBD
									-----*		
-46	342-0389-00		2	INSULATOR,PLATE:TRANSISTOR,PLASTIC	80009	342-0389-00
-47	136-0252-01		9	CONTACT,ELEC:0.178 INCH LONG	00779	1-332095-2
-48	136-0269-02		4	SOCKET,PLUG-IN:14 CONTACT,LOW CLEARANCE	01295	C95140
-49	-----		1	CONN,RCPT,ELEC:CKT BD,10 CONT,R ANGLE		
	346-0128-00		1	STRAP,TIE DOWN:0.1W X 8.0" LONG,NYLON	59730	TY-232M
	175-2436-00		1	CA ASSY,SP,ELEC:2,26 AWG,2,18 AWG,7.25 L	80009	175-2436-00
	175-0072-00		AR	CABLE,RF:2 CONDUCTOR	80009	175-0072-00
-50	200-2354-00		1	COVER,PWR SPLY:5V,REAR,AL	80009	200-2354-00
									(ATTACHING PARTS)		
-51	211-0008-00		6	SCREW,MACHINE:4-40 X 0.25 INCH,PNH STL	83385	OBD
									-----*		
-52	-----		2	CAPACITOR:(SEE C5006,C5007 EPL)		
									(ATTACHING PARTS)		
-53	211-0511-00		2	SCREW,MACHINE:6-32 X 0.500,PNH,STL,CD PL	83385	OBD
-54	210-0457-00		2	NUT,PLAIN,EXT W:6-32 X 0.312 INCH,STL	83385	OBD
									-----*		
-55	343-0064-00		2	CLAMP,LOOP:CAPACITOR MTG	80009	343-0064-00
									(ATTACHING PARTS)		
-56	210-0407-00		6	NUT,PLAIN,HEX.:6-32 X 0.25 INCH,BRS	73743	3038-0228-402
-57	210-0006-00		6	WASHER,LOCK:#6 INTL,0.018THK,STL CD PL	78189	1206-00-00-0541C
									-----*		
-58	212-0518-00		4	SCREW,MACHINE:10-32 X 0.312 INCH,PNH STL	83385	OBD
-59	334-2255-00		1	MARKER,IDENT:DANGER 500V	80009	334-2255-00
-60	343-0220-00		5	CLAMP,TIE DOWN:NYLON,SCREW MOUNT	80009	343-0220-00
									(ATTACHING PARTS)		
-61	210-0457-00		5	NUT,PLAIN,EXT W:6-32 X 0.312 INCH,STL	83385	OBD
									-----*		
	175-2670-00		1	CA ASSY,SP,ELEC:2,18 AWG,18.0 L	80009	175-2670-00
	131-2435-00		2	TERM,QIK DISC:FEMALE,18-22 AWG	80009	131-2435-00
-62	210-0303-00		2	TERMINAL,LUG:#8,RING,SOLDERLESS,CU TIN P	09922	BA16E-8
	175-2671-00		1	CA ASSY,SP,ELEC:2,18 AWG,13.0 L	80009	175-2671-00
-63	131-1678-00		2	CONTACT,ELEC:0.250 X 0.032 INCH TAB FIT	00779	61944-2
	210-0303-00		2	TERMINAL,LUG:#8,RING,SOLDERLESS,CU TIN P	09922	BA16E-8
-64	343-0549-00		2	STRAP,TIEDOWN:0.091 W X 3.62 INCH LONG	59730	TY23M
-65	-----		3	SEMICONV DEVICE:(SEE CR5003,CR5004,CR5005 EPL)		
									(ATTACHING PARTS)		
-66	211-0511-00		3	SCREW,MACHINE:6-32 X 0.500,PNH,STL,CD PL	83385	OBD
									-----*		
	175-2672-00		1	CA ASSY,SP,ELEC:4,18 AWG,17.0 L	80009	175-2672-00
-67	131-1790-00		4	CONTACT,ELEC:18-24 AWG,FEMALE,BRASS	27264	08-56-0105
	131-2435-00		4	TERM,QIK DISC:FEMALE,18-22 AWG	80009	131-2435-00
-68	204-0749-00		1	CONN BODY,PLUG:CKT CD,5 CONTW/O LKG RAMP	27264	2139-052
	175-2673-00		1	CA ASSY,SP,ELEC:3,18 AWG,13.0 L	80009	175-2673-00
-69	131-0792-00		3	CONNECTOR,TERM:18-20 AWG,CU BE GOLD PL	22526	46221
	131-1678-00		3	CONTACT,ELEC:0.250 X 0.032 INCH TAB FIT	00779	61944-2
-70	352-0201-00		1	CONN BODY,PL,EL:5 WIRE BLACK	80009	352-0201-00
-71	334-3379-02		1	MARKER,IDENT:MARKED GROUNDSYMBOL	80009	334-3379-02
-72	119-0813-00		1	SELECTOR,VOLTS:W/LINE FLTR RCPT & FUSE	02777	F65003
-73	343-0150-00		1	CLAMP,TIE DOWN:	95987	OBD
									(ATTACHING PARTS)		
-74	210-0457-00		1	NUT,PLAIN,EXT W:6-32 X 0.312 INCH,STL	83385	OBD
									-----*		
-75	343-0549-00		7	STRAP,TIEDOWN:0.091 W X 3.62 INCH LONG	59730	TY23M
	195-0481-00		1	LEAD,ELECTRICAL:18 AWG,12.0 L,5-4	80009	195-0481-00
-76	210-0202-00		1	TERMINAL,LUG:0.146 ID,LOCKING,BRZ TINNED	78189	2104-06-00-2520N
									(ATTACHING PARTS)		
-77	210-0457-00		1	NUT,PLAIN,EXT W:6-32 X 0.312 INCH,STL	83385	OBD
									-----*		

REPLACEABLE MECHANICAL PARTS

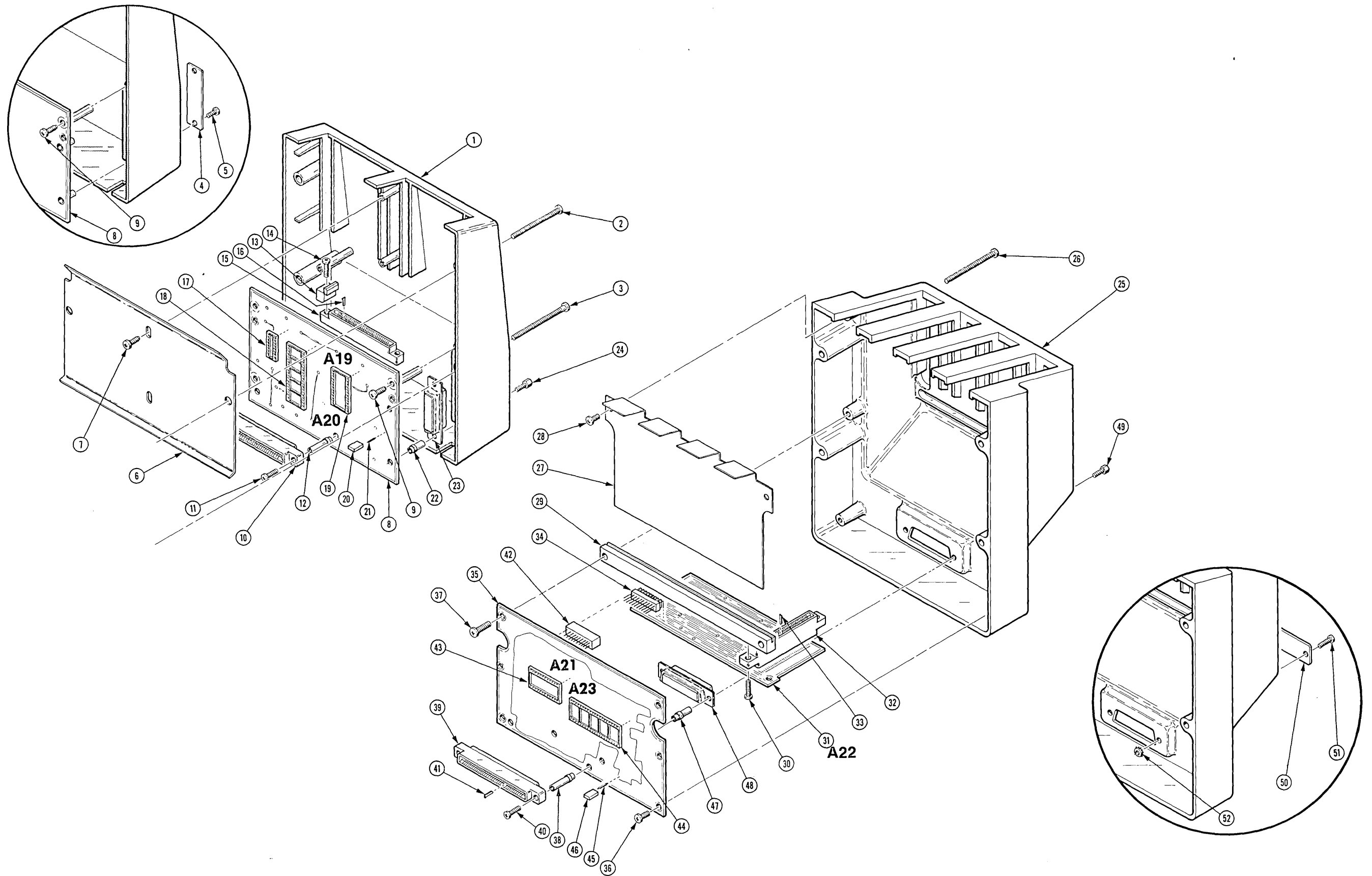
Fig. & Index No.	Tektronix Part No.	Serial/Model No. Eff Dscont	Qty	1	2	3	4	5	Name & Description	Mfr Code	Mfr Part Number
6-78	348-0145-00		2						GROMMET, PLASTIC: U-SHP, 1.0 X 0.42 INCH	80009	348-0145-00
-79	-----		1						TRANSFORMER: (SEE T5001 EPL) (ATTACHING PARTS)		
-80	212-0543-00		4						SCREW, MACHINE: 10-32 X 3.75 HEX HD	83385	OBD
-81	210-0805-00		3						WASHER, FLAT: 0.204 ID X 0.438 INCH OD, STL	12327	OBD
-82	210-0813-00		3						WSHR, SHOULDERED: # 10 FIBER	74921	OBD
-83	166-0229-00		4						INS SLV, ELEC: 0.187 ID X 3.25 INCH LONG	80009	166-0229-00
-84	343-0003-00		1						CLAMP, LOOP: 0.25 INCH DIA	95987	1-4 6R
-85	210-0863-00		1						WSHR, LOOP CLAMP: FOR 0.50" WIDE CLAMP, STL	95987	C191
-86	-----		1						TERMINAL, LUG: P/O XFMR (ATTACHING PARTS)		
-87	210-0457-00		1						NUT, PLAIN, EXT W: 6-32 X 0.312 INCH, STL	83385	OBD
-88	407-2294-00		1						BRACKET, SUPPORT: TRANSFORMER, STEEL (ATTACHING PARTS)	80009	407-2294-00
-89	210-0458-00		4						NUT, PLAIN, EXT W: 8-32 X 0.344 INCH, STL	83385	OBD
-90	-----		1						CKT BOARD ASSY: LV PWR (SEE A3 EPL) (ATTACHING PARTS)		
-91	211-0008-00		9						SCREW, MACHINE: 4-40 X 0.25 INCH, PNH STL	83385	OBD
-92	131-1816-00		2						CKT BOARD ASSY INCLUDES: TERM, QIK DISC: 0.25 X 0.315 X 0.032 DOUBLE (ATTACHING PARTS)	00779	41480
-93	211-0008-00		2						SCREW, MACHINE: 4-40 X 0.25 INCH, PNH STL	83385	OBD
-94	210-0586-00		2						NUT, PLAIN, EXT W: 4-40 X 0.25 INCH, STL	78189	211-041800-00
-95	344-0154-00		14						CLIP, ELECTRICAL: FUSE, CKT BD MT	80009	344-0154-00
-96	131-1975-00		1						TERM. SET, PIN: 12 MALE CONTACTS	27264	09-60-1121
	131-1974-00		2						TERM. SET, PIN: 5 MALE CONTACTS	000CA	09-60-1051
	131-1976-00		1						TERM. SET, PIN: 15 MALE CONT	27264	09-60-1151
-97	342-0487-00		1						INSULATOR, PLATE: CKT BOARD, FIBER SHEET	80009	342-0487-00
-98	386-4157-00		2						SUPPORT, CKT BD: ALUMINUM (ATTACHING PARTS)	80009	386-4157-00
-99	211-0503-00		2						SCREW, MACHINE: 6-32 X 0.188 INCH, PNH STL	83385	OBD
-100	361-0076-00		2						SPACER, POST: 0.65 L, W/6-32 THRU, AL, 0.25 HEX	80009	361-0076-00
-101	344-0133-00		2						CLIP, SPR, TNSN: CIRCUIT CARD MOUNTING (ATTACHING PARTS)	80009	344-0133-00
-102	210-0586-00		2						NUT, PLAIN, EXT W: 4-40 X 0.25 INCH, STL	78189	211-041800-00
-103	343-0298-00		3						CLAMP, LOOP: PLASTIC, W/ADHESIVE BACK	95987	HPC25
-104	352-0482-00		1						HOLDER, CA, TIE: 0.75 SQ, STICKY BACK, PLASTIC	06383	ABMM-A
-105	441-1481-01		1						CHAS, GRPH SYS: REAR (ATTACHING PARTS)	80009	441-1481-01
-106	212-0004-00		3						SCREW, MACHINE: 8-32 X 0.312 INCH, PNH STL	83385	OBD
106.1	212-0008-00		1						SCREW, MACHINE: 8-32 X 0.500 INCH, PNH STL	83385	OBD
106.2	343-0009-00		1						CLAMP, LOOP: 0.875 ID, PLASTIC	95987	OBD
106.3	210-0863-00		1						WSHR, LOOP CLAMP: FOR 0.50" WIDE CLAMP, STL	95987	C191
-107	211-0507-00		3						SCREW, MACHINE: 6-32 X 0.312 INCH, PNH STL	83385	OBD
-108	210-0458-00		2						NUT, PLAIN, EXT W: 8-32 X 0.344 INCH, STL	83385	OBD
	175-2684-00		1						CA ASSY, SP, ELEC: 15, 20 AWG, 17.0 L	80009	175-2684-00
-109	131-1790-00		30						CONTACT, ELEC: 18-24 AWG, FEMALE, BRASS	27264	08-56-0105
-110	204-0751-00		2						CONN BODY, PLUG: CKT CD, 15 CONT, W/O LKG RAMP	27264	09-50-3151
	175-2674-00		1						CA ASSY, SP, ELEC: 2, 18 AWG, 4.5 L	80009	175-2674-00
-111	131-0947-00		1						CONN BODY, RCPT: MALE, SNAP-IN PNL MT, 4 CONT	27264	03-09-1041
	131-0948-00		2						CONTACT, ELEC: CONNECTOR, BRASS TIN PL	27264	02-09-1103
	131-1790-00		2						CONTACT, ELEC: 18-24 AWG, FEMALE, BRASS	27264	08-56-0105
-112	131-1981-00		2						CONNECTOR, TERM.: 16-20 AWG, BRASS	91886	122-0202-019
	175-2643-00		1						CA ASSY, SP, ELEC: 6, 18 AWG, 36.0 L	80009	175-2643-00
-113	131-0792-00		6						CONNECTOR, TERM: 18-20 AWG, CU BE GOLD PL	22526	46221
-114	352-0202-00		1						HLDR, TERM CONN: 6 WIRE BLACK	80009	352-0202-00
	210-0322-00		6						TERMINAL LUG: #10, SOLDERLESS, CU TIN PL	00779	34149
-115	175-5057-00		AR						CABLE, SP, ELEC: 6, 18 AWG, RIBBON	08261	OBD
	175-2644-00		1						CA ASSY, SP, ELEC: 2, 18 AWG, 12.0 L	80009	175-2644-00
	131-0947-00		1						CONN BODY, RCPT: MALE, SNAP-IN PNL MT, 4 CONT	27264	03-09-1041
	131-0948-00		4						CONTACT, ELEC: CONNECTOR, BRASS TIN PL	27264	02-09-1103
	131-1981-00		2						CONNECTOR, TERM.: 16-20 AWG, BRASS	91886	122-0202-019
-116	175-1577-00		AR						CABLE, SP, ELEC: 4, 18 AWG, TWISTED	80009	175-1577-00

REPLACEABLE MECHANICAL PARTS

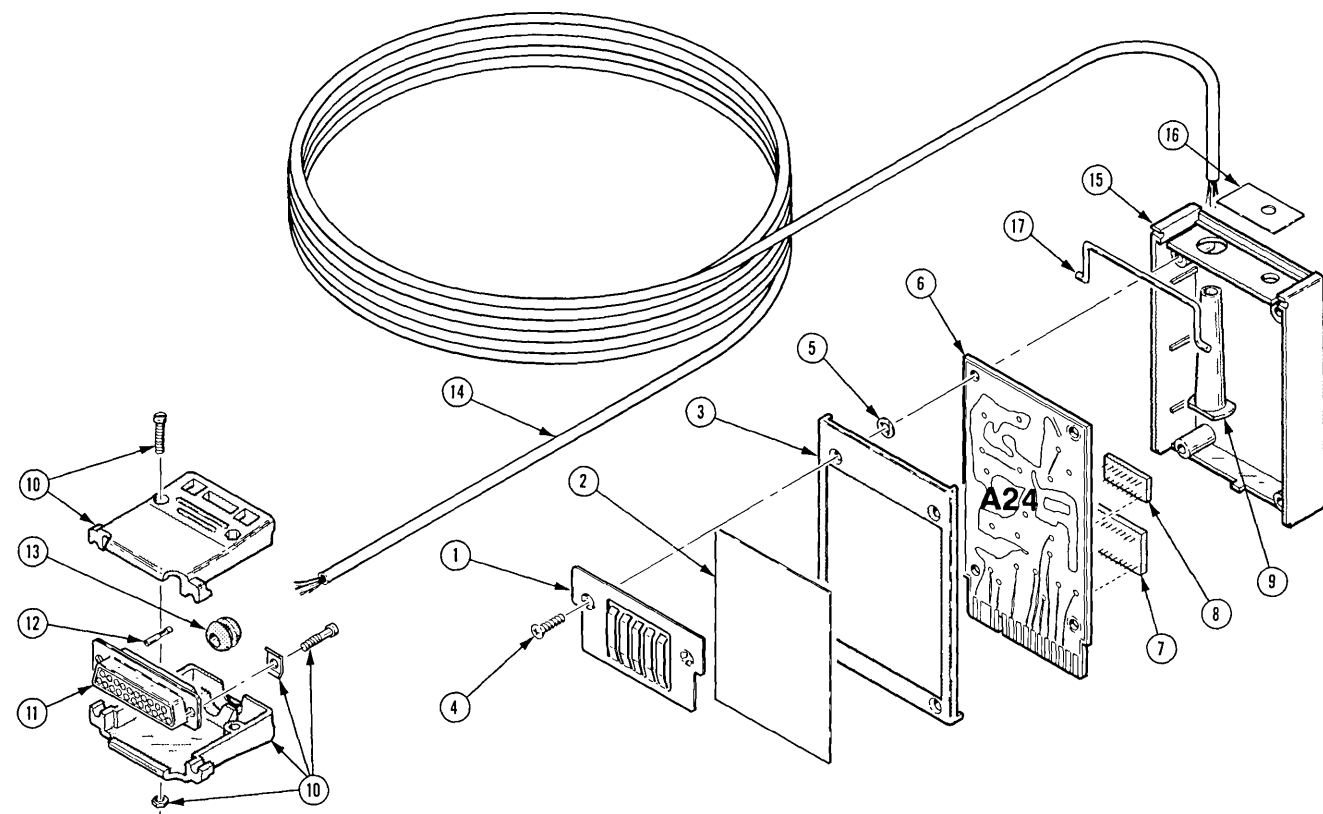
Fig. & Index No.	Tektronix Part No.	Serial/Model No. Eff Dscont	Qty	1 2 3 4 5	Name & Description	Mfr Code	Mfr Part Number
7-1	200-1851-03		1		COVER,ROM PACK:GRAY (STANDARD ONLY)	80009	200-1851-03
	200-1851-01		1		COVER,ROM PACK:PLASTIC,SILVER (OPTION 1 ONLY)	80009	200-1851-01
					(ATTACHING PARTS)		
-2	211-0530-00		2		SCREW,MACHINE:6-32 X 1.75 INCH,PNH STL	83385	OBD
-3	211-0623-00		2		SCREW,MACHINE:6-32 X 2.25 INCHES,PNH,STL	83385	OBD
					- - - * - - -		
-4	200-1887-00		1		COVER,FIRMWARE:PLASTIC (STANDARD ONLY)	80009	200-1887-00
					(ATTACHING PARTS)		
-5	211-0008-00		2		SCREW,MACHINE:4-40 X 0.25 INCH,PNH STL (STANDARD ONLY)	83385	OBD
					- - - * - - -		
-6	351-0452-01		1		GUID,ROM PACK: (ATTACHING PARTS)	80009	351-0452-01
-7	213-0054-00		2		SCR,TPG,THD FOR:6-32 X 0.312 INCH,PNH STL	93907	OBD
					- - - * - - -		
-8	-----		1		CKT BOARD ASSY:(SEE A19,A20 EPL) (ATTACHING PARTS)		
-9	213-0054-00		2		SCR,TPG,THD FOR:6-32 X 0.312 INCH,PNH STL	93907	OBD
					- - - * - - -		
-10	131-1791-00		1		. CONN,RCPT,ELEC:CKT BD,25/50 CONTACT (ATTACHING PARTS)	05574	3VH25/1JND5
-11	211-0198-00		2		. SCREW,MACHINE:4-40 X 0.438 PNH,STL,POZ	77250	OBD
					- - - * - - -		
-12	129-0248-00		2		. SPACER,POST:0.663 INCH LONG,BRS	80009	129-0248-00
-13	351-0500-00		4		. GUIDE,CKT CARD: (ATTACHING PARTS)	80009	351-0500-00
					- - - * - - -		
-14	211-0198-00		4		. SCREW,MACHINE:4-40 X 0.438 PNH,STL,POZ	77250	OBD
					- - - * - - -		
-15	131-1909-00		2		. CONN,RCPT,ELEC:CKT CD,22/44 CONT W/4-40	05574	3VH22/1JN3
-16	214-1458-00		3		. KEY,CONN PLZN:CKT BOARD	54425	091-0071-00
-17	136-0260-02		1		. SOCKET,PLUG-IN:16 CONTACT,LOW CLEARANCE (OPTION 1 ONLY)	82647	C9316-18
-18	136-0623-00		1		. SOCKET,PLUG-IN:40 DIP,LOW PROFILE (OPTION 1 ONLY)	73803	CS9002-40
-19	136-0578-00		1		. SOCKET,PLUG-IN:24 DIP,LOW PROFILE (OPTION 1 ONLY)	73803	CS9002-24
-20	131-0993-00		3		. BUS,CONDUCTOR:2 WIRE BLACK (OPTION 1 ONLY)	00779	530153-2
-21	131-0608-00		9		. TERMINAL,PIN:0.365 L X 0.25 PH,BRZ,GOLD PL (OPTION 1 ONLY)	22526	47357
-22	129-0112-00		2		. SPACER,POST:0.406 L FROM MT SEAT X 0.218 (OPTION 1 ONLY)	80009	129-0112-00
-23	131-1437-00		1		. CONN,RCPT,ELEC:25 FEMALE CONTACT (OPTION 1 ONLY)	54492	DB-25-S-F179
-24	131-0890-00		2		LOCK,CONNECTOR:4-40 X 0.312 L	71468	D 20418-2
	334-2788-01		1		OVERLAY,KYBD:MARKED DATA COMMUNICATION (OPTION 1 ONLY)	80009	334-2788-01
	175-1778-01		1		CA ASSY,SP,ELEC:34,28 AWG,2.5 L (OPTION 1 ONLY)	80009	175-1778-01
-25	200-2414-02		1		COVER,ROM PACK:4 POSITION,TEK TAN (OPTION 2 AND 3 ONLY)	80009	200-2414-02
					(ATTACHING PARTS)		
-26	211-0530-00		4		SCREW,MACHINE:6-32 X 1.75 INCH,PNH STL	83385	OBD
					- - - * - - -		
-27	351-0609-00		1		GUIDE,ROM PACK:ALUMINUM (ATTACHING PARTS)	80009	351-0609-00
-28	211-0504-00		2		SCREW,MACHINE:6-32 X 0.25 INCH,PNH STL	83385	OBD
					- - - * - - -		
-29	381-0420-00		1		BAR,SUPPORT:CONNECTOR (ATTACHING PARTS)	80009	381-0420-00
-30	211-0198-00		4		SCREW,MACHINE:4-40 X 0.438 PNH,STL,POZ	77250	OBD
					- - - * - - -		

REPLACEABLE MECHANICAL PARTS

Fig. & Index No.	Tektronix Part No.	Serial/Model No. Eff Dscont	Qty	1 2 3 4 5	Name & Description	Mfr Code	Mfr Part Number
7-31	-----		1		CKT BOARD ASSY:(SEE A22 EPL)		
-32	131-1757-01		4		. CONN,RCPT,ELEC:CKT BD,22/44 CONT	05574	3VH22/1JND5
-33	214-3005-00		4		. KEY,CONN PLZN:NYLON	80009	214-3005-00
-34	131-2514-00		3		. CONN,RCPT,ELEC:CKT BD,2 X 10 MALE	80009	131-2514-00
-35	-----		1		CKT BOARD ASSY:(SEE A21,A23 EPL) (ATTACHING PARTS)		
-36	211-0504-00		2		SCREW,MACHINE:6-32 X 0.25 INCH,PNH STL	83385	OBD
-37	211-0551-00		2		SCREW,MACHINE:6-32 X 0.562 INCH,PNH STL	83385	OBD
					- - - * - - -		
-38	129-0248-00		2		. SPACER,POST:0.663 INCH LONG,BRS	80009	129-0248-00
-39	131-1791-00		1		. CONN,RCPT,ELEC:CKT BD,25/50 CONTACT (ATTACHING PARTS)	05574	3VH25/1JND5
-40	211-0198-00		2		. SCREW,MACHINE:4-40 X 0.438 PNH,STL,POZ	77250	OBD
					- - - * - - -		
-41	214-1458-00		1		. KEY,CONN PLZN:CKT BOARD	54425	091-0071-00
-42	131-2515-00		3		. CONN,RCPT,ELEC:CKT BD,2X 10,FEMALE	00779	86418-1
-43	136-0269-02		1		. SOCKET,PLUG-IN:14 CONTACT,LOW CLEARANCE	01295	C95140
	-----		-		. (OPTION 3 ONLY)		
-44	-----		1		. SOCKET,PLUG-IN:40 DIP,LOW PROFILE		
	-----		-		. (OPTION 3 ONLY)		
-45	131-0608-00		9		. TERMINAL,PIN:0.365 L X 0.25 PH,BRZ,GOLD PL	22526	47357
	-----		-		. (OPTION 3 ONLY)		
-46	131-0993-00		3		. BUS,CONDUCTOR:2 WIRE BLACK	00779	530153-2
	-----		-		. (OPTION 3 ONLY)		
-47	129-0561-00		2		. SPACER,POST:0.535 L,W-4-40 INTL ONE END	80009	129-0561-00
	-----		-		. (OPTION 3 ONLY)		
-48	131-1437-00		1		. CONN,RCPT,ELEC:25 FEMALE CONTACT	54492	DB-25-S-F179
	-----		-		. (OPTION 3 ONLY)		
-49	131-0890-00		2		LOCK,CONNECTOR:4-40 X 0.312 L	71468	D 20418-2
	-----		-		(OPTION 3 ONLY)		
-50	200-1887-00		1		COVER,FIRMWARE:PLASTIC	80009	200-1887-00
	-----		-		(OPTION 2 ONLY)		
					(ATTACHING PARTS)		
-51	211-0097-00		2		SCREW,MACHINE:4-40 X 0.312 INCH,PNH STL	83385	OBD
	-----		-		(OPTION 2 ONLY)		
-52	210-0586-00		2		NUT,PLAIN,EXT W:4-40 X 0.25 INCH,STL	78189	211-041800-00
	-----		-		(OPTION 2 ONLY)		
					- - - * - - -		
					OPTION 2 STANDARD ACCESSORIES		
	070-2066-01		1		MANUAL,TECH:OPERATORS	80009	070-2066-01
					OPTION 1,3 STANDARD ACCESSORIES		
	012-0689-00		1		CABLE,INTCON:192.0 L	80009	012-0689-00
	013-0173-01		1		ADAPTER ASSY:SELF TEST	80009	013-0173-01
	070-2066-01		1		MANUAL,TECH:OPERATORS	80009	070-2066-01



@



REPLACEABLE MECHANICAL PARTS

Fig. & Index No.	Tektronix Part No.	Serial/Model No. Eff	Dscont	Qty	1	2	3	4	5	Name & Description	Mfr Code	Mfr Part Number
8-1	131-2442-00			1						CONTACT,ELEC:GROUNDING,PH BRZ	80009	131-2442-00
-2	334-3693-00			1						MARKER,IDENT:MKD RS232 PRINTER INTERFACE	80009	334-3693-00
-3	380-0384-01			1						HSG HALF,RDM PK:LID,ABS (ATTACHING PARTS)	80009	380-0384-01
-4	211-0102-00			4						SCREW,MACHINE:4-40 X 0.500",FLH,STL - - - - * - - - -	83385	OBD
-5	210-1333-00			2						WASHER,FLAT:0.09 ID X 0.007 THK,CU BE	80009	10-1333-00
-6	-----			1						CKT BOARD ASSY:(SEE A24 EPL)		
-7	156-0578-00			2						. MICROCIRCUIT,DI:DUAL 1 SHOT MULTIVIBRATOR	80009	156-0578-00
-8	136-0260-02			1						. SOCKET,PLUG-IN:16 CONTACT,LOW CLEARANCE	82647	C9316-18
-9	200-1042-03			1						. CABLE NIP,ELEC:0.194 ID,2.0 L,PLASTIC	80009	200-1042-03
	175-2430-00			1						. CA ASSY,SP,ELEC:7,26 AWG,3 METERS	80009	175-2430-00
-10	200-1667-00			1						. . SHLD ELEC CONN:25 CONTACT,TYPE HD SIZE 3	80009	200-1667-00
-11	131-1461-00			1						. . CONN BODY,RCPT:25 FEMALE CONTACTS	00779	205207-1
-12	131-1279-00			8						. . CONTACT,ELEC:MALE,28-24 AWG WIRE,0.040 DIA	00779	205310-4
-13	348-0020-00			1						. . GROMMET,RUBBER:0.25 INCH	70485	374
-14	175-1747-00			AR						. . CABLE,SP,ELEC:7,26 AWG,0.165 DIA	80009	175-1747-00
-15	380-0343-0304			1						. HSG HALF,PTR:INNER,ABS	80009	380-0343-03
-16	334-3638-00			1						. MARKER,IDENT:MARKED BUAD RATE	80009	334-3638-00
-17	367-0189-00			1						HANDLE,BOW:2.62 L,SST	000AQ	19964-002

OPTION 10 STANDARD ACCESSORIES

070-2908-00				1						MANUAL,TECH:INSTR,4050 SERIES OPTION 10	80009	070-2908-00
-------------	--	--	--	---	--	--	--	--	--	---	-------	-------------

REPLACEABLE MECHANICAL PARTS

Fig. & Index No.	Tektronix Part No.	Serial/Model No. Eff	Dscont	Qty	1	2	3	4	5	Name & Description	Mfr Code	Mfr Part Number
9-1	380-0384-01			1						HSG HALF,RDM PK:LID,ABS (ATTACHING PARTS)	80009	380-0384-01
-2	211-0102-00			4						SCREW,MACHINE:4-40 X 0.500",FLH,STL -----*-----	83385	OBD
-3	367-0189-00			1						HANDLE,BOW:2.62 L,SST	000AQ	19964-002
-4	380-0343-01			1						HSG HALF,PTR:INNER,ABS	80009	380-0343-01
-5	-----			1						CKT BOARD ASSY:(SEE A25,A26 EPL)		
-6	136-0578-00			1						. SOCKET,PLUG-IN:24 DIP,LOW PROFILE	73803	CS9002-24
-7	-----			1						MKR,SET,IDENT:		
	334-2954-01			5						OVERLAY,KYBD:MKD EDITOR ROM PACK	80009	334-2954-01
	-----			-						(4052R06 ONLY)		

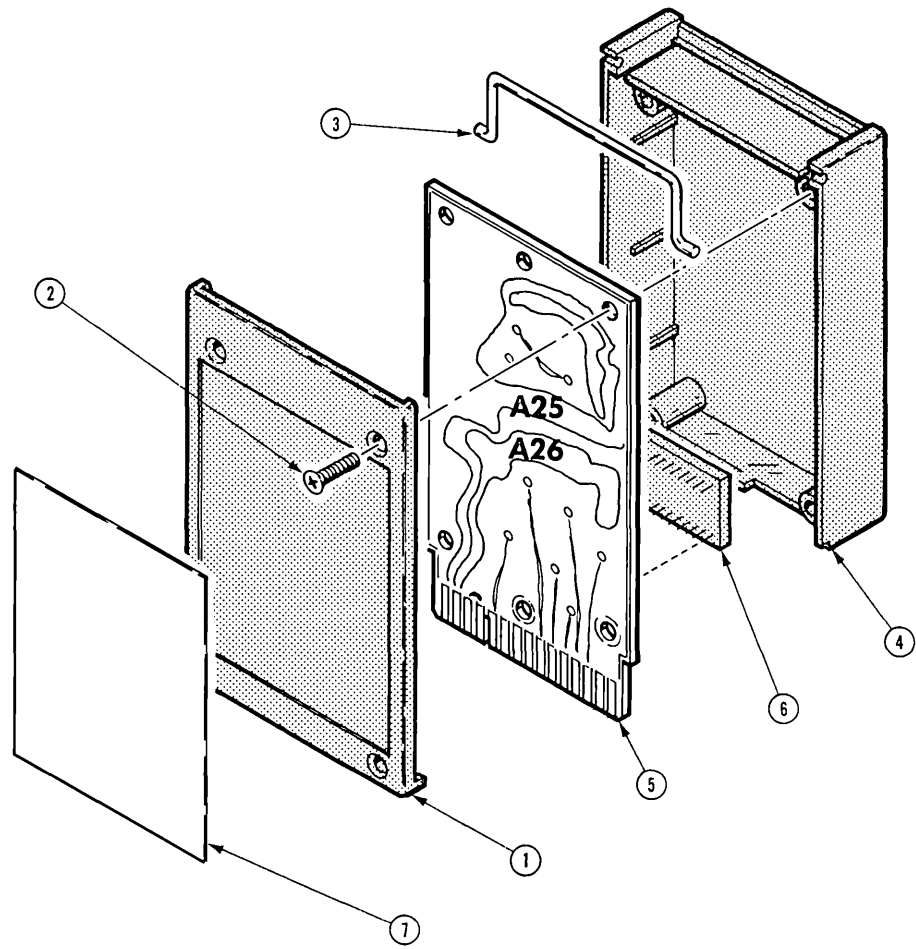


Fig. & Index No.	Tektronix Part No.	Serial/Model No. Eff Dscont	Qty	1 2 3 4 5	Name & Description	Mfr Code	Mfr Part Number
STANDARD ACCESSORIES							
	161-0066-00		1		CABLE ASSY,PWR,:3 WIRE,98 INCH LONG	80009	161-0066-00
	020-0160-02		1		TAPE CARTRIDGE:PLOT 50 SYSTEM SOFTWARE	80009	020-0160-02
	020-0160-03		1		TAPE CARTRIDGE:PLOT 50 SYSTEM SOFTWARE	80009	020-0160-03
	020-0161-02		1		TAPE CARTRIDGE:PLOT 50 SYSTEM SOFTWARE	80009	020-0161-02
	020-0161-03		1		TAPE CARTRIDGE:PLOT 50 SYSTEM SOFTWARE	80009	020-0161-03
	016-0353-00		1		BRD,LOOSE:LEAF:2.0 CAP RING,VINYL COVER	80009	016-0353-00
	016-0367-00		1		BDR,LOOSE-LEAF:2.0 CAP RING,VINYL COVER	80009	016-0367-00
	016-0369-00		1		DIV,LOOSE LEAF:6 OVERLAY POCKETS,VINYL	80009	016-0369-00
	334-3571-00		1		MARKER, IDENT:MARKED OPERATORS MANUAL	80009	334-3571-00
	334-3572-00		1		MARKER, IDENT:MARKED REFERENCE MANUAL	80009	334-3572-00
	-----		1		OVERLAY,KYBD:BLANK		
	070-1940-01		1		MANUAL,TECH:OPERATORS 4050 SERIES	80009	070-1940-01
	070-2056-01		1		MANUAL,TECH:REFERENCE 4050 SERIES	80009	070-2056-01
	070-2142-01		1		CARD INFO:REFERENCE 4050 SERIES	80009	070-2142-01
	070-2058-01		1		MANUAL,TECH:INSTRUCTION PLOT 50	80009	070-2058-01
	070-2059-01		1		MANUAL,TECH:INSTRUCTION PLOT 50	80009	070-2059-01
OPTIONAL ACCESSORIES							
	012-0630-01		1		CABLE,INTCON:2 METERS LONG	13511	AC30111102 REVC
	119-1097-00	B010100 B105979	1		CARTRIDGE,TAPE:MAGNETIC TAPE W/O LABEL	80009	119-1097-00
	119-0680-01	B105980	1		CARTRIDGE,TAPE:MAGNETIC	80009	119-0680-01
	334-2630-02		1		OVERLAY,KYBD:BLANK,PACKAGE OF TEN	80009	334-2630-02
	070-2839-00		1		MANUAL,TECH:SERVICE,4054	80009	070-2839-00

OPTIONS

OPT	ORDER NO.	DESCRIPTION
01	4052F01	FLD INSTL INTFC:DATA COMMUNICATION
02	4052F02	FIELD INSTALLED:4 SLOT ROM BACKPACK
03	4052F03	FLD INSTL INTFC:DATA COMM 4 SLOT
10	4052F10	FLD INSTL INTFC:RS232 PRINTER
24	040-0895-00	MOD KIT:MEMORY EXPANSION
48		VOLTAGE CHANGE:220V,50HZ



TEKTRONIX®

*committed to
technical excellence*

MANUAL CHANGE INFORMATION

PRODUCT 4054
070-2839-00

CHANGE REFERENCE C1/779
DATE 7-23-79

CHANGE:

DESCRIPTION

EFF ALL SN:

TEXT AND SCHEMATIC CHANGES

Page 2-4, last paragraph

CHANGE TO READ:

pin 12 (15V \pm 1%)
pin 13 (5V \pm 3%)
pin 14 (-15V \pm 5%)

Apron of Schematic 1-1

DELETE Primary Interconnect Board Component Locations illustration as it correctly appears on the apron of Schematic 6-1.

MANUAL CHANGE INFORMATION

PRODUCT 4054 Service

CHANGE REFERENCE C2/1079 (Rev)

MANUAL PART NO. 070-2839-00

DATE January 31, 1980

EFF ALL SN:

ELECTRICAL PARTS LIST CHANGE

670-5966-01 Deflection Amplifier Board

CHANGE TO READ:

A11 672-0783-02 CKT BOARD ASSY:DEFLECTION AMPLIFIER

PRODUCT 4054 GRAPHIC COMPUTING SYSTEM, Service CHANGE REFERENCE M39429
 MANUAL PART NO. 070-2839-00 DATE 3-13-80

EFF SN: B010336

REPLACEABLE ELECTRICAL PARTS AND SCHEMATIC CHANGES

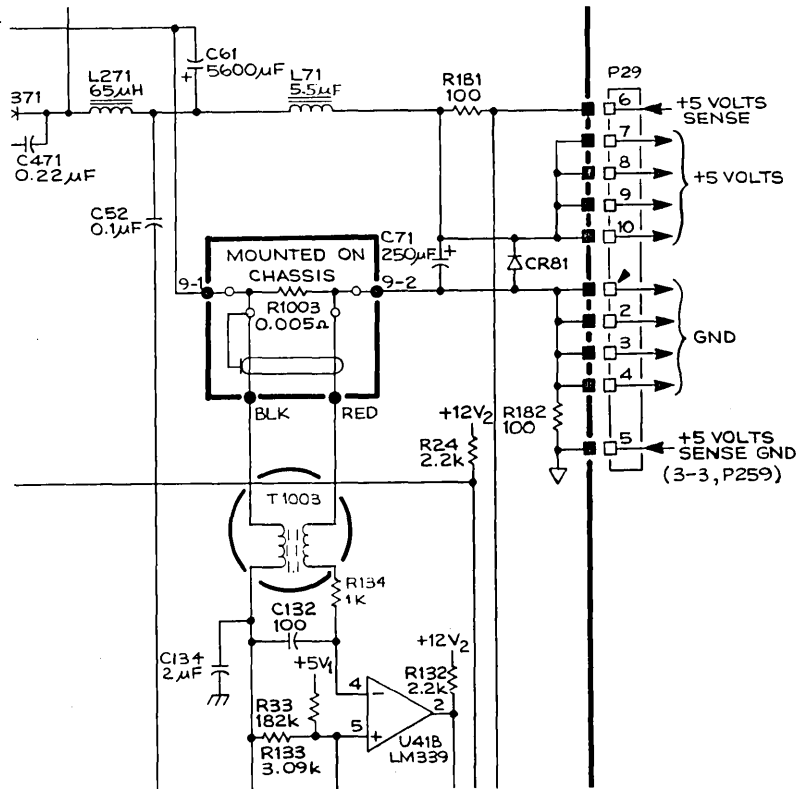
Replaceable Electrical Parts

ADD:

A2	670-5662-01	CKT BOARD,+5 OUTPUT BOARD
T1003	276-0640-00	TOROID,FERRITE CORE
C134	283-0212-00	CAPACITOR,2.0 UF

+5 VOLT OUTPUT BOARD SCHEMATIC 1-2

CHANGES AS INDICATED:



MANUAL CHANGE INFORMATION

PRODUCT 4054 GRAPHIC COMPUTING SYSTEM SERVICE CHANGE REFERENCE C5/580
MANUAL PART NO. 070-2839-00 DATE 5-19-80

EFF ALL SN

REPLACEABLE MECHANICAL PARTS LIST CHANGE

Page 7-25

CHANGE 8-15 TO READ:

-15 380-0343-04

PRODUCT 4054 GRAPHIC COMPUTING SYSTEM

CHANGE REFERENCE M37416

MANUAL PART NO. 070-2839-00

DATE 3-5-80

EFF SN: B010284

REPLACEABLE ELECTRICAL PARTS AND SCHEMATIC CHANGES

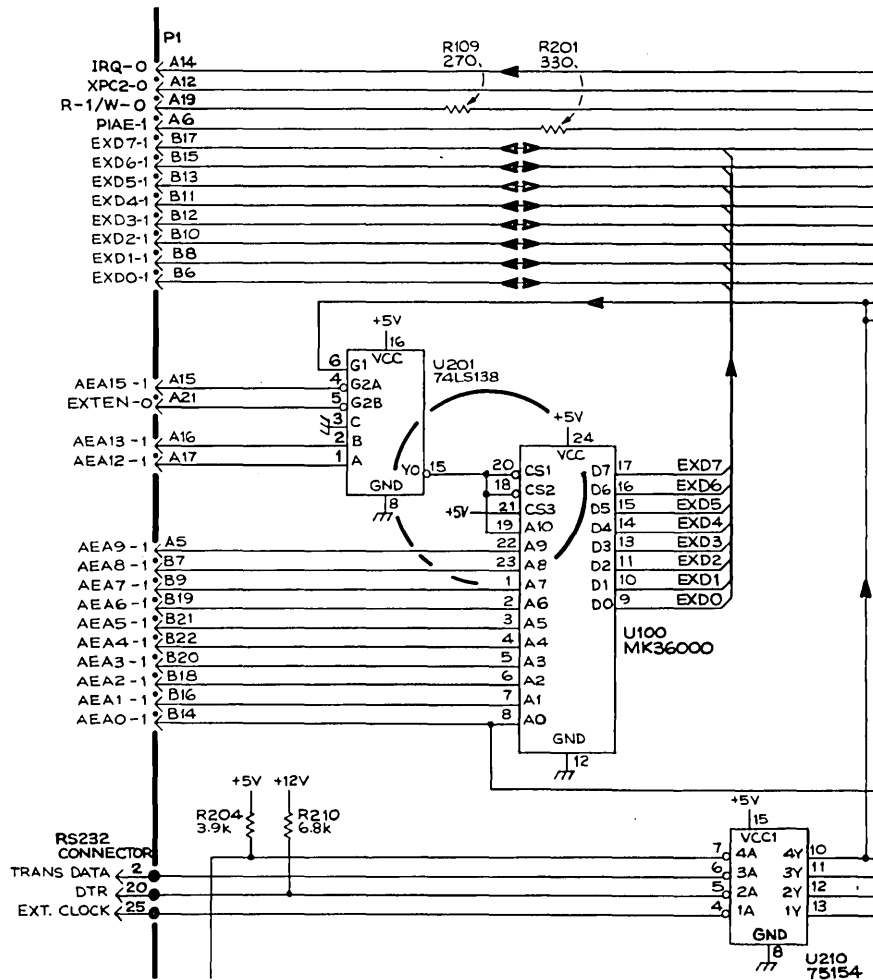
Replaceable Electrical Parts

ADD:

- A24 670-5636-02 CIRCUIT BD ASSY, OPT 10
- U100 160-0342-01 MICROCKT DGTL, 2048 X 8 ROM

4052/4054 Schematic

CHANGE AS FOLLOWS:



PRODUCT 4054 GRAPHIC COMPUTING SYSTEM SERVICE MANUAL

CHANGE REFERENCE M39369

MANUAL PART NO. 070-2839-00

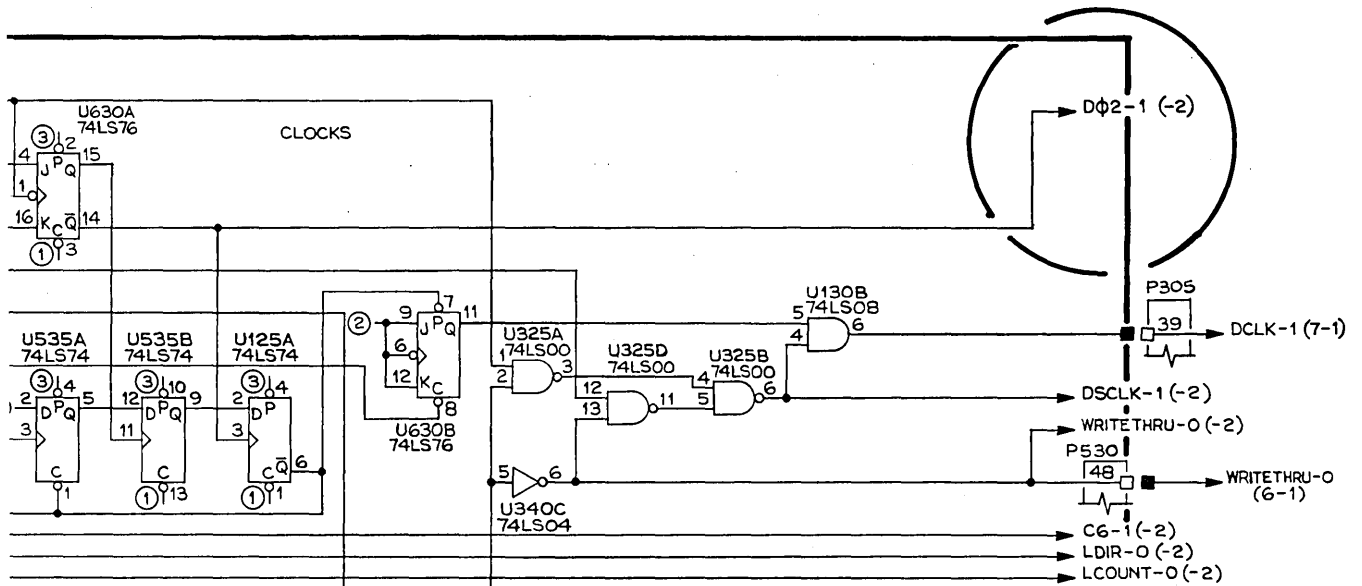
DATE 2-27-80

EFF SN: B010346

SCHEMATIC CHANGE

SCHEMATIC 8-1

CHANGE AS FOLLOWS:



PRODUCT 4054 GRAPHIC COMPUTING SYSTEM SERVICE MANUAL

CHANGE REFERENCE M39763

MANUAL PART NO. 070-2839-00

DATE 4-1-80

EFF SN: B010389

REPLACEABLE ELECTRICAL PARTS AND SCHEMATIC CHANGES

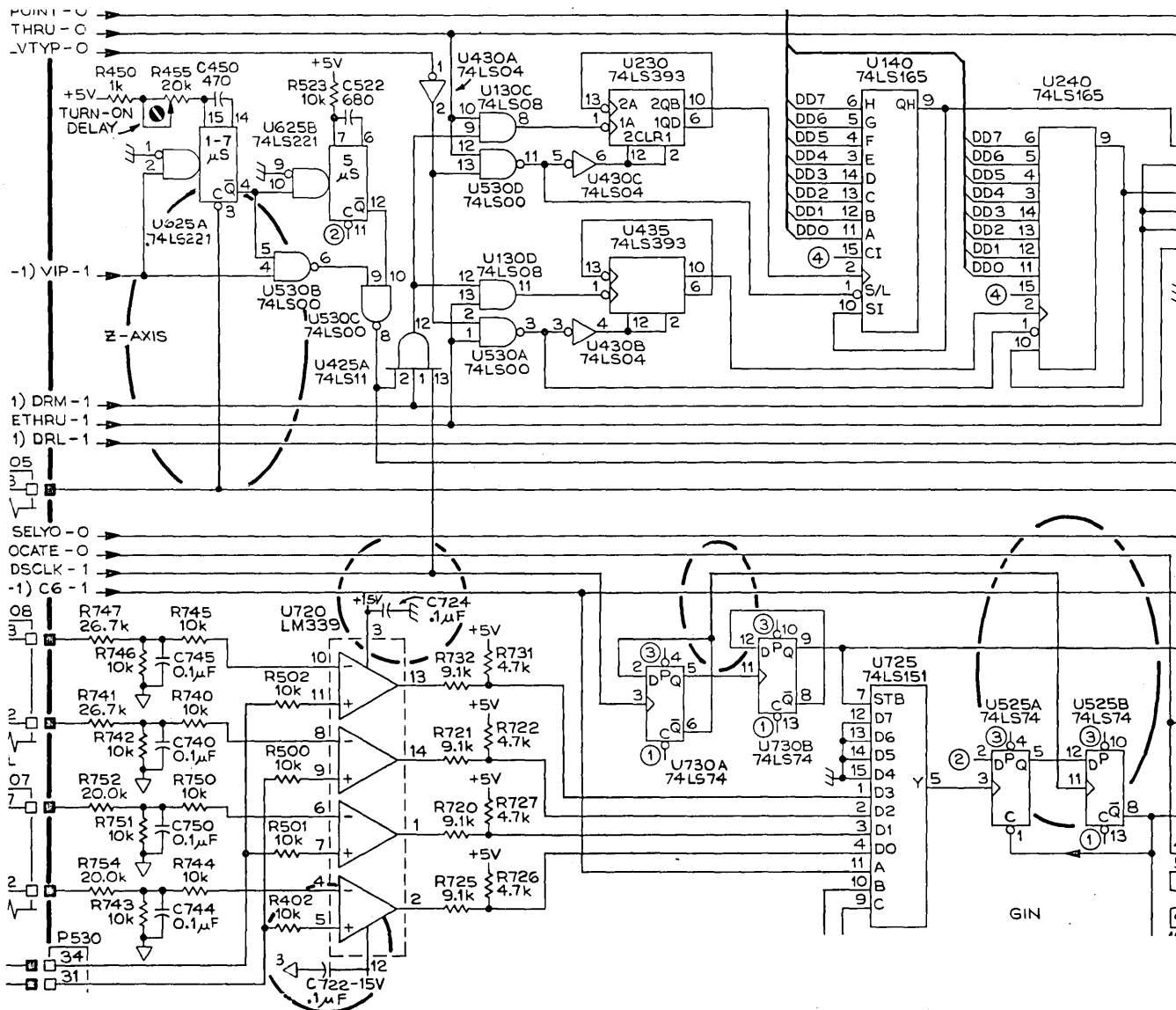
Electrical Parts List

ADD:

A10	670-5672-02	CIRCUIT BOARD, DISPLAY CONTROLLER
C722	281-0775-00	CAPACITOR,0.1UF,50V
C724	281-0775-00	CAPACITOR,0.1UF,50V

Schematic 8-2, Display Controller Board

CHANGE AS INDICATED:



MANUAL CHANGE INFORMATION

PRODUCT 4054 GRAPHIC COMPUTING SYSTEM, Service CHANGE REFERENCE M39440

MANUAL PART NO. 070-2839-00 DATE 2-21-80

EFF SN: B010316

REPLACEABLE ELECTRICAL PARTS CHANGES

ADD:

A16	670-4003-03	CIRCUIT BOARD, TAPE DRIVER
R307	321-0228-00	RESISTOR, 2.32K
R308	321-0228-00	RESISTOR, 2.32K
R309	321-0193-00	RESISTOR, 1.0K
R310	321-0193-00	RESISTOR, 1.0K